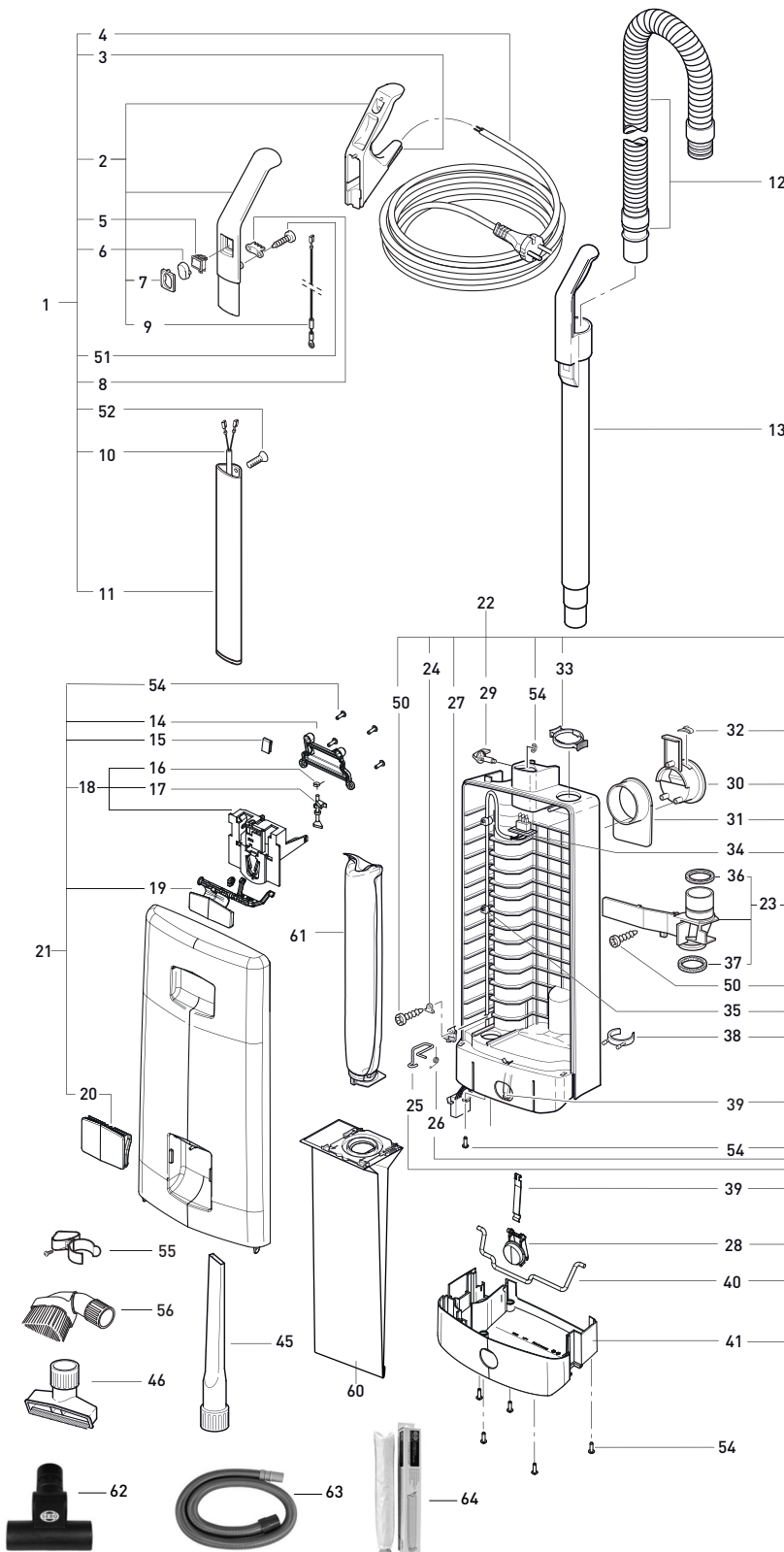


# AUTOMATIC X7 | X7 PREMIUM | X8 SCHEMATIC AND PARTS LIST

#91542AM X7 Premium Arctic White (white/gray black) #91503AM X7 Red (dark red/silver)  
 #91543AM X7 Premium Graphite (gray black/silver) #91566AM X8 Blue (dark blue/silver)  
 #91540AM X7 Premium PET Black (black/silver)



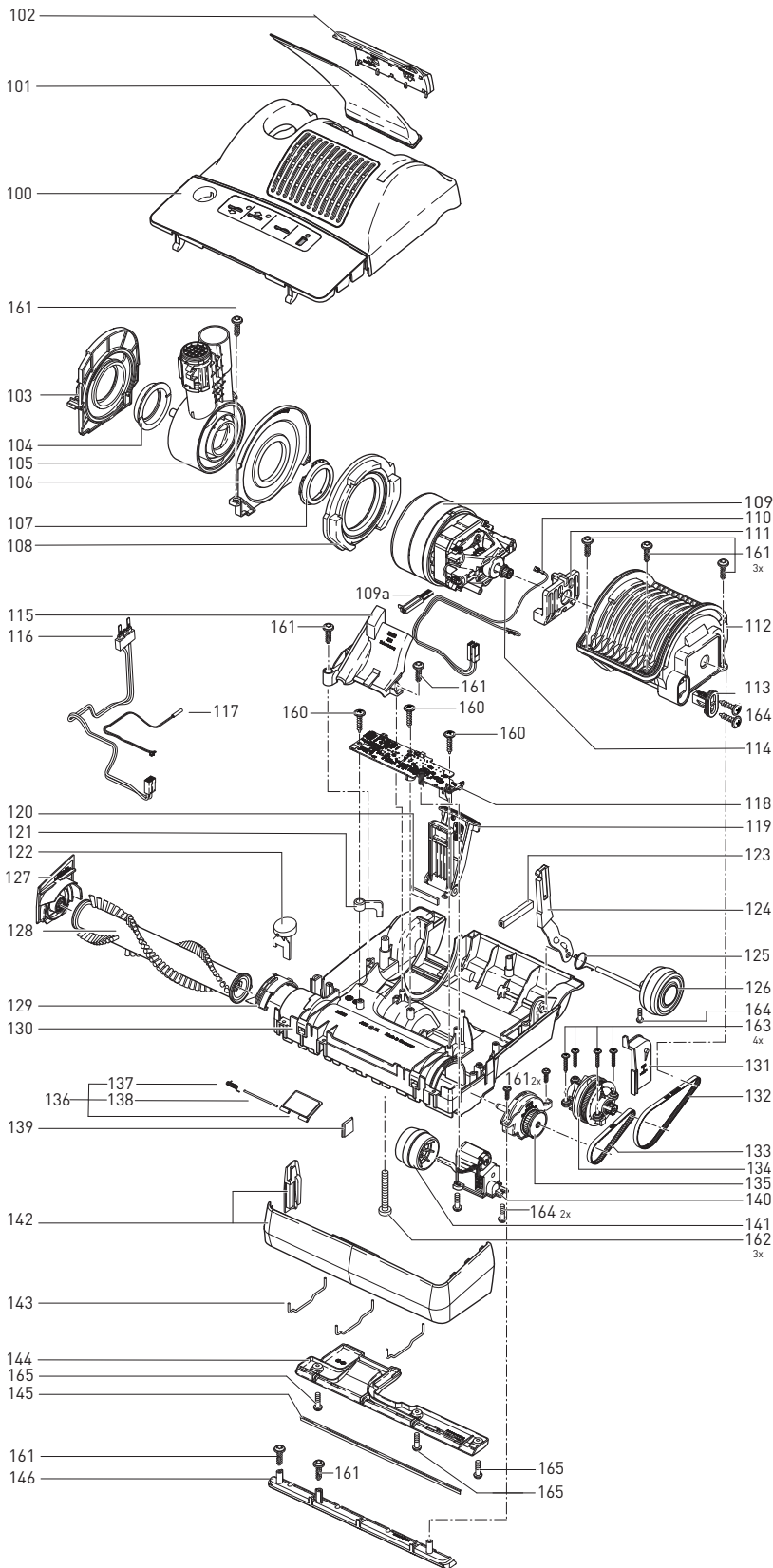
## Bag Housing and Handle

#91542AM X7 Premium Arctic White Machine		
Pos.	Part #	Description
1	5642AM	Handle complete, gray black/white
2	5297GSAM	Handle grip, gray black, incl. pos. 7+9
3	5359GS	Grommet
4	5450DG	Power supply cord
5	05113	Switch w/screws
6	5160WE	Switch cap, white
7	5161GS	Switch cap holder, gray black
8	5162	Cable clamp
9	5253UL	Wire-antistatic
10	5216ER	Handle cable
11	5187	Handle tube X
12	5040SB	Hose X, cpl., silver
13	5045GS	Cleaning wand, gray black
14	51059GS	Cover, gray black
15	5319	Bag holder spring
16	5091	Safety catch spring
17	5360	Safety catch
18	5324	Bag holder cpl., incl. pos. 16+17
19	51053SB	Cover release, silver
20	51052SB	Handle cover, silver
21	51051WESB	Front cover complete, white
22	51050WEUL	Bag housing X, cpl., white
23	5380GS	Internal cover cpl., gray black incl. pos. 40+41
24	1073	Clamp
25	5208	Filter safety catch
26	5210	Return spring
27	5164	Cable clamp
28	51003SB	Bag housing locking catch, silver
29	1859SB	Handle catch, silver
30	5721WE	Carrying handle, white
31	5703WE	Cable hook, white
32	5146	Stop spring
33	5424SB	Retaining ring, silver
34	5217ER	Internal cable
35	5266	Cable clamp
36	5842	Seat
37	5289	Seat
38	1823GS	Attachment clip, gray black
39	5084	Spring for locking rod
40	5083	Locking rod
41	51002WE	Bag housing bumper base, white
45	1092GS	Crevice nozzle, gray black
46	1491GS	Upholstery nozzle
50	0102ER	Screw F 3.9x13 DIN 7981
51	0103ER	Screw C 3.9x16 DIN 7981
52	0129ER	Screw M 4x12
53	0161ER	Clip 4, DIN 6799
54	01036ER	Screw 4x14, Torx 20
55	5460GS	Mounting clip with screw
56	1387GS	Dusting brush
60	5093AM	Ultra filter bag pack
61	5036AM	Pre-motor microfilter
#91543AM X7 Premium Graphite Machine Exceptions		
1	5644AM	Handle cpl., gray black/silver
6	5160SB	Switch cap, silver
21	51051GSSB	Front cover cpl., gray black
22	51050GSUL	Bag housing cpl., gray black
30	5721GS	Carrying handle, gray black
31	5703GS	Cable hook, gray black
41	51002GS	Bag housing bumper base, gray black
#91540AM X7 Premium PET - Black Machine Exceptions		
1	5640AM	Handle complete, black/silver
2	5295AM	Handle grip black, incl. pos. 7+9
3	5359SW	Grommet, black
6	5160SB	Switch cap, silver
7	5161SW	Switch cap holder, black
13	5045SW	Cleaning wand, black
21	51051SWSB	Front cover cpl., black
22	51050SWUL	Bag housing X cpl., black
23	5380SW	Internal cover, incl. pos. 40+41
30	5721SW	Carrying handle, black
31	5703SW	Cable hook, black
38	1823SW	Attachment clip, black
41	51002SW	Bag housing bumper base, black
45	1092SW	Crevice nozzle, black
46	1491SW	Upholstery nozzle, black
62	6179ER	Hand-held turbo brush
63	1495AM	Extension hose
64	5425AM	Anti-odor charcoal microfilter
#91503AM X7 Red Machine Exceptions		
1	5644AM	Handle cpl., gray black/silver
6	5160SB	Switch cap, silver
21	51051DRSB	Front cover cpl., dark red
22	51050DRUL	Bag housing cpl., dark red/gray black
30	5721DR	Carrying handle, dark red
31	5703DR	Cable hook, dark red
41	51002GS	Bag housing bumper base, gray black

#91566AM X8 Blue Machine Exceptions		
1	5644AM	Handle complete, gray black/silver
6	5160SB	Switch cap, silver
21	51051DBSB	Front cover cpl., dark blue
22	51050DBUL	Bag housing cpl., dark blue
30	5721DB	Carrying handle, dark blue
31	5703DB	Cable hook, dark blue
41	51002DB	Bag housing bumper base, dark blue

# AUTOMATIC X7 SCHEMATIC AND PARTS LIST

#91503AM X7 Red (dark red/silver)



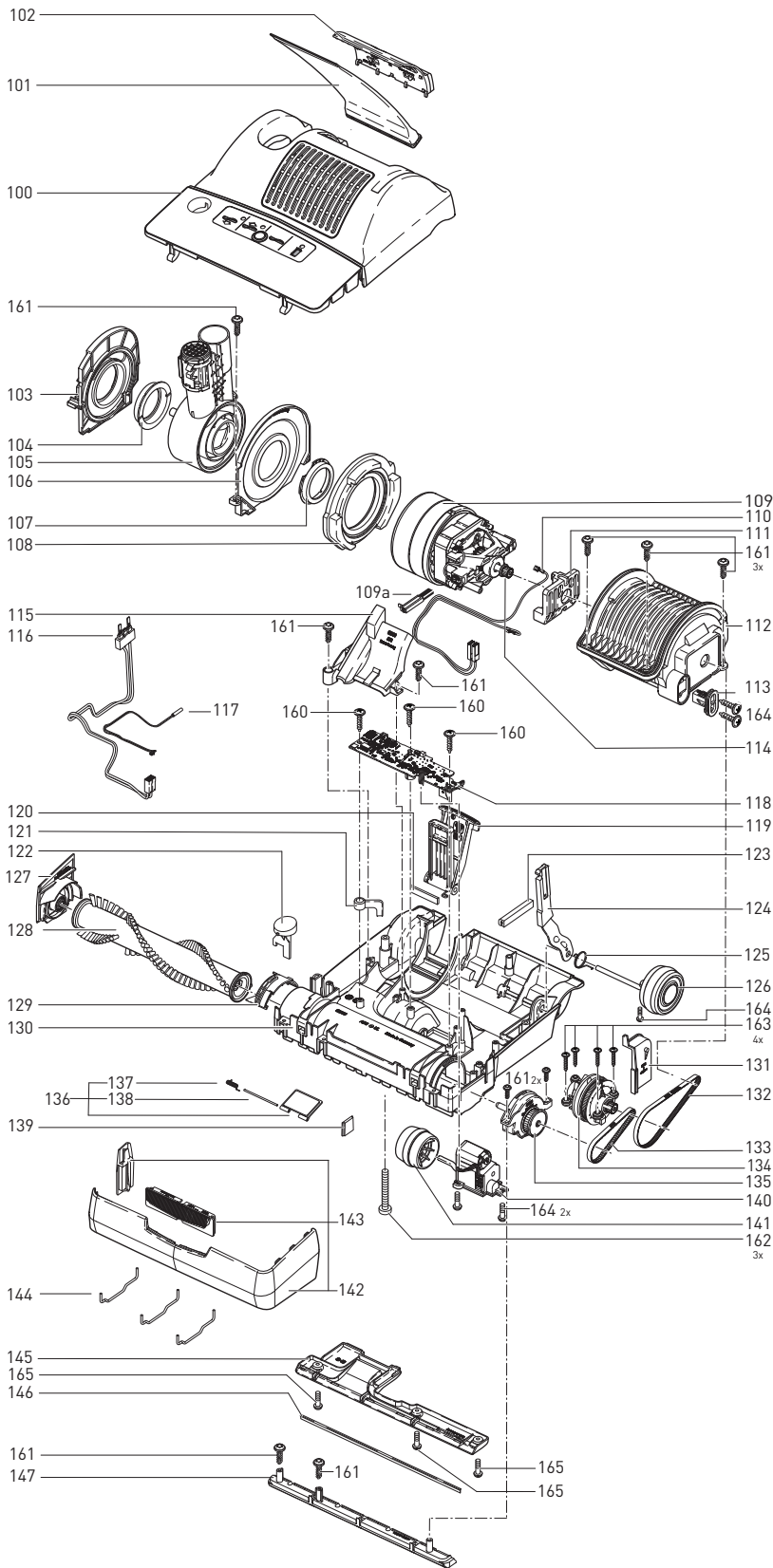
## Power Head

#91503AM X7 Red Machine

Pos.	Part #	Description
100	52136DRSE	Power head cover, cpl., dark red/silver
101	52038ER	Exhaust filter
102	52029DR	Exhaust filter cover, cpl., dark red
103	52018ER	Swivel neck support r. h.
104	5101	Swivel neck bearing r. h.
105	52023ER	Swivel neck assembly, cpl.
106	52020ER	Swivel neck support l. h.
107	5717	Swivel neck bearing l. h.
108	52013	Motor support seal, DOMEL
109	52194ER	Vacuum motor 120V/12 amps
109a	05117S	Carbon brush set
110	52040ER	Cable set motor
111	5100	Rubber mounting, DOMEL
112	52059UL	Motor housing
113	52011ER	Belt adjust, cpl.
114	5462	Motor pulley 2MR
115	52115ER	Cover for air channel
116	52199ER	Cable set swivel neck, incl. connector support
117	52103	Reed switch swivel neck support
118	5870ER	PCB power supply/controller X7/8 100-120V
119	52009OR	Foot pedal, cpl., orange
120	52052	Felt strip
121	52054	Cable guide
122	52034DR	Brush roller release knob r.h., dark red
123	52112	Buffer motor housing
124	52021ER	Support lever
125	5107-1	Support spring
126	52102GS	Wheel, cpl. with axle
127	52032GS	Bearing block r.h., gray black
128	5010AM	Brush roller, blue bristles
129	52033ER	Brush roller release ring with spring
130	52195GS	Chassis X7 cpl., gray black, incl. pos. 120+123 w/out bumper
131	5112SW	Motor pulley cover
132	5463	Belt 2MR-310-6
133	5110	Belt 219 3M HTDII-6
134	52108	Sensor, cpl.
135	52111ER	Bearing block l. h., cpl.
136	5172OR	Access door, incl. pos. 137+138, orange
137	5304	Access door spring
138	5303	Access door axle
139	5155GS	Rubbing plate
140	5060ER	Servo motor with gear box
141	5174GS	Pile adjustment wheel
142	52050GS	Bumper set, X7, gray black
143	5402	Wire tie
144	52110GS	Rear bottom plate X7, cpl., incl. pos. 145+160
145	5400-1	Sealing strip
146	50404GSER	Front bottom plate X7, cpl.
160	01029ER	Screw C2, 9x13
161	01016ER	AMTEC screw, 4.0x16 TORX 20
162	0176ER	Screw AM 4x30 DIN 7985TL
163	0104ER	Screw C 3.9x25 DIN 7981
164	0102ER	Screw F 3.9x13 DIN 7981
165	0197ER	Screw M 4x12 Z1

# AUTOMATIC X7 PREMIUM SCHEMATIC AND PARTS LIST

- #91542AM X7 Premium Arctic White (white/gray)
- #91543AM X7 Premium Graphite (gray black/silver)
- #91540AM X7 Premium PET Black (black/silver)



## Power Head

### #91542AM Premium Arctic White Machine

Pos.	Part #	Description
100	52126WEAM	Power head cover, cpl. white/silver
101	52038ER	Exhaust filter
102	52029WE	Exhaust filter cover, cpl., white
103	52018ER	Swivel neck support r. h.
104	5101	Swivel neck bearing r. h.
105	52023ER	Swivel neck assembly, cpl.
106	52020ER	Swivel neck support l. h.
107	5717	Swivel neck bearing l. h.
108	52013	Motor support seal, DOMEL
109	52194ER	Vacuum motor 120V/12 amps
109a	05117S	Carbon brush set
110	52040ER	Cable set motor
111	5100	Rubber mounting, DOMEL
112	52059UL	Motor housing
113	52011ER	Belt adjust, cpl.
114	5462	Motor pulley 2MR
115	52115ER	Cover for air channel
116	52199ER	Cable set swivel neck, incl. connector support
117	52103	Reed switch swivel neck support
118	5870ER	PCB power supply/controller X7/8 100-120V
119	52009OR	Foot pedal, cpl., orange
120	52052	Felt strip
121	52054	Cable guide
122	52034WE	Brush roller release knob r.h., white
123	52112	Buffer motor housing
124	52021ER	Support lever
125	5107-1	Support spring
126	52102GS	Wheel, cpl. with axle
127	52032GS	Bearing block r.h., gray black
128	5010AM	Brush roller, blue bristles
129	52033ER	Brush roller release ring with spring
130	52195GS	Chassis X7 cpl., gray black, incl. pos. 120+123 w/out bumper
131	5112SW	Motor pulley cover
132	5463	Belt 2MR-310-6
133	5110	Belt 219 3M HTDII-6
134	52108	Sensor, cpl.
135	52111ER	Bearing block l. h., cpl.
136	5172OR	Access door, incl. pos. 137+138, orange
137	5304	Access door spring
138	5303	Access door axle
139	5155GS	Rubbing plate
140	5060ER	Servo motor with gear box
141	5174GS	Pile adjustment wheel
142	52002GS	Bumper set, X7 LED, gray black
143	52016ER	LED assembly, cpl.
144	5402	Wire tie
145	52110GS	Rear bottom plate, X7 cpl., incl. pos. 145+160
146	5400-1	Sealing strip
147	50404GSER	Front bottom plate X7 cpl.
160	01029ER	Screw C2, 9x13
161	01016ER	AMTEC screw, 4.0x16 TORX 20
162	0176ER	Screw AM 4x30 DIN 7985TL
163	0104ER	Screw C 3.9x25 DIN 7981
164	0102ER	Screw F 3.9x13 DIN 7981
165	0197ER	Screw M 4x12 Z1

### #91543AM X7 Premium Graphite Machine Exceptions

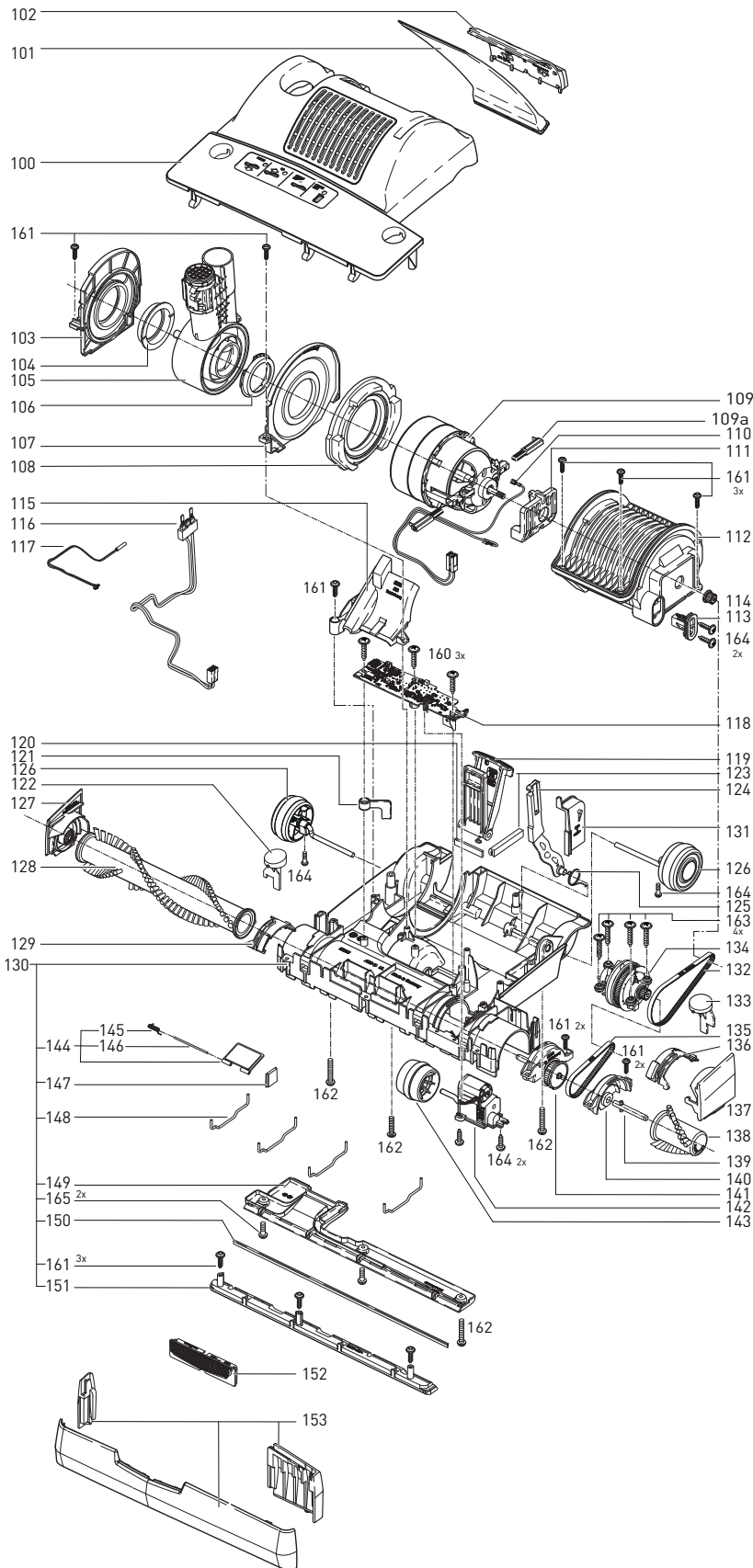
100	52126GSAM	Power head cover, cpl., gray black/silver
102	52029GS	Exhaust filter cover, cpl., gray black
122	52034GS	Brush roller release knob, r.h., gray black

### #91540AM X7 Premium PET Black Machine Exceptions

100	52126SWAM	Power head cover, cpl., black/silver
102	52029SW	Exhaust filter cover, cpl., black
122	52034SW	Brush roller release knob, r.h., black
126	52102SW	Wheel, cpl. with axle, black

# AUTOMATIC X8 SCHEMATIC AND PARTS LIST

#91566AM X8 Blue (dark blue/silver)



## Power Head

### #91566AM X8 Blue Machine

Pos.	Part #	Description
100	52122DBSE	Power head cover, cpl., dark blue/silver
101	52038ER	Exhaust filter
102	52029DB	Exhaust filter cover, cpl., dark blue
103	52018ER	Swivel neck support r. h.
104	5101	Swivel neck bearing r. h.
105	52023ER	Swivel neck assembly X7 cpl.
106	52020ER	Swivel neck support l. h.
107	5717	Swivel neck bearing l. h.
108	52013	Motor support seal
109	52194ER	Vacuum motor 120V/12 amps
109a	05117S	Carbon brush set
110	52040ER	Cable set motor, 2-wire
111	5100	Rubber mounting
112	52059UL	Motor housing
113	52011ER	Belt adjust, complete
114	5462	Motor pulley
115	52115ER	Cover for air channel
116	52199ER	Cable set swivel neck, incl. connector support
117	52103	Reed switch swivel neck X-2017
118	5870ER	PCB power supply/controller X-2017, 100-120V
119	52009OR	Foot pedal, cpl., orange
120	52052	Felt strip
121	52054	Cable guide
122	52034DB	Brush roller release knob r.h., dark blue
123	52112	Buffer motor housing
124	52021ER	Support lever
125	5107-1	Support spring
126	52102GS	Wheel, cpl. with axle, gray black
127	52032GS	Bearing block r.h., gray black
128	5290AM	Brush roller set X8, blue bristles
129	52033ER	Brush roller release ring r.h. with spring
130	52196GS	Chassis X8 cpl., gray black, incl. pos. 120+123 w/o bumper
131	5112SW	Motor pulley cover
132	5463	Belt 2MR-310-6
133	52224DB	Brush roller release knob l.h., dark blue
134	52198	Sensor X8, cpl.
135	5110	Belt 219 3M HTDII-6
136	52248ER	Brush roller release ring l.h., w/spring
137	52134GS	Brush cover l.h.X8, gray black
138	5250ER	Edge brush X8, blue bristles
139	5237	Shaft extension, cpl.
140	52131	Sealed bearing X8
141	52121	Bearing block l. h., cpl.
142	5060ER	Servo motor with gear box
143	5174GS	Pile adjustment wheel
144	51510R	Access door cpl., incl. pos. 145+146, orange
145	5304	Access door spring
146	5303	Access door axle
147	5155GS	Rubbing plate
148	5402	Wire tie
149	52120GS	Rear bottom plate, X8 cpl., incl. pos. 150+165
150	5400-2	Sealing strip
151	52118GS	Front bottom plate X8 cpl.
152	52016ER	LED assembly, cpl.
153	52203GS	Bumper set X8 LED, 3 pcs., gray black
160	01029ER	Screw C2, 9x13
161	01016ER	AMTEC screw, 4.0x16 TORX 20
162	0176ER	Screw AM 4x30 DIN 7985 TL
163	0104ER	Screw C 3.9x25 DIN 7981
164	0102ER	Screw F 3.9x13 DIN 7981
165	0197ER	Screw M 4x12 Z1