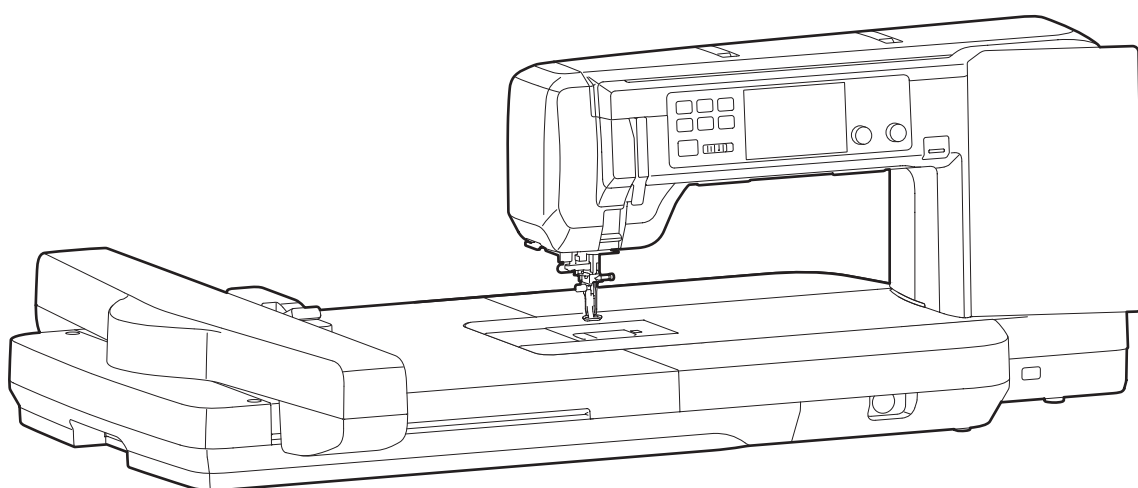


Instruction Book

Continental M17

[Embroidery]



Before You Use the Machine

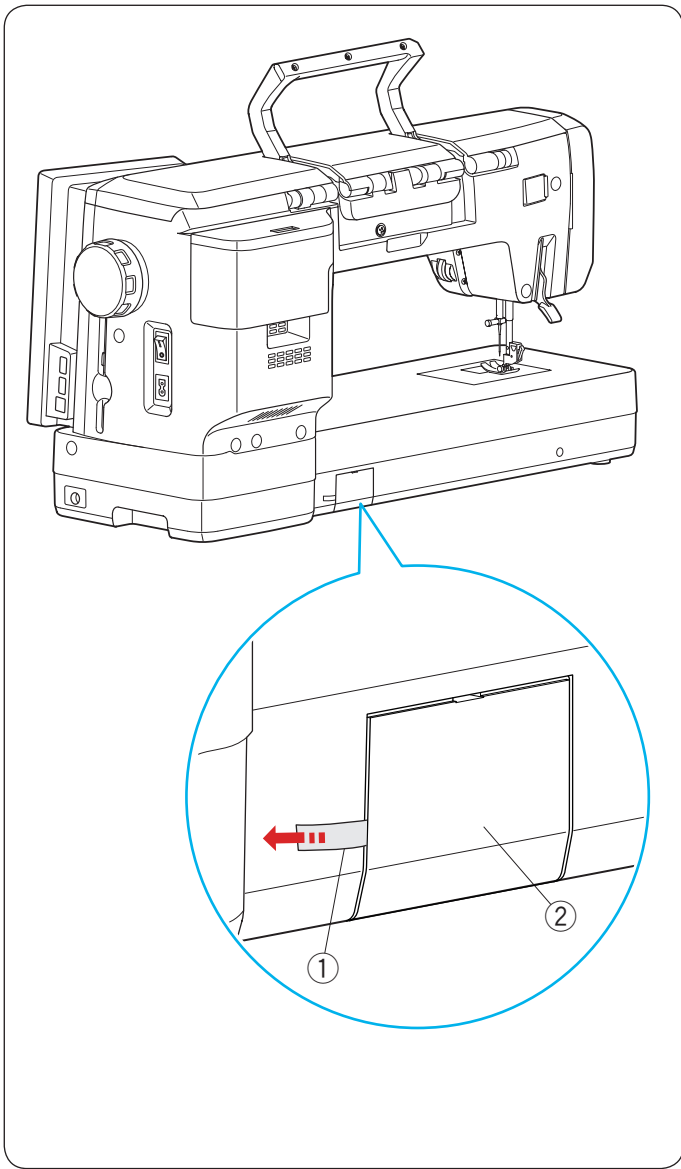
WARNING:

This product contains a lithium button/coin cell battery. If a new or used lithium button/coin cell battery is swallowed or enters the body, it can cause severe internal burns and can lead to death in as little as 2 hours. Always completely secure the battery compartment. If the battery compartment does not close securely, stop using the product, remove the batteries, and keep it away from children. If you think batteries might have been swallowed or placed inside any part of the body, seek immediate medical attention.

When you start the machine for the first time, be sure to remove the tape from the battery cover on the rear side of the machine.

- ① Tape
- ② Battery cover

Set the clock after removing the tape from the battery cover (refer to page 98).



IMPORTANT SAFETY INSTRUCTIONS

When using an electrical appliance, basic safety precautions should always be followed, including the following:

This sewing machine is designed and manufactured for household use only.
Read all instructions before using this sewing machine.

DANGER — To reduce the risk of electric shock:

1. An appliance should never be left unattended when plugged in. Always unplug this sewing machine from the electric outlet immediately after using and before cleaning.

WARNING — To reduce the risk of burns, fire, electric shock, or injury to persons:

1. Do not allow to be used as a toy. Close attention is necessary when this sewing machine is used by or near children.
2. Use this appliance only for its intended use as described in this owner's manual. Use only attachments recommended by the manufacturer as contained in this owner's manual.
3. Never operate this sewing machine if it has a damaged cord or plug, if it is not working properly, if it has been dropped or damaged, or dropped into water.
Return this sewing machine to the nearest authorized dealer or service center for examination, repair, electrical or mechanical adjustment.
4. Never operate the appliance with any air opening blocked. Keep ventilation openings of this sewing machine and foot controller free from accumulation of lint, dust and loose cloth.
5. Never drop or insert any object into any opening.
6. Do not use outdoors.
7. Do not operate where aerosol (spray) products are being used or where oxygen is being administered.
8. To disconnect, turn all controls to the off ("O") position, then remove plug from outlet.
9. Do not unplug by pulling on cord. To unplug, grasp the plug, not the cord.
10. Keep fingers away from all moving parts. Special care is required around the sewing machine needle and/or cutting blade.
11. Always use the proper needle plate. The wrong plate can cause the needle to break.
12. Do not use bent needles.
13. Do not pull or push fabric while stitching. It may deflect the needle causing it to break.
14. Switch this sewing machine off ("O") when making any adjustment in the needle area, such as threading the needle, changing the needle, threading the bobbin or changing the presser foot, and the like.
15. Always unplug this sewing machine from the electrical outlet when removing covers, lubricating, or when making any other adjustments mentioned in this owner's manual.

SAVE THESE INSTRUCTIONS

For Europe only:

This appliance can be used by children aged from 8 years and above and persons with reduced physical, sensory or mental capabilities or lack of experience and knowledge if they have been given supervision or instruction concerning use of the appliance in a safe way and understand the hazards involved. Children shall not play with the appliance. Cleaning and user maintenance shall not be made by children without supervision.

For outside Europe (except U.S.A.):

This appliance is not intended for use by persons (including children) with reduced physical, sensory or mental capabilities, or lack of experience and knowledge, unless they have been given supervision or instruction concerning use of the appliance by a person responsible for their safety. Children should be supervised to ensure that they do not play with the appliance.



Please note that on disposal, this product must be safely recycled in accordance with relevant National legislation relating to electrical/electronic products. If in doubt please contact your retailer for guidance. (EEA (European Economic Area) and UK)

FCC Caution

Changes or modifications not expressly approved by the party responsible for compliance could void the user's authority to operate the equipment.

NOTE: This equipment has been tested and found to comply with the limits for a Class B digital device, pursuant to part 15 of the FCC Rules. These limits are designed to provide reasonable protection against harmful interference in a residential installation. This equipment generates, uses and can radiate radio frequency energy and, if not installed and used in accordance with the instructions, may cause harmful interference to radio communications. However, there is no guarantee that interference will not occur in a particular installation. If this equipment does cause harmful interference to radio or television reception, which can be determined by turning the equipment off and on, the user is encouraged to try to correct the interference by one or more of the following measures:

- Reorient or relocate the receiving antenna.
- Increase the separation between the equipment and receiver.
- Connect the equipment into an outlet on a circuit different from that to which the receiver is connected.
- Consult the dealer or an experienced radio/TV technician for help.

This transmitter must not be co-located or operated in conjunction with any other antenna or transmitter.

IC (Industry Canada) Notice

This device complies with Industry Canada licence-exempt RSS standard(s).

Operation is subject to the following two conditions:

(1) this device may not cause interference, and (2) this device must accept any interference, including interference that may cause undesired operation of the device.

Directive 1999/5/EC

Hereby, JANOME Corporation, declares that this Continental M17 is in compliance with the essential requirements and other relevant provisions of Directive 1999/5/EC.

TABLE OF CONTENTS

ESSENTIAL PARTS

Names of Parts.....	3-4
Standard Accessories.....	4-7
Accessory Storage	8
How to Carry the Sewing Machine	8

GETTING READY TO SEW

Connecting the Power Supply	9
Controlling Sewing Speed	10
Machine Operating Buttons.....	11
Top Cover Release Button.....	12
Pop Up Spool Pins Lever	12
Bobbin Winding Button.....	12
Thumb Wheel	12
Common Keys	13
On-screen Help	14
Raising and Lowering the Presser Foot	15
Removing the Foot Holder.....	16
Attaching the Embroidery Foot.....	17-19
Attaching couching foot PC-1 or PC-2	17
Attaching positioning marker embroidery foot PM.....	18
Connecting positioning marker embroidery foot PM ...	18
Adjusting the LED pointer for positioning marker embroidery foot PM	19
Bobbin Holder for Embroidery (high tension)	20
Selecting Embroidery Thread	20
Replacing Needles	21
Fabric and Needle Chart for Embroidery.....	21
Attaching the Straight Stitch Needle Plate.....	22
Winding the Bobbin	23-25
Inserting the Bobbin.....	26
Threading the Machine.....	27-28
Automatic Needle Threader.....	29
Drawing up the Bobbin Thread.....	30

EMBROIDERY MODE

Embroidery Unit.....	31-34
Attaching the embroidery unit.....	31-32
Attaching the embroidery tables.....	32-33
Attaching and removing the embroidery tables	33
Removing the embroidery unit and embroidery tables ...	34
Embroidery Hoops.....	35
Stabilizers.....	36-37
Types of the stabilizers	36
Using water soluble stabilizers (non-woven)	37
Setting the Fabric in an Embroidery Hoop.....	38-39
Attaching the Embroidery Hoop to the Machine	40
Thread Holder.....	40
Selecting Built-in Embroidery Designs	41-43
Monogramming.....	44-48
Function keys	45
Programming a monogram.....	46
Monogram placement.....	46
2-Letter monogram.....	47
Editing a monogram	48
Ready to Sew Window	49-55
Function keys	49
Pattern information	49
Stitch back/forward keys	50

Jump key	50
Cross key	50
Color section key	50
Color list key	50
Jog keys	50
Trace key.....	51-52
Adjust key.....	53
Hoop back key.....	54
Embroidery foot key	54
Embroidery mode key	54
Fine position/angle adjustment key	55
Starting to Sew Embroidery.....	56
Fringe Designs	57-58
Frame Design	59
Applique Designs.....	60
Bracelet Designs	61
Stuffed Doll Designs	62-63
Flag Garlands.....	64
Embroidery Lace Designs	65-72
Butterfly design.....	65-66
Placement guides for “Designs for fabric”	67
Lace design SQ28d #164 (Designs for water soluble stabilizer)	68-69
Connecting lace design SQ28d #164 (Designs for water soluble stabilizer)	69-72
Couching Designs	73-76
Couching design with water soluble stabilizer	76
Sewing Embroidery Design Patterns SQ10d#113 and SQ10d#114.....	76
Editing Mode.....	77-89
Selecting a hoop size	77
Opening the embroidery designs	77
Editing window information.....	78
Selecting a pattern	78
Moving a pattern.....	78
Selecting a pattern with pattern selection keys	79
Zooming in the editing window	79
Duplicating a pattern	80
Monogramming in an arc.....	80-81
Resizing a pattern	81
Rotating a pattern.....	82
Grouping patterns.....	83
Sewing order	84
Single color sewing	84
Save file key	85
Creating a square frame.....	85
Flipping a pattern.....	86
Customizing the display colors.....	87
Color grouping.....	88
Deleting a pattern	89
Border Designs.....	89-91
Connecting the patterns in the editing window	91
Quilting with Embroidery Hoop ASQ27d	92-95
Embroidery hoop ASQ27d.....	92
ASQ27d template	92
Printing the design (template sheet).....	92-93
Marking the centerlines	94
Setting quilt layers in hoop ASQ27d.....	94
Sewing stippling design patterns.....	95

TABLE OF CONTENTS

INFORMATION AND CUSTOMIZING

Function Menu.....	96
Machine information	96
Customizing Machine Settings	97
Machine Setting Mode.....	98-100
Embroidery Setting Mode.....	101-104
Wireless LAN Setting Mode.....	105-108
Connecting wireless LAN network.....	105
Network settings	106-108
Language Setting Mode	109

SAVING AND OPENING A FILE

Saving a File.....	110
Saving a File on a USB Flash Drive	111
Creating a New Folder.....	111
Deleting a File or Folder	111
Opening a File	112
Opening a File on a USB Flash Drive.....	113
Changing the Name of a File or Folder	113
Direct PC / Mac-Link.....	114

CARE AND MAINTENANCE

Cleaning the Hook Area.....	115
Cleaning the Inside of the Thread Guide.....	116
Cleaning the Thread Path.....	117
Replacing the Coin Cell Battery for the Internal Clock... ..	118
Replacing the Needle Plate Emergency Procedure	119
Problems and Warning Signals (Embroidery)	120
Troubleshooting (Embroidery)	121-122
Troubleshooting (Automatic Needle Threader).....	123
Formatting USB Flash Drives.....	124-125

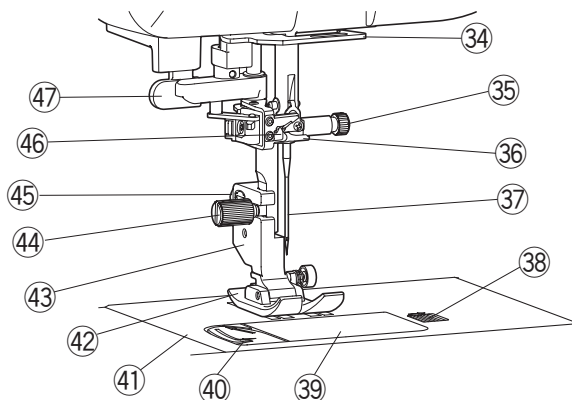
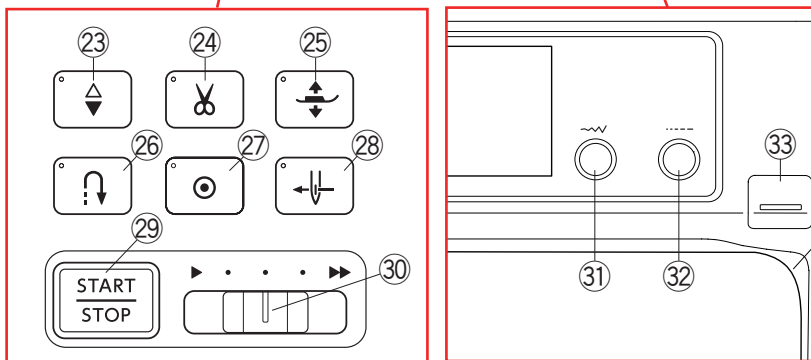
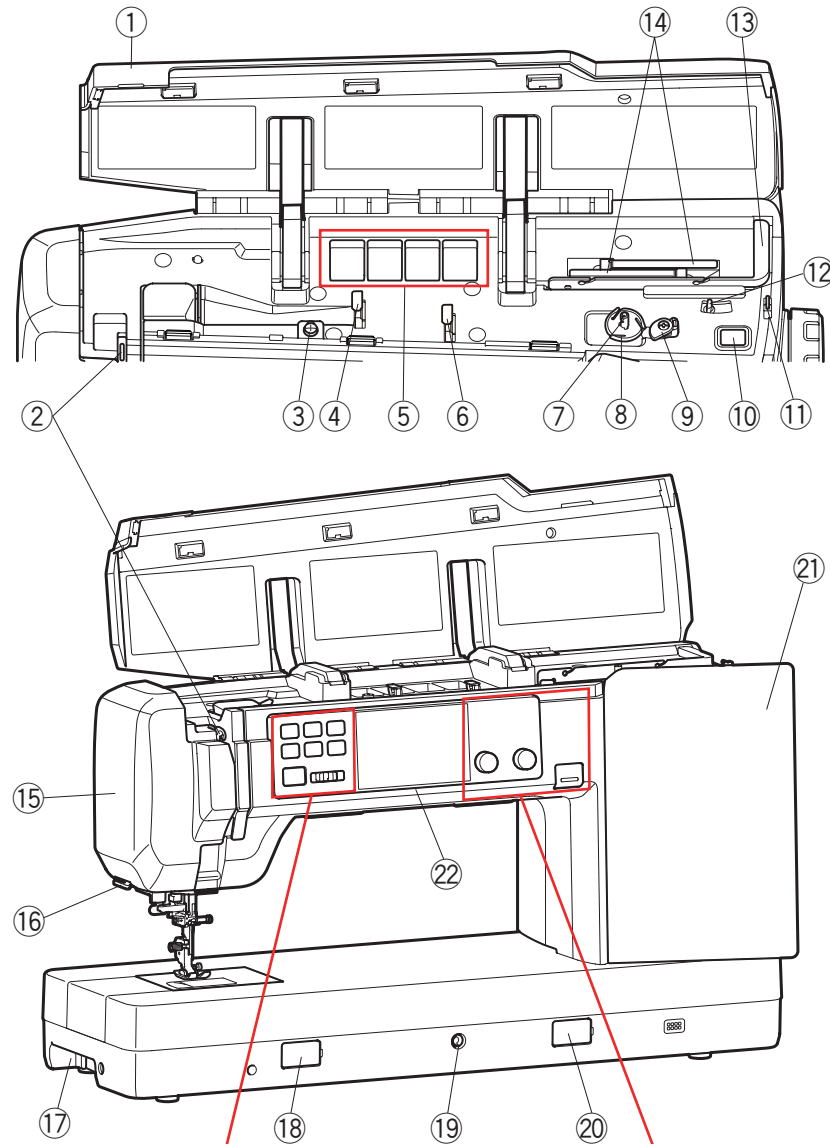
DESIGN CHART

Embroidery	126-141
Embroidery Monogram.....	142-144

ESSENTIAL PARTS

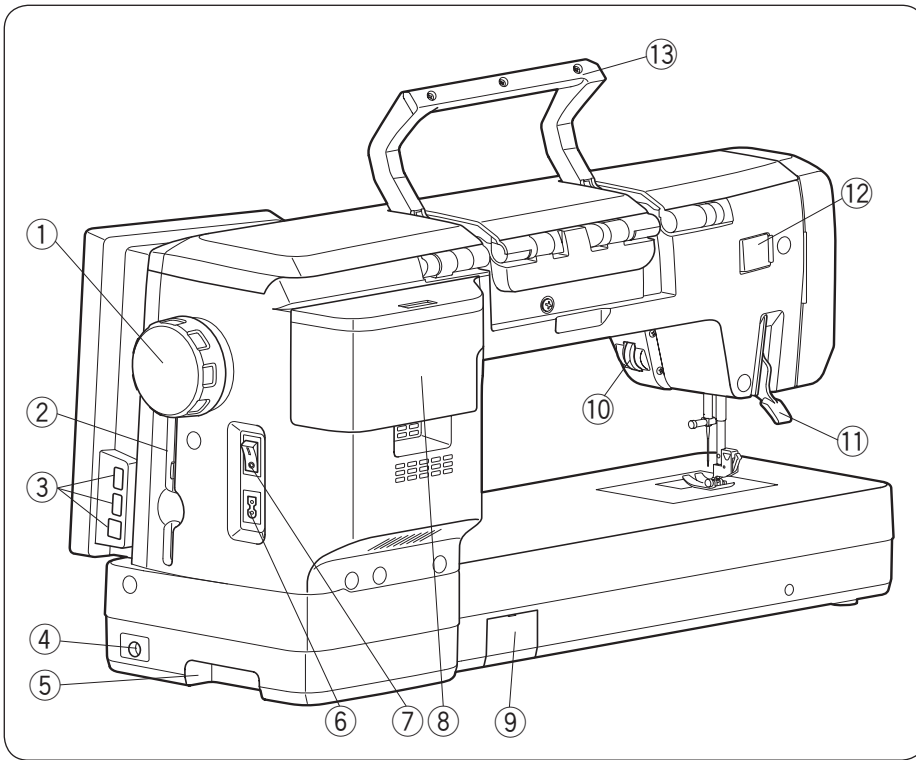
Names of Parts

- ① Top cover
- ② Thread take-up lever
- ③ Bobbin winding tension disk
- ④ Left thread guide
- ⑤ Foot compartment
- ⑥ Right thread guide
- ⑦ Bobbin winder spindle
- ⑧ Thread cutter (Bobbin winder)
- ⑨ Bobbin winder stopper
- ⑩ Bobbin winding button
- ⑪ Thread cutter (rightmost)
- ⑫ Pop up spool pins lever
- ⑬ Retractable thread guide
- ⑭ Spool pins
- ⑮ Face plate
- ⑯ Thread cutter/holder
- ⑰ Carrying handle (lower)
- ⑱ Needle plate release dial cap
- ⑲ Knee lifter socket
- ⑳ Feed balancing dial cap
- ㉑ Right touch screen
- ㉒ Middle touch screen
- ㉓ Needle up/down button
- ㉔ Thread cutter button
- ㉕ Presser foot lifter button
- ㉖ Reverse button
- ㉗ Auto-lock button
- ㉘ Needle threader button
- ㉙ Start/stop button
- ㉚ Speed control slider
- ㉛ Stitch width adjusting dial
- ㉜ Stitch length adjusting dial
- ㉝ Top cover release button
- ㉞ Lower thread guide
- ㉟ Needle clamp screw
- ㊱ Needle bar thread guide
- ㊲ Needle
- ㊳ Hook cover release button
- ㊴ Hook cover plate
- ㊵ Bobbin thread cutter
- ㊶ Needle plate
- ㊷ Zigzag foot A
- ㊸ Foot holder
- ㊹ Thumbscrew
- ㊺ Lever
- ㊻ Automatic needle threader
- ㊼ Buttonhole lever

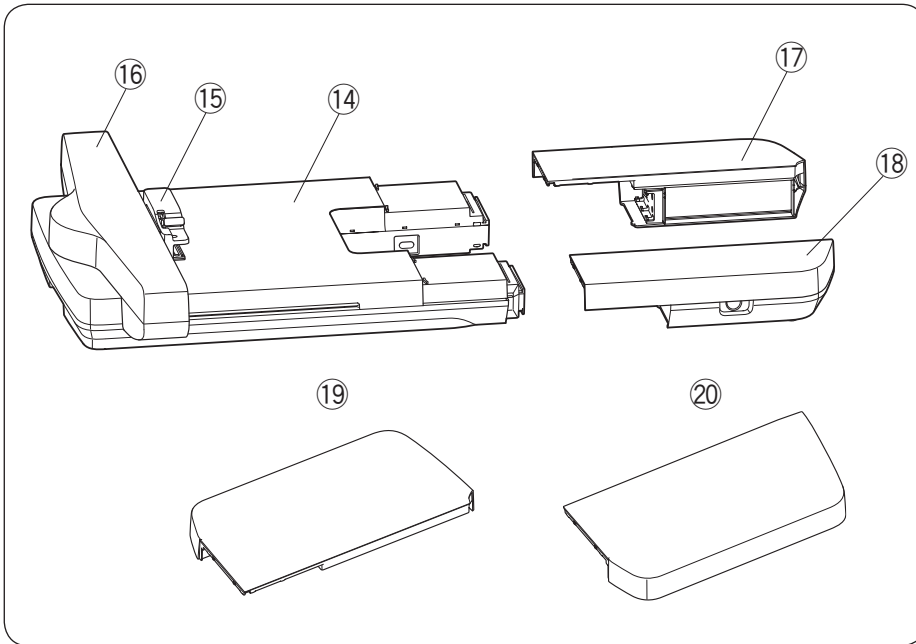


NOTE:

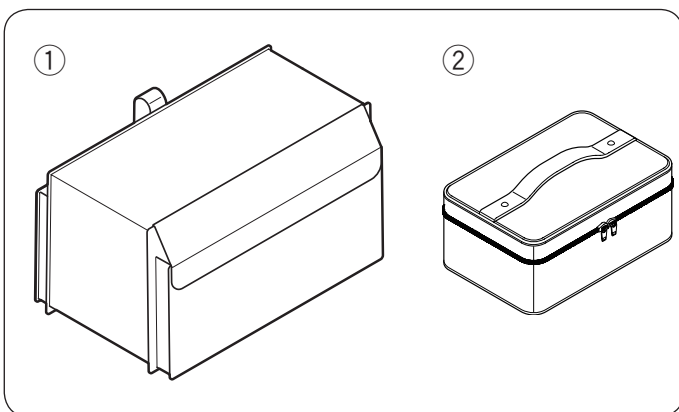
- To carry the sewing machine, refer to page 8.
- Sewing machine design and specifications are subject to change without prior notice.



- ① Handwheel
- ② Touch panel stylus holder
- ③ USB ports (lower)
- ④ Foot control jack
- ⑤ Carrying handle (lower)
- ⑥ Power inlet
- ⑦ Power switch
- ⑧ Accessory storage
- ⑨ Battery cover
- ⑩ Thumb wheel
- ⑪ Presser foot lifter
- ⑫ Attachment connector cap
- ⑬ Carrying handle (upper)

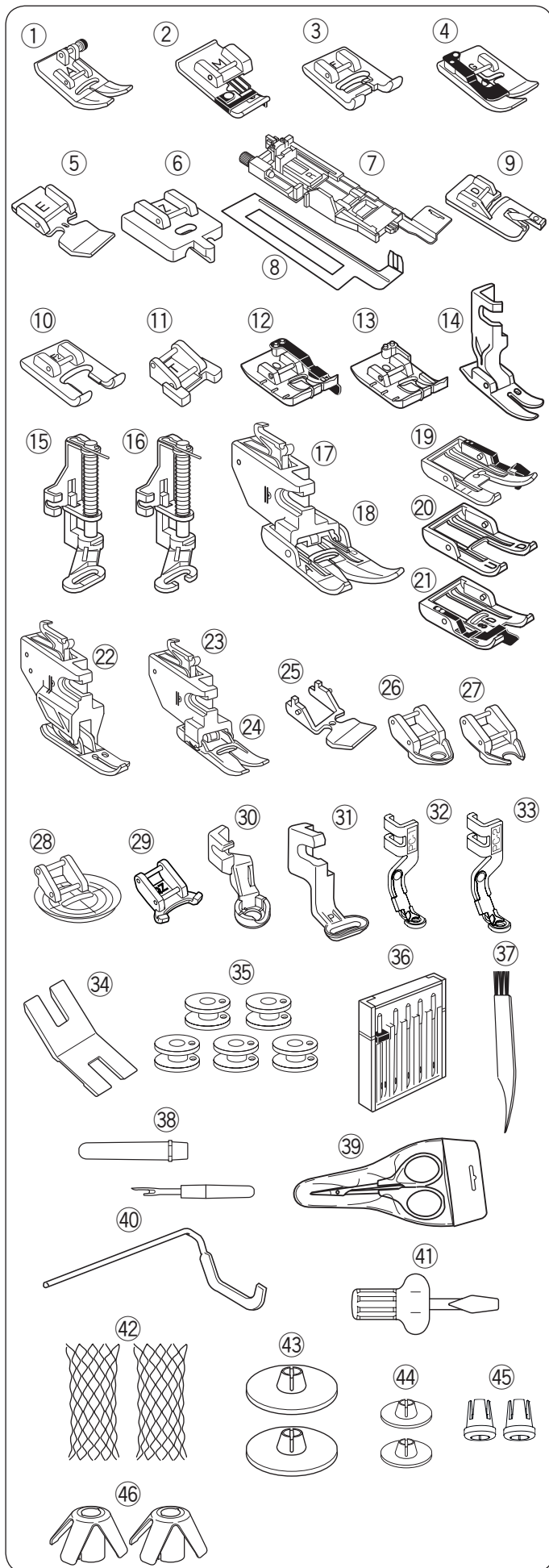


- ⑭ Embroidery unit
- ⑮ Hoop socket
- ⑯ Carriage
- ⑰ Embroidery table (rear)
- ⑱ Embroidery table (front)
- * You can store accessories in embroidery tables.
- ⑲ Upper table large cover (rear)
- ⑳ Upper table large cover (front)



Standard Accessories

No.	Part Name	Part No.
1	Semi-hard fabric cover	868822000
2	Accessory case	868820008

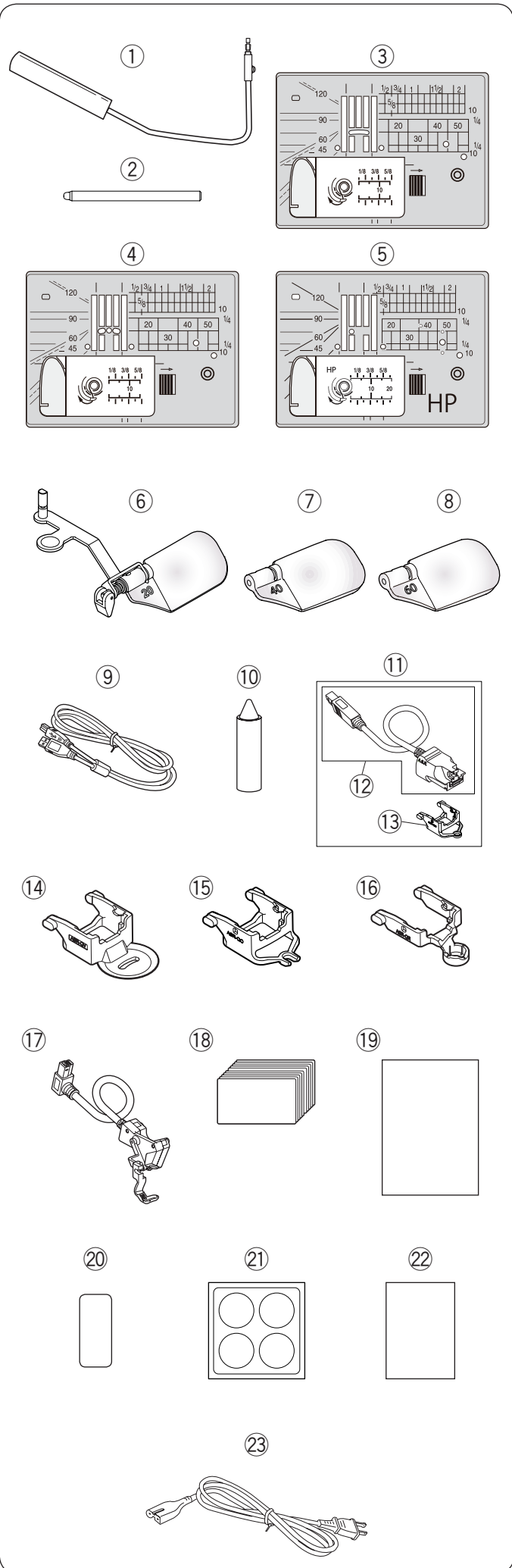


Standard Accessories

No.	Part Name	Part No.
1	Zigzag foot A (Set on the machine)	859802006
2	Overcasting foot M	859810007
3	Satin stitch foot F	859806011
4	Blind hemming foot G	859807001
5	Zipper foot E	859805009
6	CONCEAL® zipper foot Z*	859815002
7	Automatic buttonhole foot R	862822013
8	Stabilizer plate	859832016
9	Rolled hem foot D	859804008
10	Open toe satin stitch foot F2	859813000
11	Button sewing foot T	859811008
12	1/4" seam foot O	859814012
13	1/4" seam foot O (without guide)	202313104
14	Professional grade foot HP	865803006
15	Darning foot PD-H	859839002
16	Darning foot (open-toe) PD-H	859839013
17	Dual feed holder (twin)	859817015
18	Dual feed foot AD (twin)	859819109
19	Dual feed quilt piecing foot OD (twin)	859829009
20	Dual feed open toe foot UD (twin)	202150019
21	Dual feed ditch quilting foot SD (twin)	859404004
22	Dual feed professional grade foot HP2	865522008
23	Dual feed holder (single)	859833017
24	Dual feed foot VD (single)	859835101
25	Dual feed zipper foot ED (single)	859838001
26	Free motion quilting closed-toe foot QC	859836009
27	Free motion quilting open-toe foot QO	859837000
28	Free motion quilting zigzag foot QV	859812009
29	Variable zigzag open-toe foot QZ	862895006
30	Ruler work foot QR	862896007
31	Embroidery foot P	859816025
32	Couching foot PC-1	862410106
33	Couching foot PC-2	862410117
34	Button shank plate	832820007
35	Bobbin x 5** (1 set on the machine)	102261103
36	Needle set	859856005
37	Lint brush	802424004
38	Seam ripper (Buttonhole opener)	647808009
39	Scissors	803813203
40	Quilting guide bar	755802001
41	Screwdriver	820832005
42	Net x 2**	624806006
43	Spool holder (large) x 2**	822020503
44	Spool holder (small) x 2**	822019509
45	Spool holder (special) x 2**	862408008
46	Spool rest x 2**	770850001

* "CONCEAL" is a registered trademark of YKK Corporation.

** This is a part number of single item (not set number).

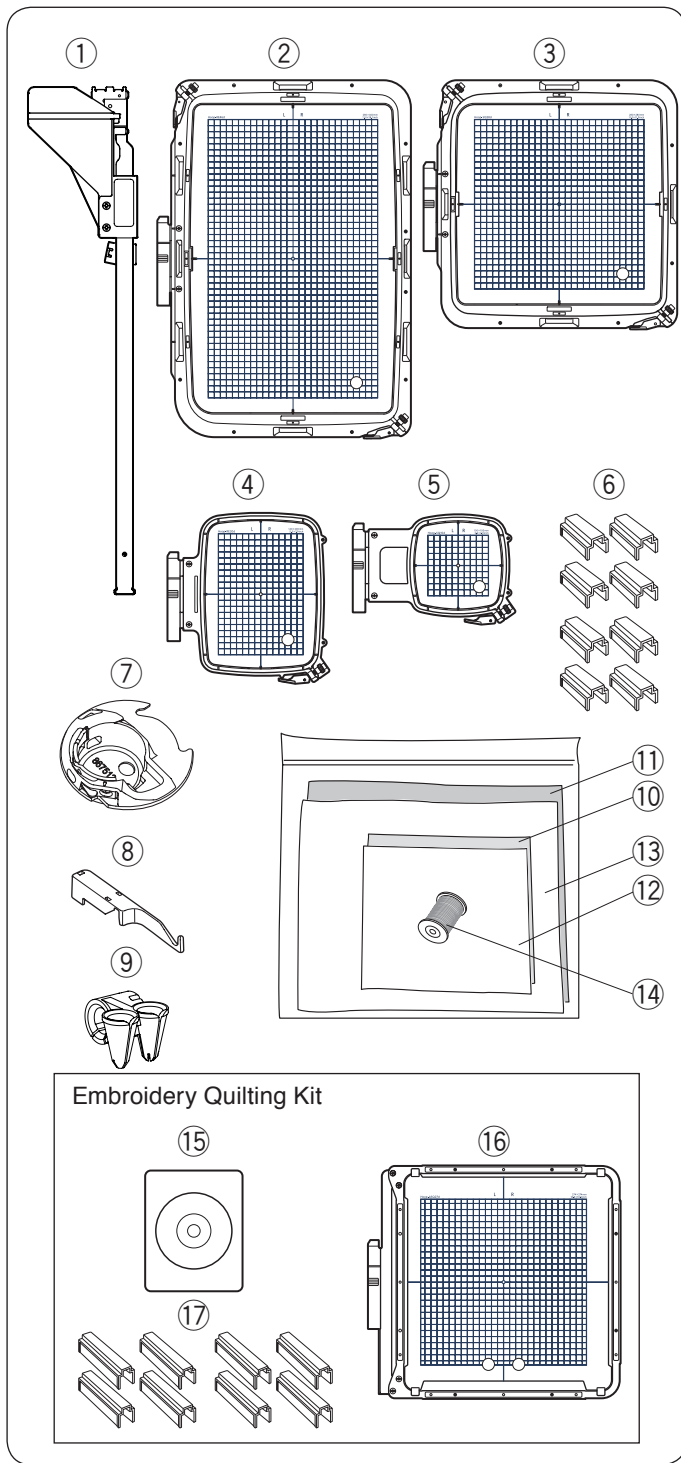


Standard Accessories

No.	Part Name	Part No.	
1	Knee lifter	846417011	
2	Touch panel stylus	868826004	
3	Needle plate (set on the machine)	867642001	
4	Straight stitch needle plate	867802001	
5	Professional grade needle plate HP	867803002	
6	Optic magnifier 20	867401006	
7	Optic magnifier 40	858415500	
8	Optic magnifier 60	858415603	
9	USB cable	868544005	
10	Bobbin holder cleaner	859858007	
11	A.S.R. (Accurate Stitch Regulator) with ASR-QC	868835006	
12	A.S.R.	868835017	
13	A.S.R. closed-toe foot ASR-QC	868837008	
14	A.S.R. clear-view foot ASR-QV	868837204	
15	A.S.R. open-toe foot ASR-QO	868837101	
16	A.S.R. ruler work foot ASR-QR	868837307	
17	Positioning marker embroidery foot PM	868825003	
18	At a glance charts*		
19	Quick start guide	868838009	
20	Threading guide sticker	101627A05	
21	Protective sticker	868842006	
22	Protective sticker instruction	868843007	
23	Power cable**	U.S.A. and Canada	856519004
		U.K.	830377008
		Australia	830314018
		Continental Europe	830335004

* Refer to the Instruction book for Ordinary Sewing/ Sewing Application.

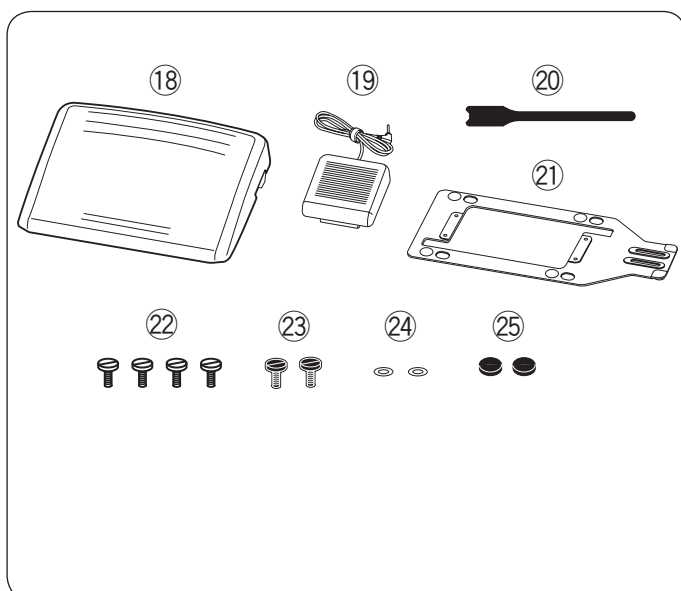
** The power supply cable included may differ from the illustration.



Standard Accessories

No.	Part Name	Part No.
1	Cloth guide	868827005
2	Embroidery hoop RE46d (with template)	868815000
3	Embroidery hoop SQ28d (with template)	868816001
4	Embroidery hoop RE20d (with template)	868817002
5	Embroidery hoop SQ10d (with template)	868818003
6	Magnetic clamps x 8* (for RE46d and SQ28d)	859821001
7	Special bobbin holder for embroidery	867513208
8	Sub thread guide stick	868828006
9	Yarn guide	862410508
10	Felt (320 x 320)	850826009
11	Felt (500 x 620)	868831002
12	Stabilizers (320 x 320)	850826102
13	Stabilizers (500 x 620)	868832003
14	Bobbin thread for embroidery	200921792
15	Artistic Digitizer Jr. (Bonus Item)	202422004
16	Embroidery hoop ASQ27d (with template) (Bonus Item)	868819107
17	Magnetic clamps x 8* (for ASQ27d) (Bonus Item)	868819808

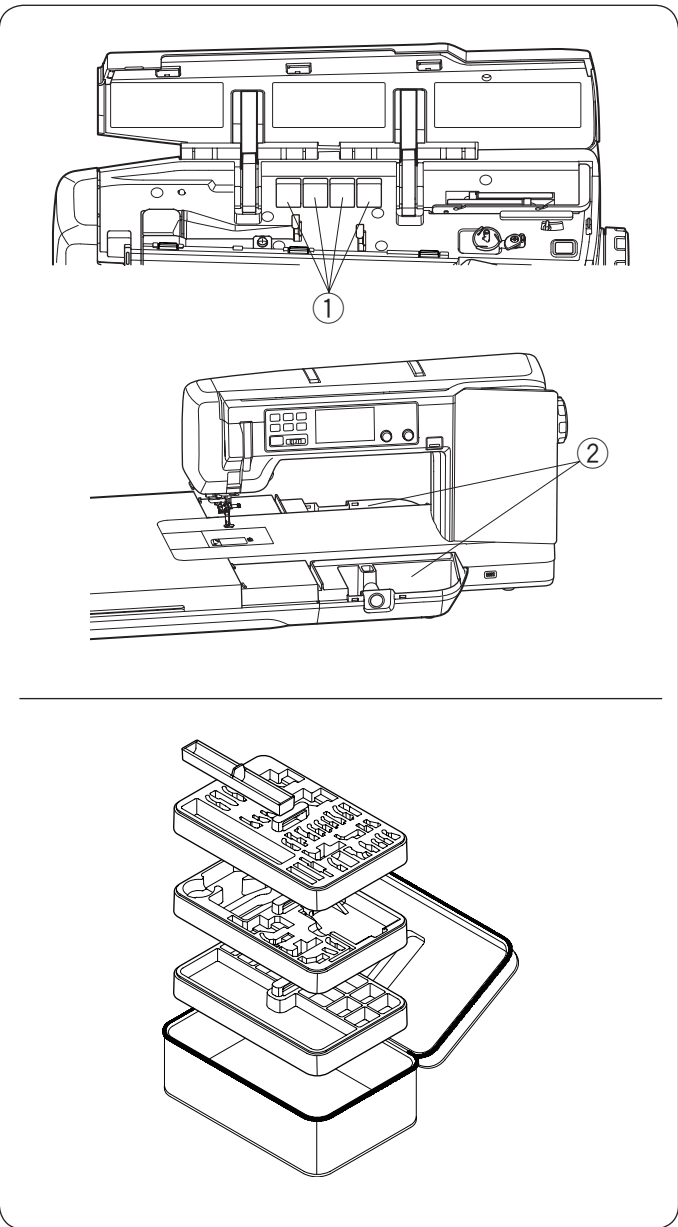
* This is a part number of single item (not set number).



No.	Part Name	Part No.
18	Foot control	043770104
19	Thread cutter switch	867811003
20	Cable tie	767849306
21	Base plate	767849100
	*Rubber sole x 6**	525010005
22	Setscrew A x 4**	000081005
23	Setscrew B x 2**	865045002
24	Washer x 2**	000072508
25	Rubber sole x 2**	525010005

* "Rubber sole x 6" are already attached on the under side of the base plate.

** This is a part number of single item (not set number).



Accessory Storage

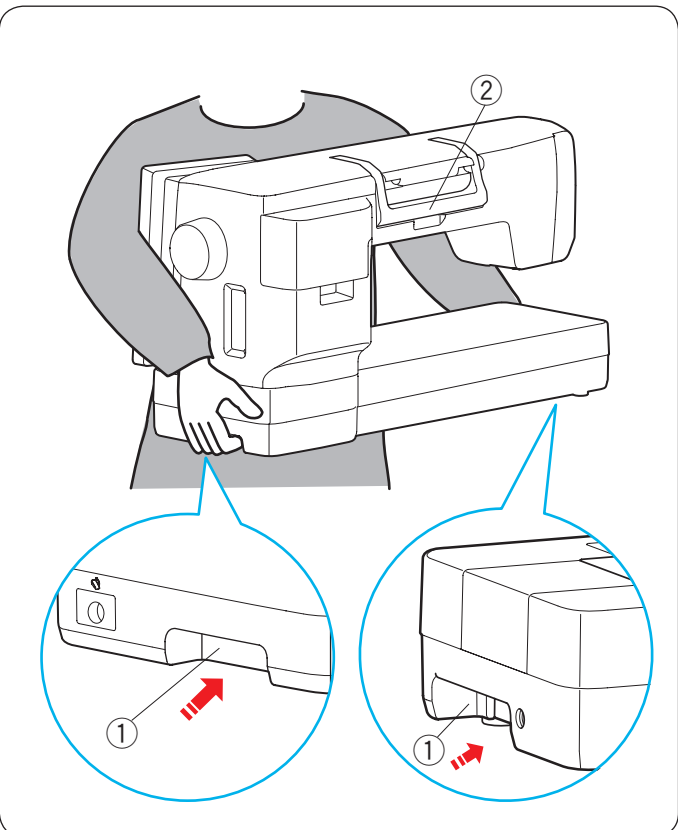
The accessories can be conveniently stored in the accessory case, the compartment in the embroidery tables and the compartments under the top cover.

To store the accessories in the embroidery tables, remove the upper table cover (refer to page 33).

- ① Compartments for presser feet
- ② Embroidery tables (Accessory storage)

Accessory Case

To store the other accessories, open the accessory case and store in the appropriate places. Optional accessories can also be stored in this case.



How to Carry the Sewing Machine

When carrying the sewing machine, hold the lower carrying handles with both hands.

Do not push the visual touch screen with your body.

- ① Carrying handle (lower)

NOTE:

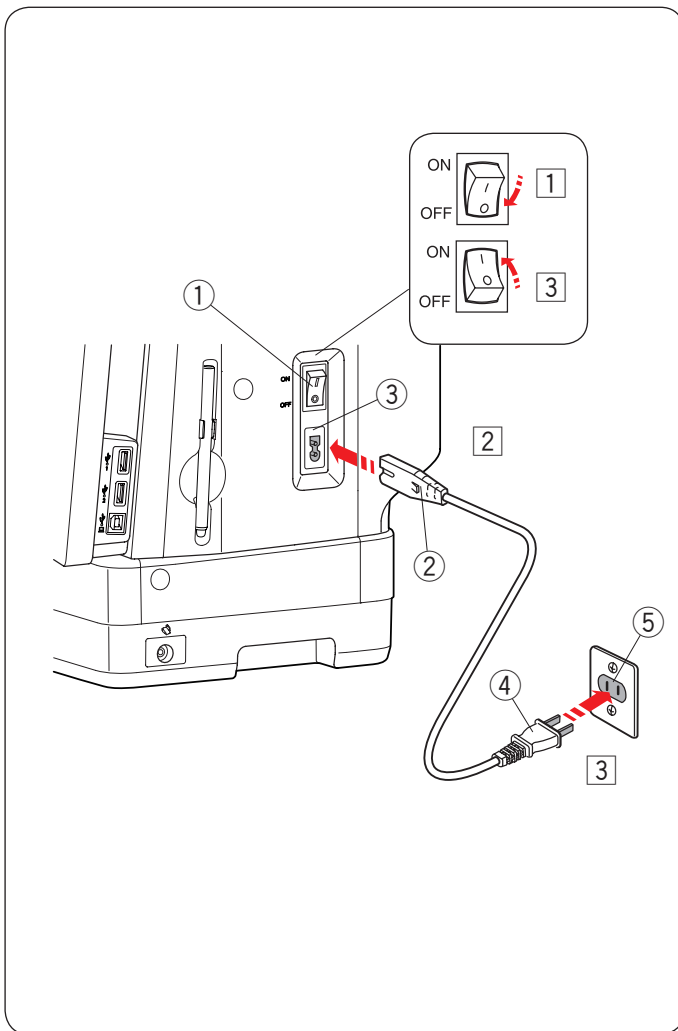
- Use the carrying handle (upper) for a supportive purpose.
 - ② Carrying handle (upper)
- There is a connector for the embroidery unit on the carrying handle (lower) on the face plate side. Do not insert your finger in the carrying handle too deeply.

GETTING READY TO SEW

Connecting the Power Supply

- 1 First make sure the power switch ① is off.
- 2 Insert the machine plug ② of the power supply cable into the machine socket ③.
- 3 Insert the power supply plug ④ into the wall outlet ⑤, and turn the power switch ① on.

- ① Power switch
- ② Machine plug
- ③ Machine socket
- ④ Power supply plug
- ⑤ Wall outlet



NOTE:

- Make sure to use the power supply cable that came with the machine.
- If you turn off the power switch, wait for 5 seconds before turning it on again.

! WARNING:

- While in operation, always keep your eyes on the sewing area, and do not touch any moving parts such as the thread take-up lever, handwheel or needle.
- Always turn off the power switch and unplug the machine from the power supply:
 - when leaving the machine unattended.
 - when cleaning the machine.
- Do not place any objects on the foot control.

Operating Instructions:

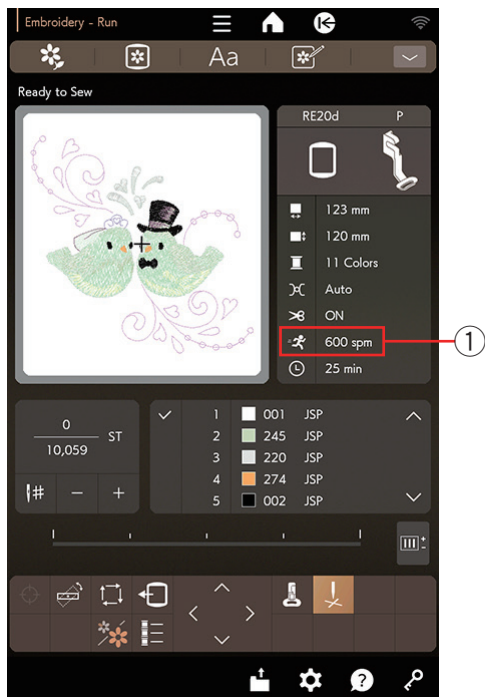
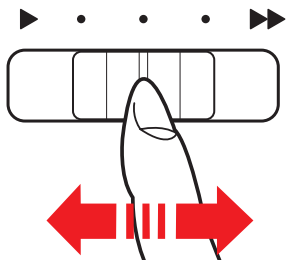
The symbol "O" on the switch indicates the "off" position of the switch.

Foot controller Model 21390 is for use with sewing machine Continental M17.

For the U.S.A. and Canada only

Polarized plug (one blade wider than the other):

To reduce the risk of electric shock, this plug is intended to fit in a polarized outlet only one way. If it does not fit fully in the outlet, reverse the plug. If it still does not fit, contact a qualified electrician to install the proper outlet. Do not modify the plug in any way.



Controlling Sewing Speed

Speed control slider

You can limit the maximum sewing speed with the speed control slider according to your sewing needs.

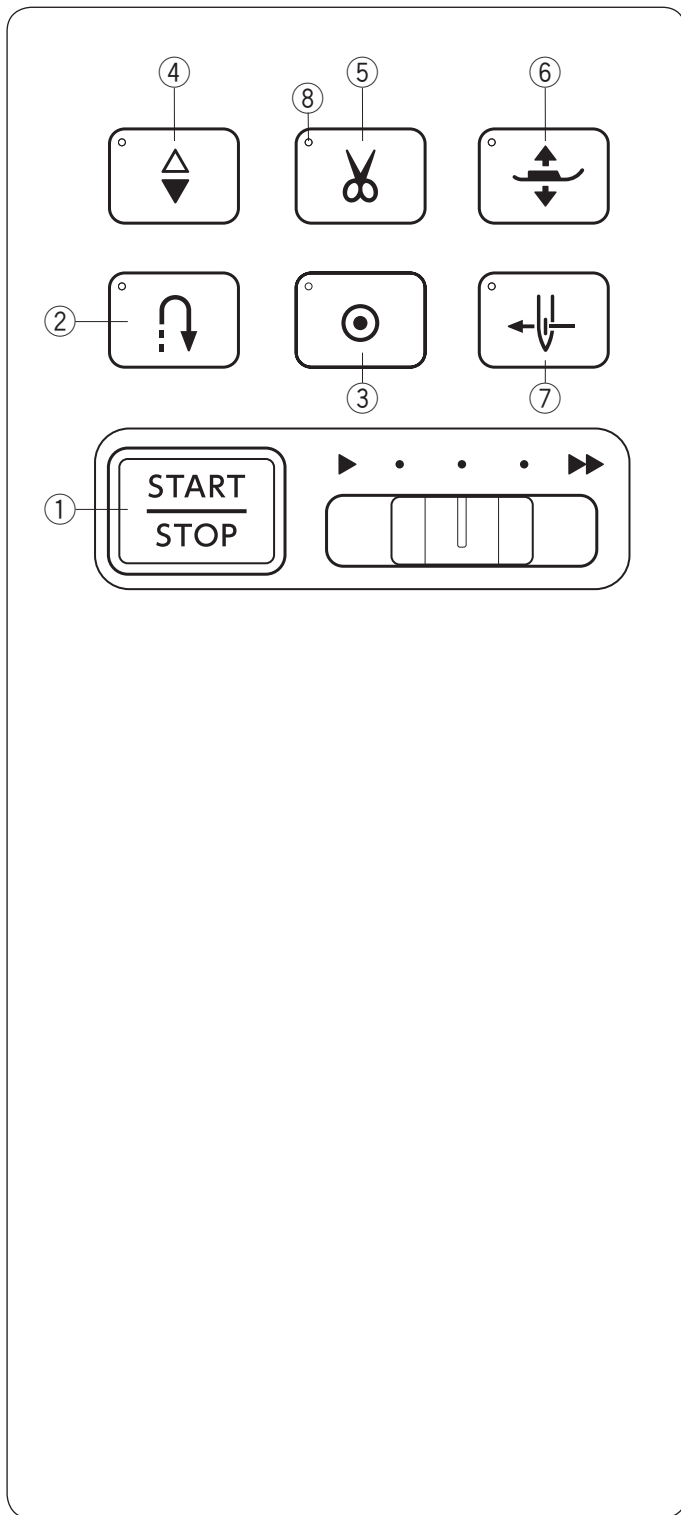
To increase the sewing speed, move the slider to the right.

To decrease the sewing speed, move the slider to the left.

The sewing speed can be changed while stitching.

The maximum sewing speed will be displayed on the right touch screen.

- ① Maximum sewing speed



Machine Operating Buttons

① Start/stop button

Press this button to start or stop the machine. This button can be used both in the ordinary sewing mode and embroidery mode.

NOTE:

The start/stop button cannot be used when the foot control is connected to the machine.

② Reverse button

This button is not used in embroidery mode.

③ Auto-lock button

This button is not used in embroidery mode.

④ Needle up/down button

Press this button to bring the needle bar up or down. The machine will stop with the needle in up position.

⑤ Thread cutter button

After finishing sewing, press this button to trim the threads. The needle bar automatically rises after trimming the threads.

The LED signal ⑧ blinks when the machine trims threads.

NOTE:

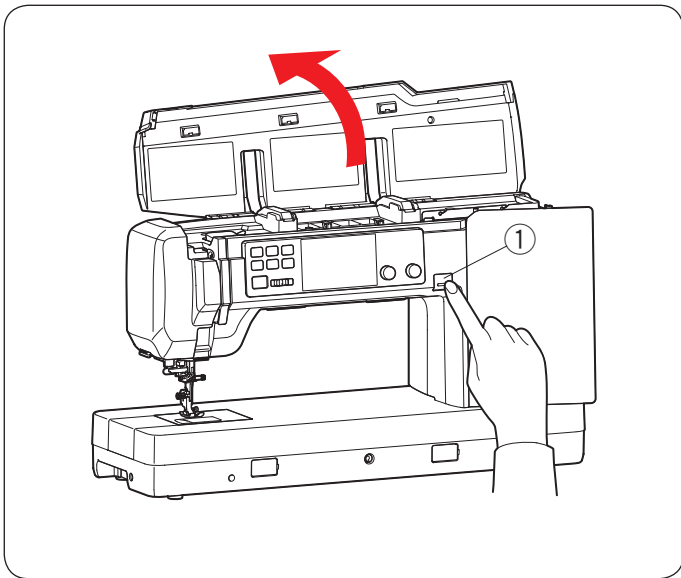
- The thread cutter button does not function:
 - directly after turning on the power.
 - when the presser foot is raised with the foot lifter.
 - after being pressed 3 times in a row.
- Use the thread cutter on the face plate if the thread is #30 or thicker.

⑥ Presser foot lifter button

The presser foot will go up or down by pressing this button.

⑦ Needle threader button

Press this button to thread the needle thread through the needle eye (refer to page 29).

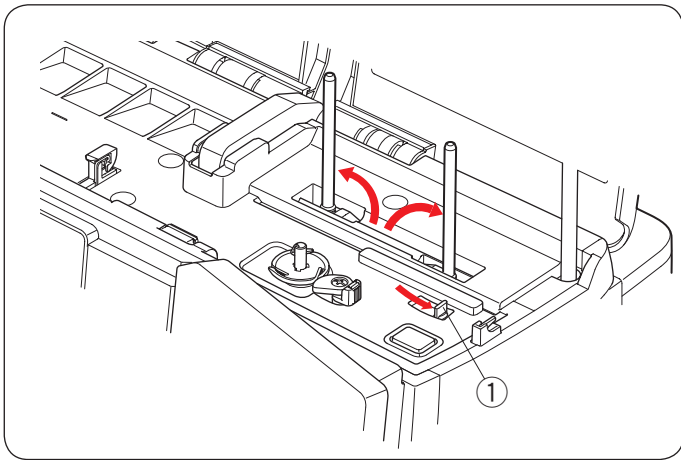


Top Cover Release Button

① Top cover release button

Press this button to open the top cover.

To close the top cover, press the cover down with your hand.

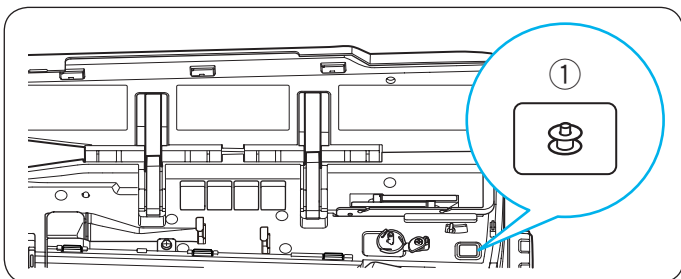


Pop Up Spool Pins Lever

① Pop up spool pins lever

Move the pop up spool pins lever to the right to raise spool pins.

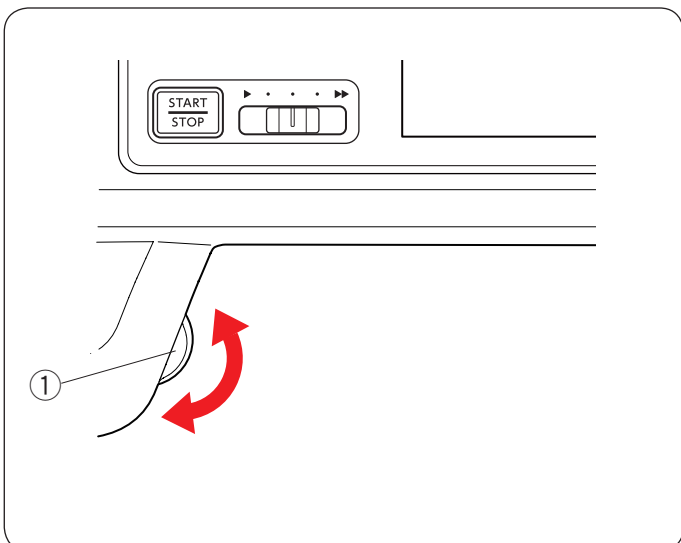
Push the spool pins down with your hand to store the spool pins.



Bobbin Winding Button

① Bobbin winding button (refer to page 25)

Press this button to wind the bobbin.



Thumb Wheel

Turn the thumb wheel to lower or raise the needle to check the needle drop position.

① Thumb wheel

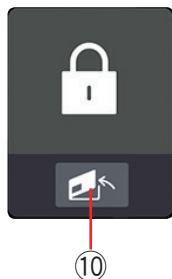
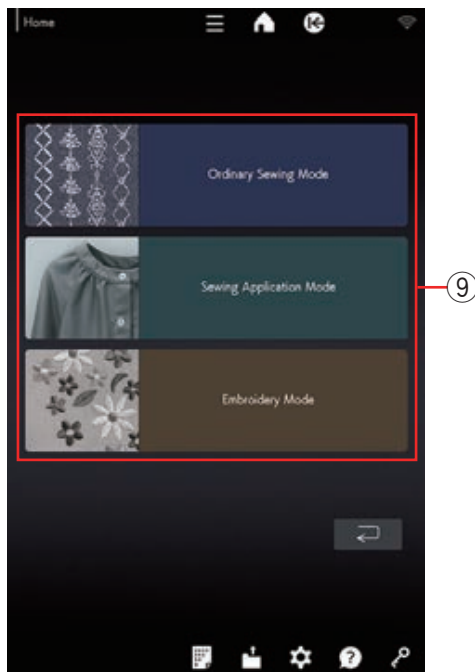
NOTE:

Do not use the thumb wheel to penetrate the fabric.

Common Keys

CAUTION:

Do not press the visual touch screen with hard or sharp objects like pencils or screwdrivers. Use the touch panel stylus included in the standard accessories.



① **Function menu key (refer to page 96)**

Press this key to open the function menu. You can check the Machine Information.

② **Home key**

Press this key to enter the home window. On the home window, press the mode selection keys ⑨ to enter ordinary sewing mode, sewing application mode or embroidery mode.

③ **Start page key**

Press this key to go to the start page of ordinary sewing mode, sewing application mode or embroidery mode.

④ **Stitch reference key**

Press the stitch reference key to show the stitch reference chart (refer to the Instruction book for Ordinary Sewing/Sewing Application).

⑤ **Open file key (refer to pages 112-113)**

Press this key and the open file window will open. You can open pattern combinations, monograms and embroidery designs saved in the machine's internal memory or on a USB flash drive.

⑥ **Set mode key (refer to page 97)**

Press this key to enter the setting mode. You can customize the machine settings to your preference. The settings for "Machine Settings", "Sewing Settings", "Embroidery Settings", "Wireless LAN Settings" and "Language Setting" are available in this mode.

⑦ **Help key (refer to page 14)**

Press this key to view the step-by-step visual guides about essential operations.

⑧ **Lockout key**

Press this key to lockout the machine when threading the machine, replacing the accessories etc.

To reduce the risk of injury, all the buttons and keys except the lockout key, needle plate release key ⑩ and presser foot lifter button are deactivated.

To unlock the machine, press this key again.

* This product contains eT-Kernel™ Compact RTOS of eSOL Co., Ltd. eT-Kernel is trademark of eSOL Co., Ltd.

On-screen Help

Press the help key to open the help menu.

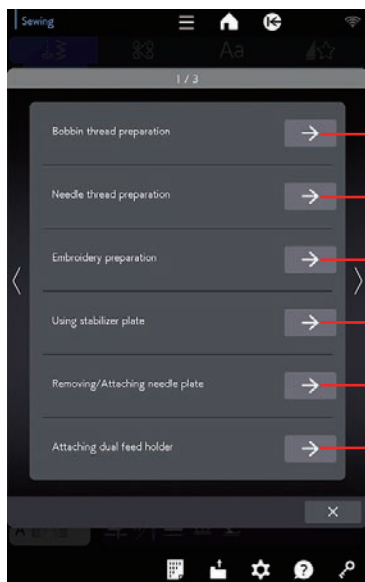
You can view instructions on 13 essential machine operation topics.

Select the help topic by pressing the arrow and the step-by-step instruction will open.

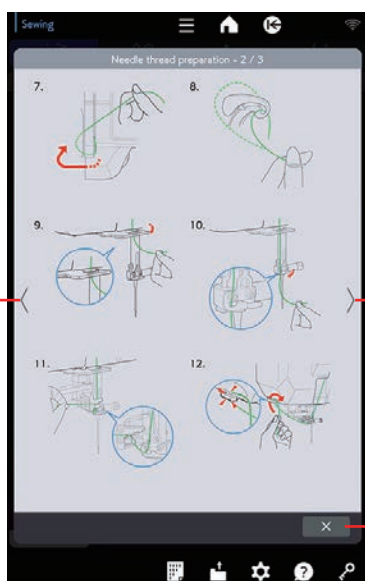
- ① Help key
- ② Arrow



①



②



④

③

⑤

To view the next page, press the next page key.

To view the previous page, press the previous page key.

Press the X key to close the current window.

- ③ Next page key
- ④ Previous page key
- ⑤ X key

Raising and Lowering the Presser Foot

CAUTION:

Do not turn the handwheel, thumb wheel or press the needle up/down button when the presser foot is in extra lifted position. This may cause damage to the presser foot.

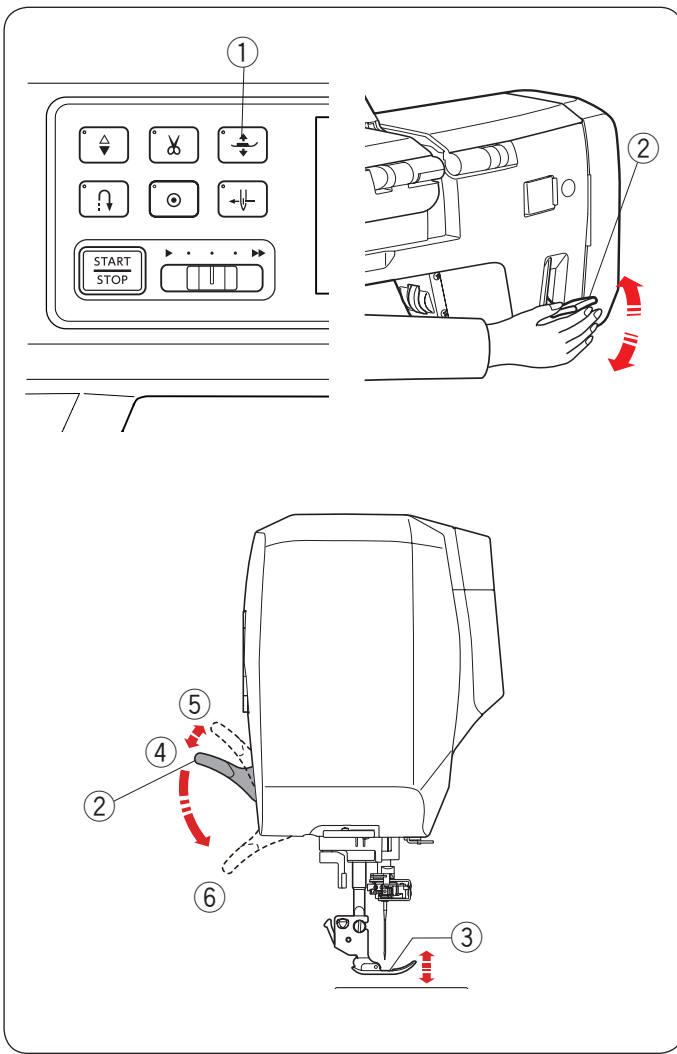
The presser foot lifter button or the presser foot lifter raises and lowers the presser foot.

You can raise the presser foot about 6 mm (1/4") higher than the normal up position by exerting more pressure when lifting the presser foot lifter. This helps you when replacing the embroidery hoop with thick fabrics.

- ① Presser foot lifter button
- ② Presser foot lifter
- ③ Presser foot
- ④ Up position
- ⑤ Extra lifted position
- ⑥ Down position

NOTE:

The presser foot cannot be lowered with the presser foot lifter if the foot was raised with the presser foot lifter button.

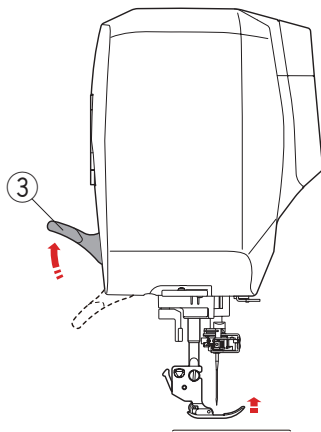
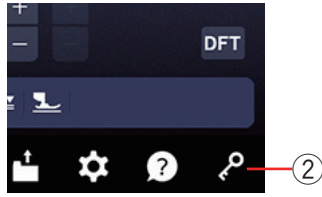
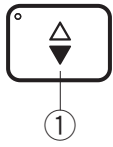


Removing the Foot Holder

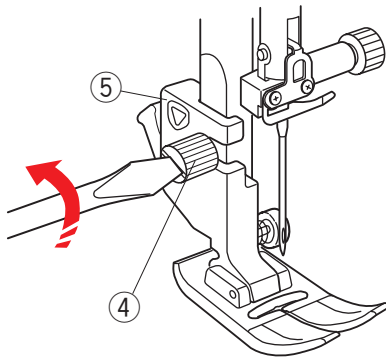
CAUTION:

Always make sure to press the lockout key to lockout the machine before replacing the foot holder.

1



2



- 1 Raise the needle by pressing the needle up/down button.

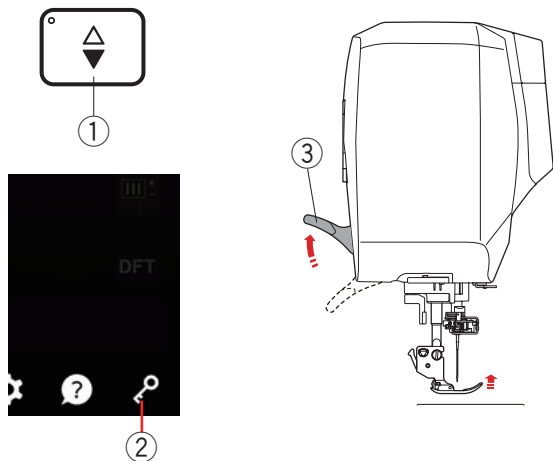
Press the lockout key and raise the presser foot with the presser foot lifter.

- 1 Needle up/down button
- 2 Lockout key
- 3 Presser foot lifter

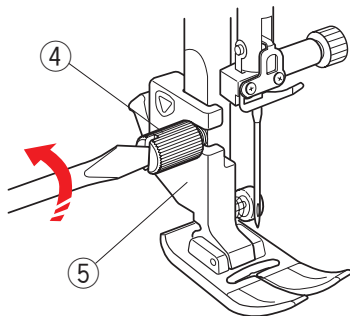
- 2 Loosen the thumbscrew and remove the foot holder.

- 4 Thumbscrew
- 5 Foot holder

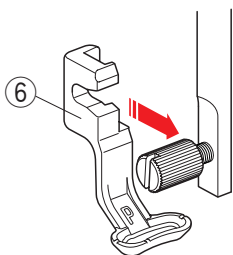
1



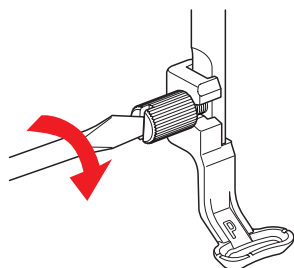
2



3



4



Attaching the Embroidery Foot

Use embroidery foot P or positioning marker embroidery foot PM (refer to the next page) for embroidery. Attach the couching foot when sewing a couching design.

CAUTION:

Always make sure to press the lockout key to lockout the machine before replacing the presser foot.

1 Turn the power switch on.

Raise the needle by pressing the needle up/down button.

Press the lockout key and raise the presser foot with the presser foot lifter.

- ① Needle up/down button
- ② Lockout key
- ③ Presser foot lifter

2 Loosen the thumbscrew with the screwdriver and remove the foot holder.

- ④ Thumbscrew
- ⑤ Foot holder

3 Attach embroidery foot P to the presser bar from behind. Tighten the thumbscrew partially by hand.

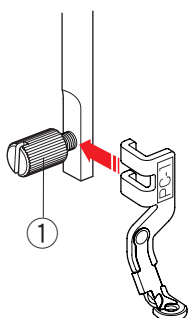
- ⑥ Embroidery foot P

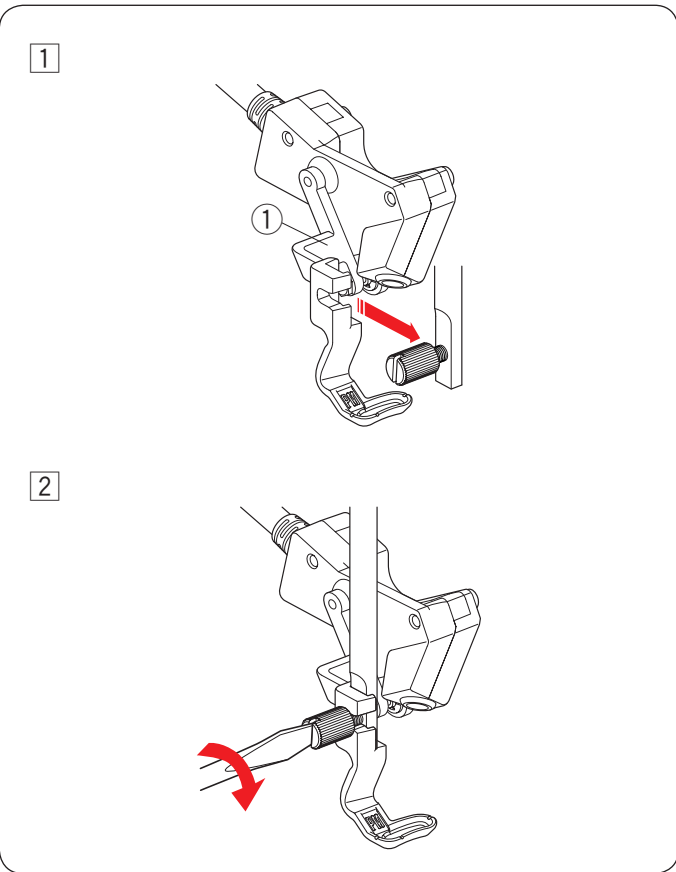
4 Tighten the thumbscrew securely with the screwdriver.

Attaching couching foot PC-1 or PC-2

Attach couching foot PC-1 or PC-2 to the presser bar. Tighten the thumbscrew firmly with the screwdriver.

- ① Thumbscrew





Attaching positioning marker embroidery foot PM

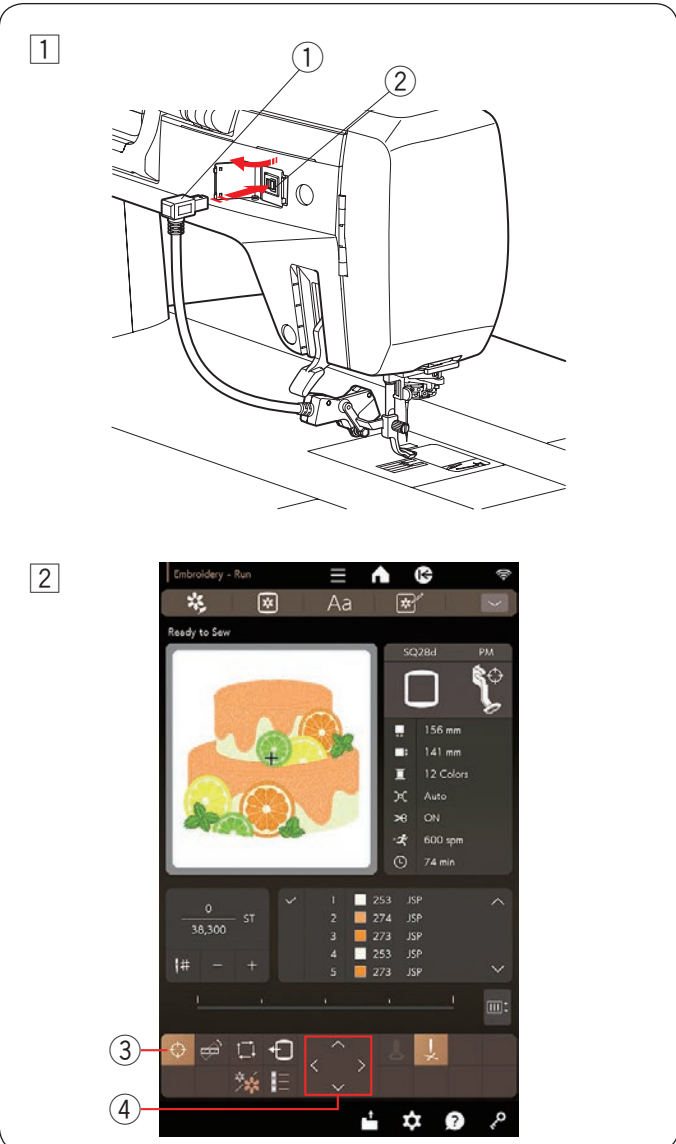
The positioning marker embroidery foot PM allows you to highlight the point where the needle drops.

Press the lockout key and remove the foot holder (refer to the previous page of step 1 to 2).

- 1 Attach the positioning marker embroidery foot PM to the presser bar from behind. Tighten the thumbscrew partially by hand.

① Positioning marker embroidery foot PM

- 2 Tighten the thumbscrew securely with the screwdriver.



Connecting positioning marker embroidery foot PM

- 1 Attach the positioning marker embroidery foot PM to the presser bar. Insert the plug into the attachment connector on the rear of the machine.

① Plug

② Attachment connector

- 2 Positioning marker key is displayed on the Ready to Sew window. Press the positioning marker key and LED pointer is turned on. The LED pointer highlights the point where the needle drops.

Turn the handwheel or thumbwheel to check the needle drop position. Be sure that the tip of needle points out where the LED pointer highlights.

You can adjust the hoop position with the jog keys so that the needle position comes right above the center of the centerlines on the fabric.

③ Positioning marker key

④ Jog key

NOTE:

- When the positioning marker key is turned on, the presser foot height is automatically adjusted to suit the fabric thickness.
- Adjust the LED pointer position if the LED pointer do not highlight the needle drop position (refer to page 19).

Adjusting the LED pointer for positioning marker embroidery foot PM

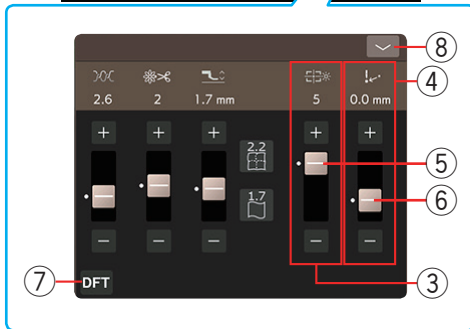
You can adjust the brightness and position of the LED pointer.

Press the adjust key to open the adjusting window.

① Adjust key

* You can also adjust the brightness of the LED pointer and the position of the LED pointer on the middle touch screen.

② Middle touch screen



Adjusting the brightness of LED pointer

You can adjust the brightness of the LED pointer with the LED pointer brightness key.

Press “+” or “-” key, or slide the slide bar up or down to adjust the settings. Press the default key to recover the original setting.

Press the close key to close the window.

③ LED pointer brightness key

⑤ Slide bar

⑦ Default key

⑧ Close key

Adjusting the LED pointer position

The LED pointer may not highlight the needle drop position properly when attaching heavyweight fabrics to the hoop. In this case, turn the handwheel or thumbwheel and check the actual needle drop position, then adjust the LED pointer position with the LED pointer adjustment key.

Press “+” or “-” key, or slide the slide bar up or down to adjust the settings. Press the default key to recover the original setting.

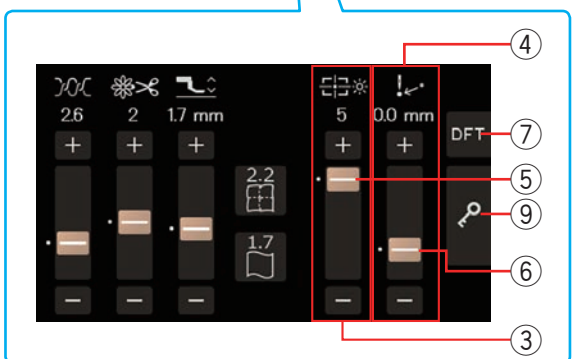
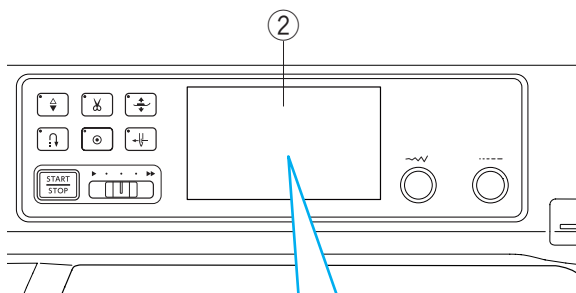
Press the close key to close the window.

④ LED pointer adjustment key

⑥ Slide bar

⑦ Default key

⑧ Close key



NOTE:

- You can also change the setting with “+” or “-” key and slide bar on the middle touch screen.
- You can also press the default key and the lockout key on the middle touch screen.

⑦ Default key

⑨ Lockout key

Bobbin Holder for Embroidery (high tension)

CAUTION:

Always make sure to press the lockout key to lockout the machine before attaching the bobbin holder.

Replace the standard bobbin holder (part number 867513002) with the special bobbin holder (high tension, part number 867513208) when using bobbin threads other than Janome bobbin thread for embroidery.

Either part number is indicated inside the bobbin holder.

① Part number indicated here

① Remove the needle, foot holder and needle plate (refer to pages 21, 16 and 22).

Take out the standard bobbin holder.

② Standard bobbin holder

② Insert the special bobbin holder into the hook race. Make sure to match the knob of the bobbin holder with the stopper on the machine.

Attach the needle plate, presser foot and needle.

③ Knob

④ Stopper

⑤ Special bobbin holder for embroidery (high tension)

NOTE:

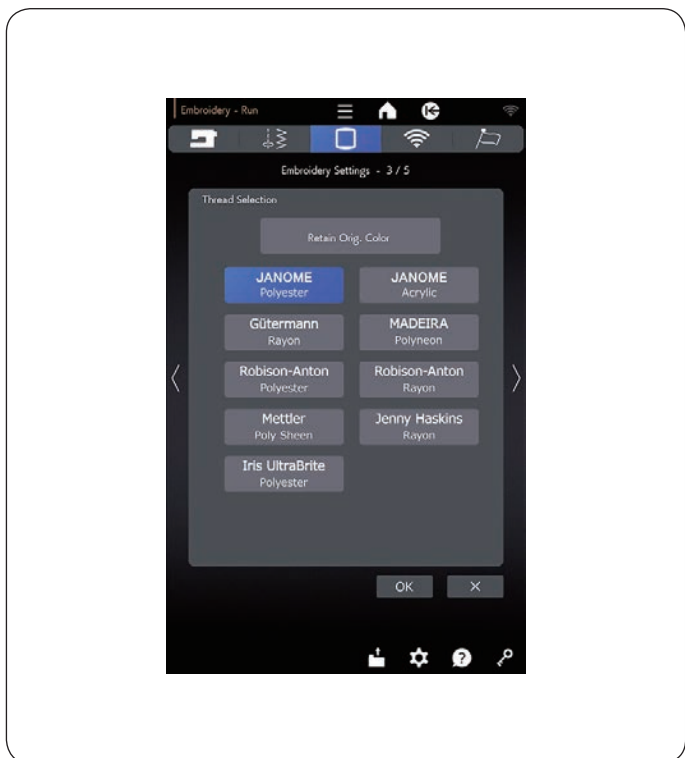
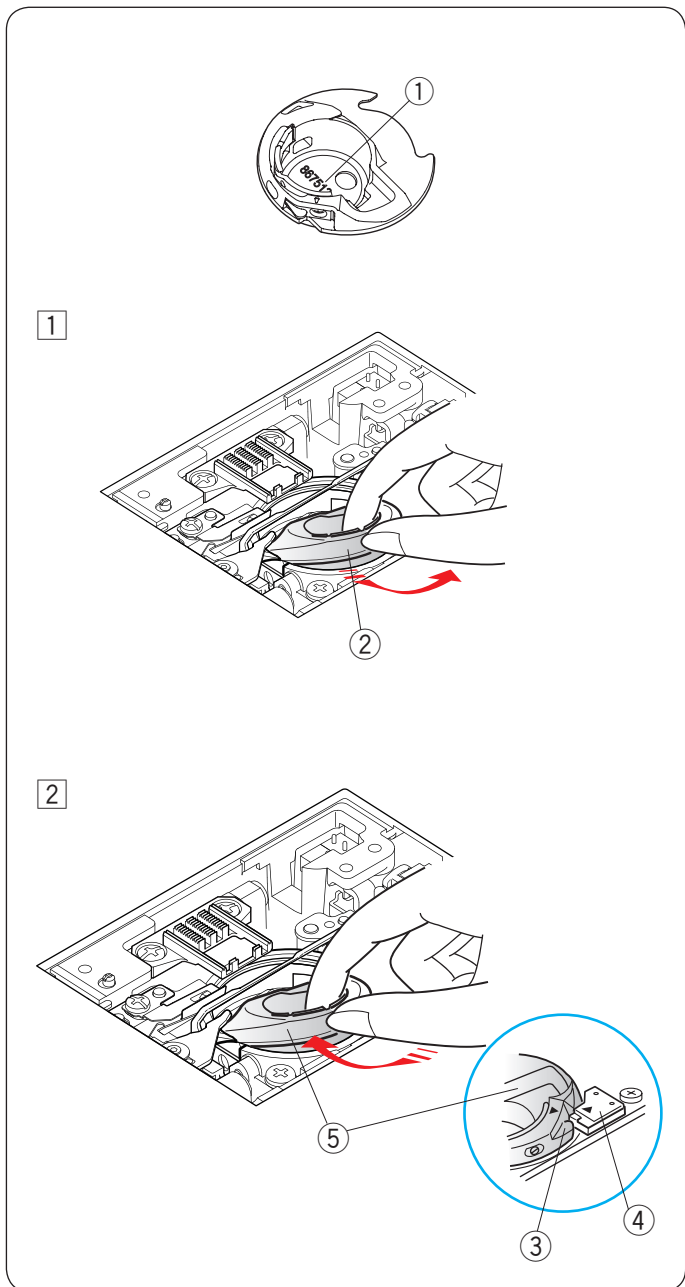
Use the standard bobbin holder when sewing lace designs and quilting designs that use the same thread for the bobbin as the needle thread.

Selecting Embroidery Thread

Select the thread before threading the machine (refer to page 102).

NOTE:

- Proper thread tension will not be set without selecting threads before embroidering.
- Use Janome synthetic #90 for bobbin thread when embroidering.



Replacing Needles

CAUTION:

Always make sure to press the lockout key to lockout the machine before replacing the needle.

Raise the needle by pressing the needle up/down button. Press the lockout key.

- ① Needle up/down button
- ② Lockout key

Loosen the needle clamp screw by turning it counterclockwise.

Remove the needle from the clamp.

- ③ Needle clamp screw

Insert a new needle into the needle clamp with the flat side of the needle to the rear.

- ④ Flat side

When inserting the needle into the needle clamp, push it up against the stopper pin and tighten the needle clamp screw firmly with a screwdriver.

To check needle straightness, place the flat side of the needle onto something flat (a needle plate, glass etc.).

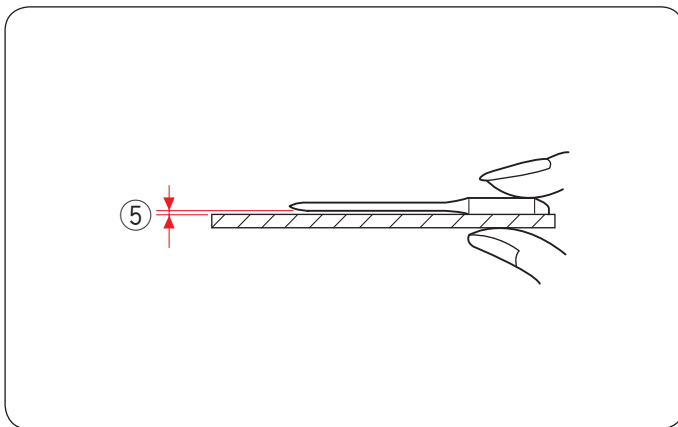
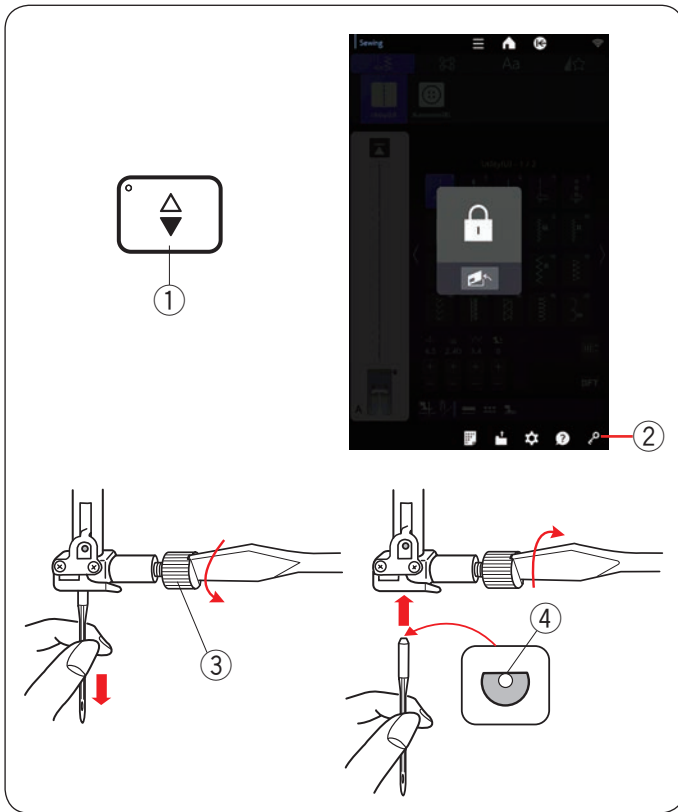
The gap between the needle and the flat surface should be consistent.

- ⑤ Gap

Never use a blunt needle.

CAUTION:

Be sure to tighten the needle clamp screw firmly with a screwdriver when attaching a needle to the machine, otherwise the needle may break or cause malfunction.



Fabric and Needle Chart for Embroidery

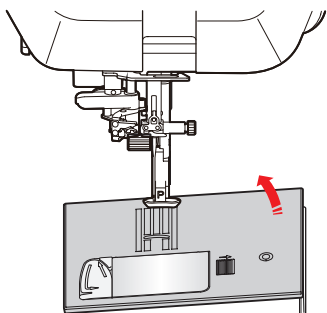
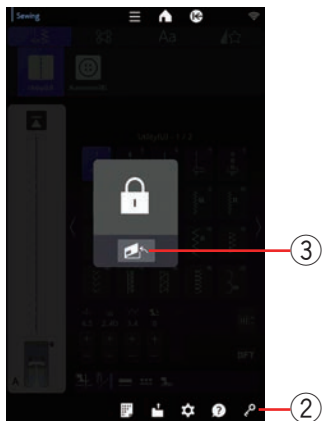
Fabric	Thread	Needle
Fine	Embroidery thread	Blue tip needle
Medium		
Heavy weight		Universal needle #14 Red tip needle Purple tip needle

- In general, use a blue tip needle.
- Use a red tip needle or purple tip needle for thicker fabrics.
- Use a purple tip needle for dense stitch embroidery and Quilting designs.
- Use rayon thread when sewing dense embroidery designs for better sewing results.
- Janome bobbin thread for embroidery is recommended for the bobbin.

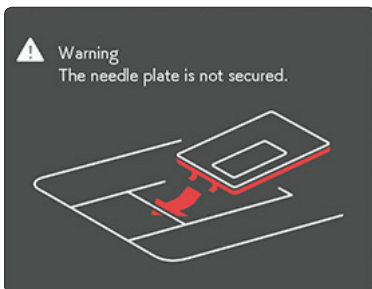
NOTE:

- Use the needles equipped with the machine or supplied by an authorized dealer.
- 1 x twin needle, 2 x blue tip needle (#11/75), 1 x red tip needle (#14/90) and 1 x purple tip needle (#14/90) are included in the needle case (Part No. 859856005).
- Use size 11 blue tipped needle for fine fabrics.
- For medium to heavy weight fabrics, use size 14 needles, red tip needle or purple tip needle.

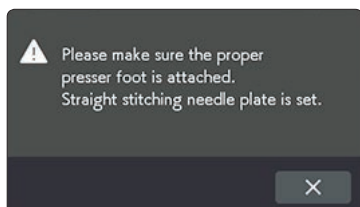
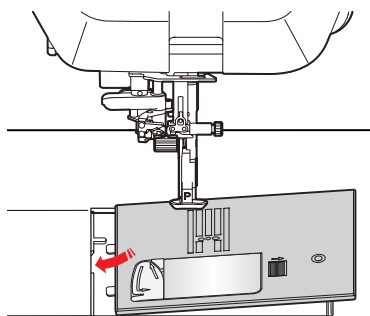
1 2



3



4



Attaching the Straight Stitch Needle Plate

Use the straight stitch needle plate for embroidery.

CAUTION:

- Always make sure to press the lockout key to lockout the machine before replacing the needle plate.
- Never turn the needle plate release dial while running the machine.

- 1 Press the needle up/down button to raise the needle. Press the lockout key.
 - ① Needle up/down button
 - ② Lockout key
- 2 Press the needle plate release key and the needle plate will automatically pop up.
 - ③ Needle plate release key

- 3 A warning message will appear that the needle plate is not secured. Remove the needle plate to the right.

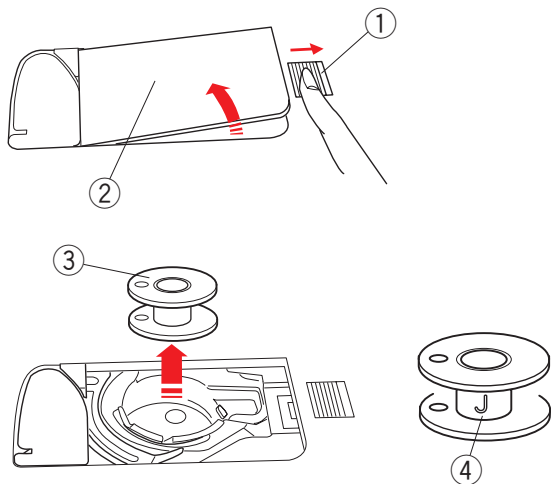
NOTE:

- The needle plate will be returned to the set position automatically after a certain period (needle plate lifter time).
- You can change the needle plate lifter time (refer to page 99).

- 4 Place the straight stitch needle plate on the machine. Set the left edge of the needle plate into the opening. Turn the handwheel slowly and make sure that the needle does not hit the needle plate. Press the lockout key to unlock the machine.

NOTE:

In the ordinary or sewing application mode, a message will appear when the straight stitch needle plate is attached. Be sure the proper foot is attached to the machine and press the X key.



Winding the Bobbin

Removing the bobbin

Press the lockout key.

Slide the hook cover release button to the right, and remove the hook cover plate.

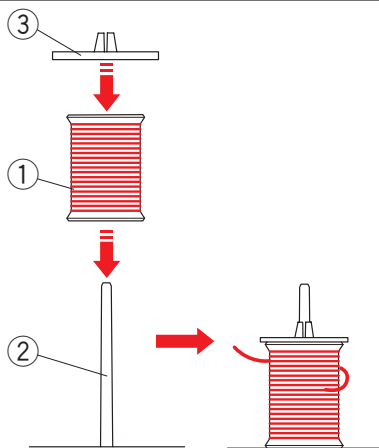
- ① Hook cover release button
- ② Hook cover plate

Lift out the bobbin from the bobbin holder.

- ③ Bobbin

NOTE:

- Use “J” plastic bobbins for the horizontal hook machines (marked with “J” ④). Using other bobbins, such as pre-wound paper bobbins, may cause stitching problems and/or damage to the bobbin holder.
- Do not use the easy bobbin or metal bobbins.



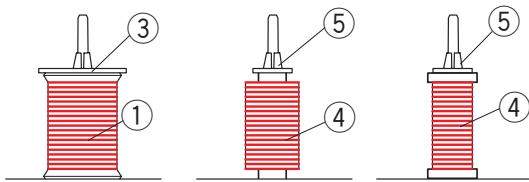
Setting the spool of thread

Move the pop up spool pin lever to the right to raise the spool pins (refer to page 12).

Place the spool of thread on the spool pin with the thread coming off the spool as shown.

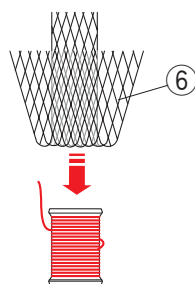
Attach the spool holder, and press it firmly against the spool of thread.

- ① Spool of thread
- ② Spool pin
- ③ Large spool holder



Use the large spool holder for ordinary spools, and the small spool holder for small spools.

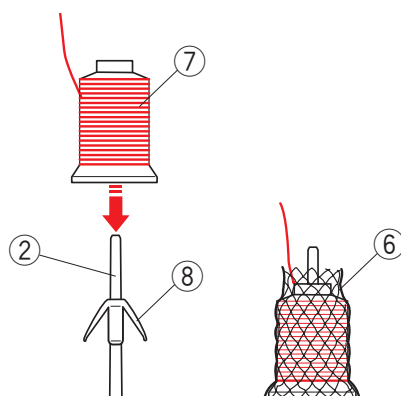
- ④ Small spool
- ⑤ Small spool holder



NOTE:

- Avoid using a paper cored spool when it begins to empty since it will not unwind smoothly. It may cause the thread to bunch or slip when using the auto thread cutter.
- If you use a slippery thread such as monofilament transparent thread or elastic thread, put a net on the spool of thread to prevent the thread from slipping off the spool and jamming around the spool pin. If the net is too long for the spool, fold the net and place it on the spool.

- ⑥ Spool net



Setting the thread cone

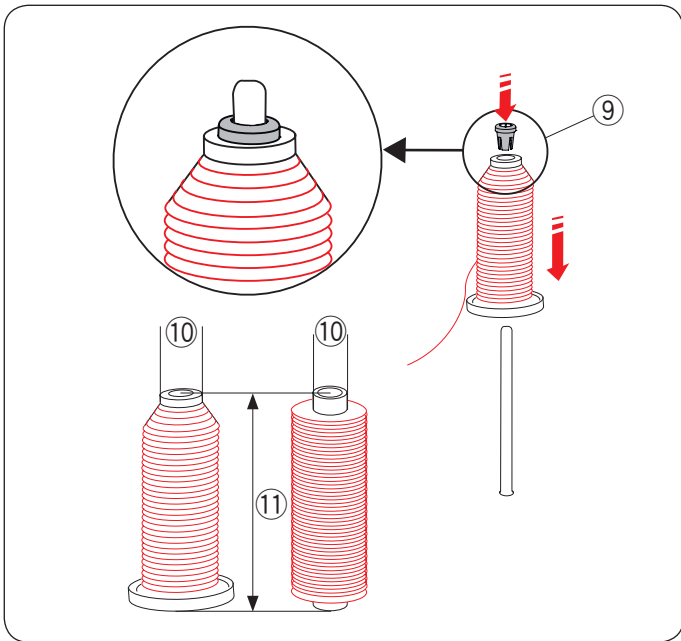
Use the spool rest and the spool net for thread cones.

Attach the spool rests on the spool pin.

Place the spool cone on the spool pin.

Cover the thread cone with the spool net if the thread is shaky or kinky when sewing.

- ② Spool pin
- ⑥ Spool net
- ⑦ Thread cone
- ⑧ Spool rest



Setting the spool of thread or thread cone (special size)

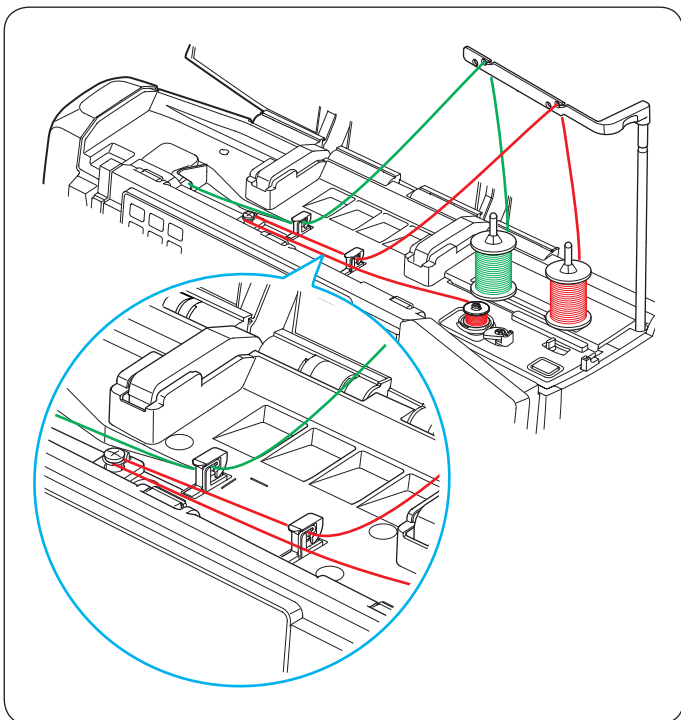
Use the spool holder (special) to hold the specific size of the spool of threads as shown.

The sizes of the spools of thread are as follows:

The hole diameter of the spool has a range of 3/8" to 7/16" (9.5 to 10.5 mm), and the spool length has a range of 2 3/4" to 3" (70 to 78 mm).

- ⑨ Spool holder (special)
- ⑩ Hole diameter (3/8" to 7/16")
- ⑪ Spool length (2 3/4" to 3")

Firmly insert the spool holder (special) into the hole and hold the spool as illustrated.



Bobbin winding while working on a sewing project

There are 2 spool pins on the machine.

You can wind the bobbin without removing the needle thread while embroidering.

Place a spool of thread on the spool pin and fix the spool with the spool holder as shown.

Winding the bobbin

NOTE:

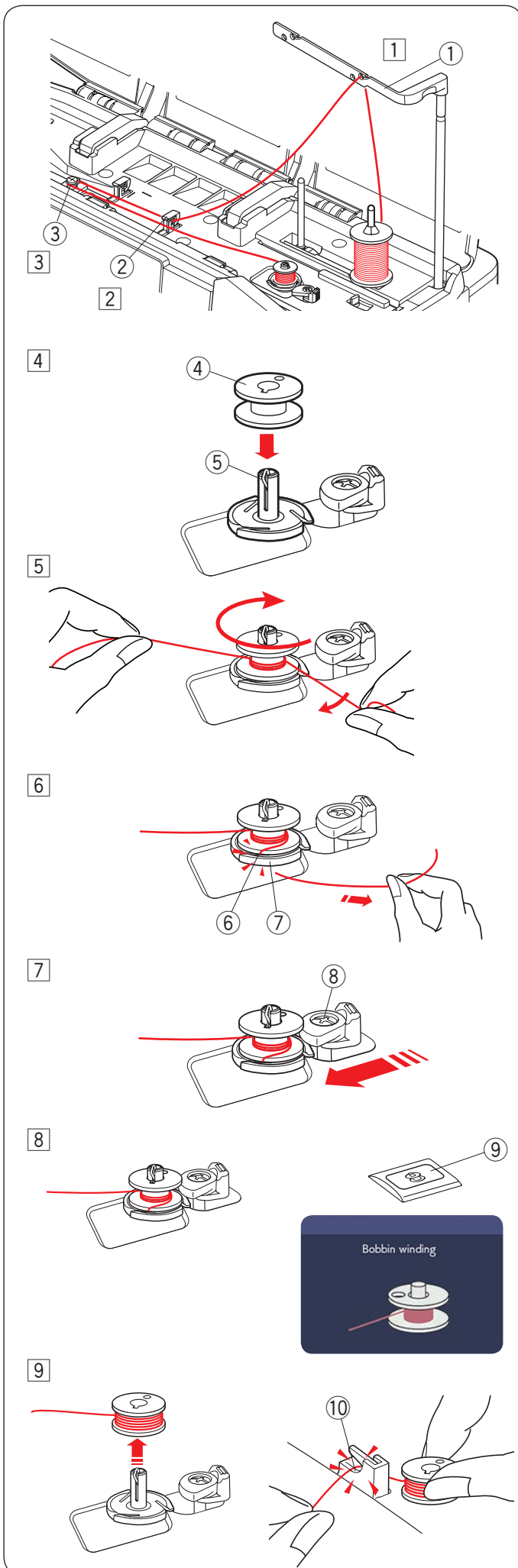
You can adjust the bobbin winding speed (refer to page 99).

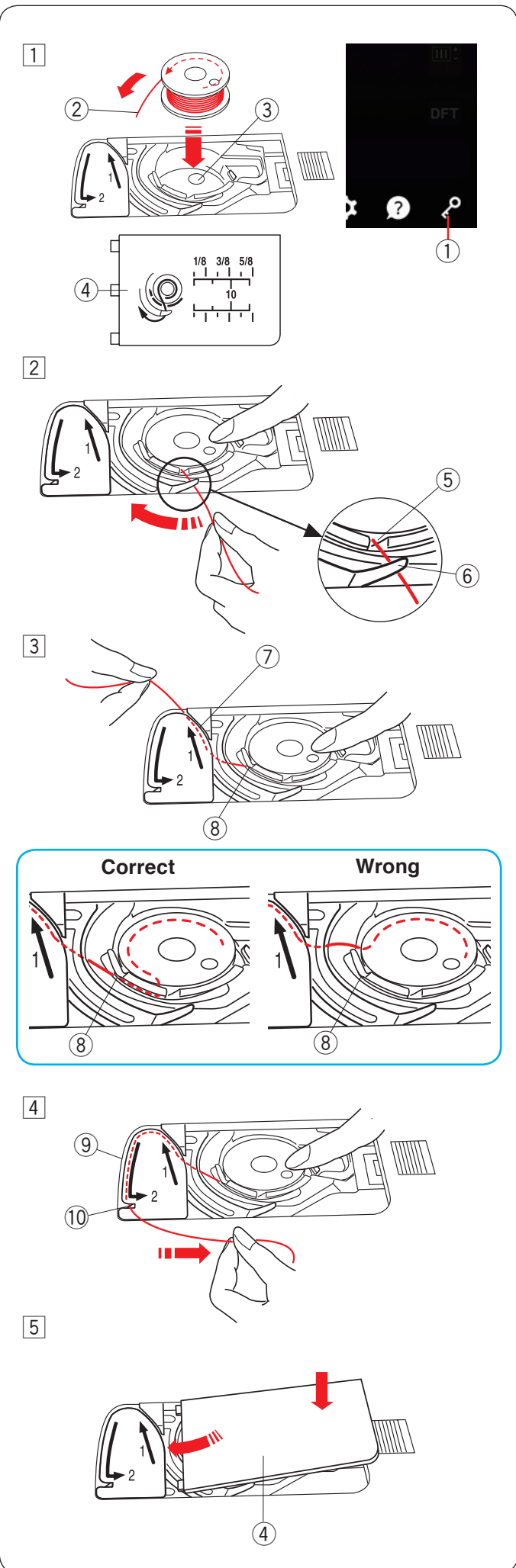
- 1 Raise the thread guide bar until it snaps.
Pass the thread through the guide on the thread guide bar from behind.
 - ① Thread guide bar
- 2 Pass the thread under the right thread guide.
 - ② Right thread guide
- 3 Pass the thread under the bobbin winding tension disk.
 - ③ Bobbin winding tension disk
- 4 Put the bobbin on the bobbin winder spindle.
 - ④ Bobbin
 - ⑤ Bobbin winder spindle
- 5 Pass the thread to the bobbin.
Hold the thread with both hands and wind it around the bobbin clockwise several times.
- 6 Insert the thread into one of the slits of the flange plate and pull the thread to cut.
 - ⑥ Slit
 - ⑦ Flange plate
- 7 Push the bobbin winder stopper to the left.
 - ⑧ Bobbin winder stopper
- 8 Press the bobbin winding button. The right touch screen will show the bobbin winding sign.
 - ⑨ Bobbin winding button

When the bobbin is fully wound, it will stop spinning and the bobbin stopper returns to its original position automatically.
- 9 Remove the bobbin. Cut the thread with the thread cutter (rightmost).
 - ⑩ Thread cutter (rightmost)

NOTE:

For safety purposes, the machine will automatically stop 1.5 minutes after starting bobbin winding.





Inserting the Bobbin

1 Press the lockout key.
Place the bobbin in the bobbin holder with the thread running off counterclockwise as shown on the hook cover plate.

- ① Lockout key
- ② End of thread
- ③ Bobbin holder
- ④ Hook cover plate

2 Hold the bobbin with your fingertip so it does not rotate.
Guide the thread into the front notch of the bobbin holder.
Pull the thread to the left to pass it under the guide.

- ⑤ Front notch
- ⑥ Guide

3 Draw the thread to the left to pass it into the guide path marked "1".
Make sure that the thread comes out from the side notch of the bobbin holder.

- ⑦ Guide path 1
- ⑧ Side notch

NOTE:

If the thread does not come out from the side notch, rethread from step 1.

4 Continue to draw the thread along the guide path marked "2" and pull the thread to the right through the slit. The thread will be cut to a proper length and held in place.

- ⑨ Guide path 2
- ⑩ Slit (Thread cutter)

5 Set the left edge of the hook cover plate into the opening.
Push the hook cover plate down to fit in place.

NOTE:

- Unless otherwise noted, you can start sewing without drawing up the bobbin thread.
- Refer to page 30 for how to draw up the bobbin thread.

Threading the Machine

CAUTION:

Always make sure to press the lockout key to lockout the machine before threading the machine.

- 1 Press the needle up/down button to raise the take-up lever to the highest position.
Press the lockout key to lockout the machine.
Press the presser foot lifter button to raise the presser foot.

- ① Needle up/down button
- ② Thread take-up lever
- ③ Lockout key
- ④ Presser foot lifter button

- 2 Raise the thread guide bar until it snaps.
Pass the thread through the guide on the thread guide bar from behind.

- ⑤ Thread guide bar

- 3 Pass the thread through the left thread guide.

- ⑥ Left thread guide

- 4 Hold the upper thread with both hands as shown and slip it under the thread guide plate.

- ⑦ Thread guide plate

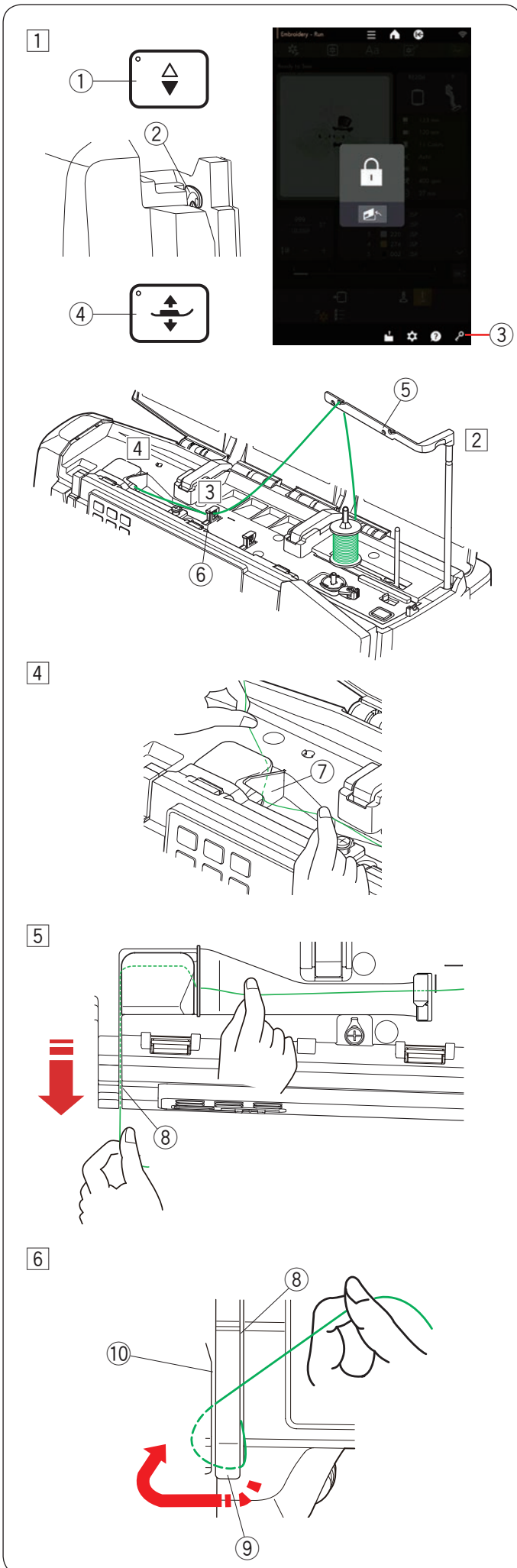
- 5 Draw the thread toward you and pass it into the right channel.

- ⑧ Right channel

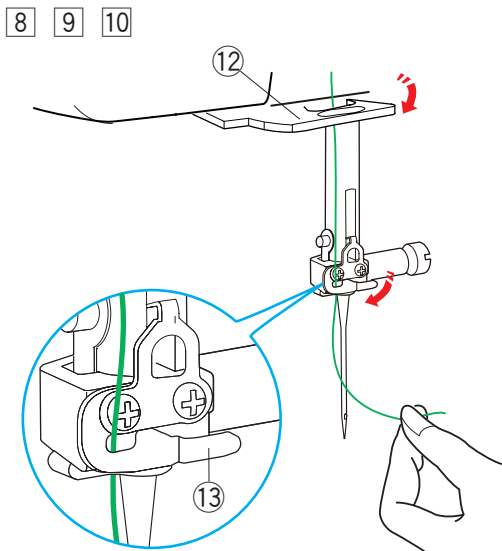
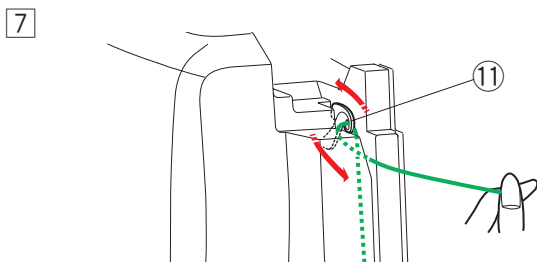
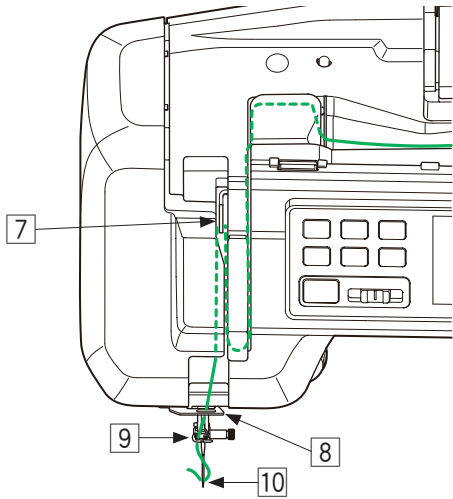
- 6 Draw the thread down along the right channel and around the bottom of the thread guide plate.

Pull the thread up along the left channel.

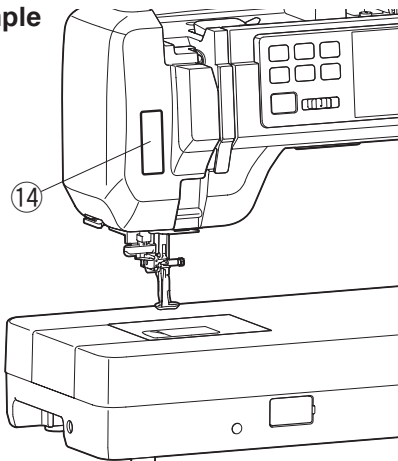
- ⑧ Right channel
- ⑨ Thread guide plate
- ⑩ Left channel



Threading the Machine (Continued)



Example



- 7 While holding the thread at the spool, firmly draw the thread up and to the back of the take-up lever. Draw the thread forward to draw it into the eye of the take-up lever.

11 Eye of the take-up lever

- 8 Then pull the thread down along the left channel and through the lower thread guide.

12 Lower thread guide

- 9 Slide the thread from the right of the needle bar thread guide to the left.

Be sure to slide the thread to the end of the slit as shown.

13 Needle bar thread guide

- 10 Thread the needle with the needle threader (refer to the next page).

Guide sticker for threading

There is a threading guide sticker in the standard accessories. If you wish, you can attach the sticker on the machine to check the threading procedure.

14 Threading guide sticker

Automatic Needle Threader

NOTE:

- The needle threader can be used with a #11 to #16 needle.
- Thread size 50 to 90 is recommended.
- Do not use thread size 30 or thicker.
- The needle threader cannot be used with the twin needle.

- 1 Press the needle up/down button to raise the needle. Press the lockout key to lock the machine.

- 1 Needle up/down button
- 2 Lockout key

- 2 Draw the thread through the slit of the needle threader. The thread should pass under the hook.

- 3 Slit
- 4 Hook (red part)

- 3 Pull the thread up and slip it between the thread cutter and face plate from behind.

Pull the thread toward you to cut.

- 4 Press the needle threader button.

- 5 Needle threader button

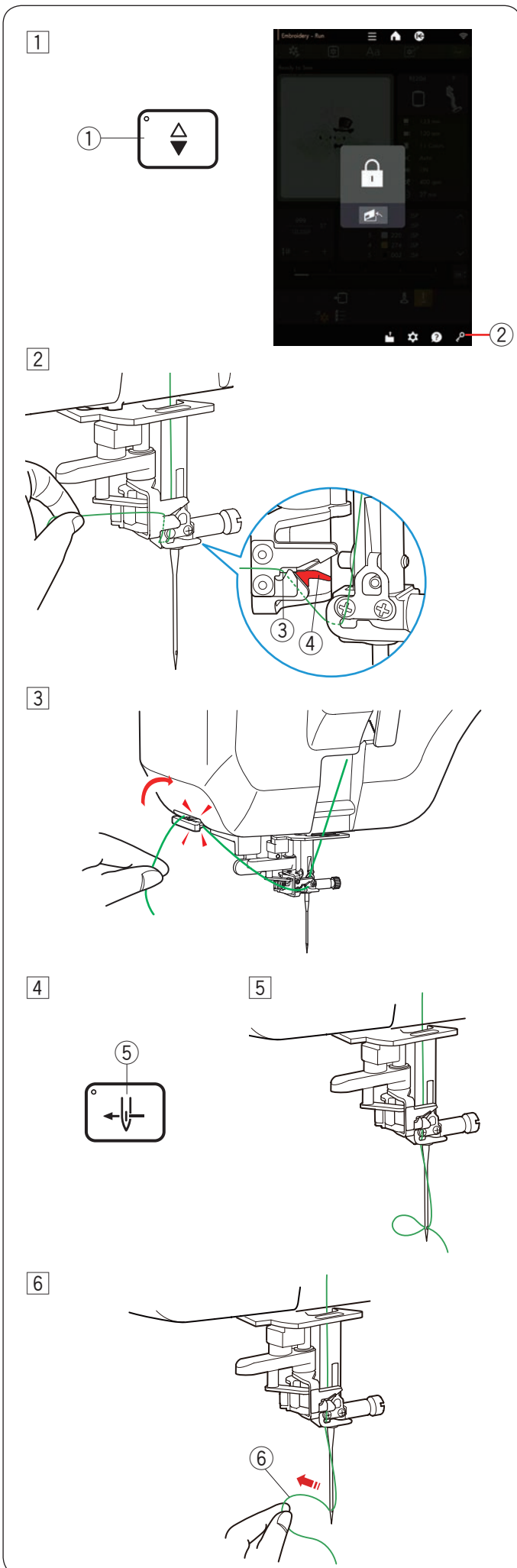
- 5 The needle threader will be automatically threaded through the needle eye.

- 6 Pull the thread loop to take the thread end out through the needle eye to the rear.

- 6 Thread loop

NOTE:

If the thread is caught in the hook and the thread loop is not formed, remove the thread from the hook and pull it to take the thread end out through the needle eye.



Drawing up the Bobbin Thread

You need to draw up the bobbin thread when sewing basting etc.

- 1 Remove the bobbin. Insert the bobbin into the bobbin holder again and rethread the bobbin holder according to the instructions on page 26, but leave a 10 cm (4") tail of bobbin thread as shown.

① Bobbin thread

NOTE:

Do not cut the bobbin thread with the thread cutter.

② Thread cutter

- 2 Raise the presser foot. Hold the needle thread lightly with your left hand.

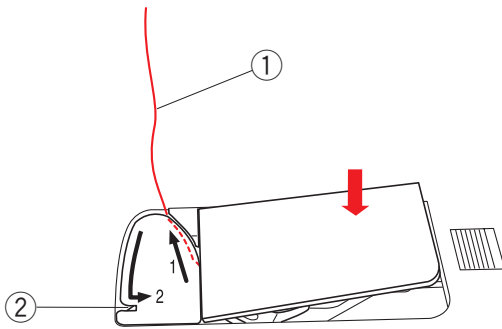
③ Needle thread

- 3 Press the needle up/down button twice to lower and raise the needle and pick up the bobbin thread.

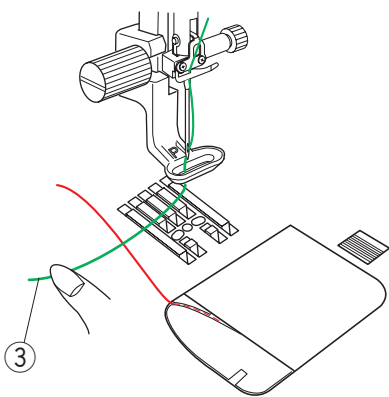
④ Needle up/down button

- 4 Pull both threads 10 cm (4") under and behind the presser foot.

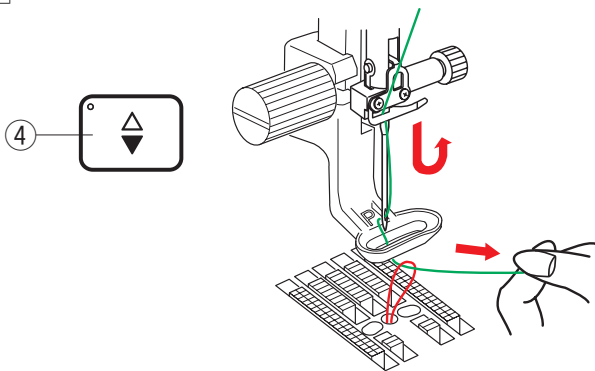
1



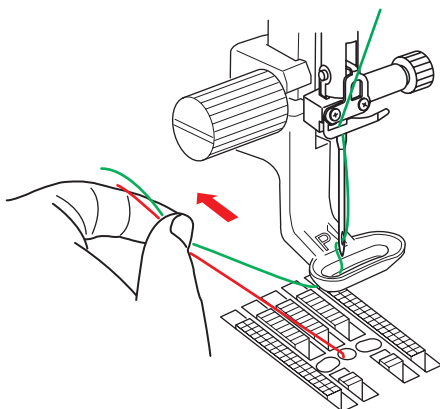
2



3



4



EMBROIDERY MODE

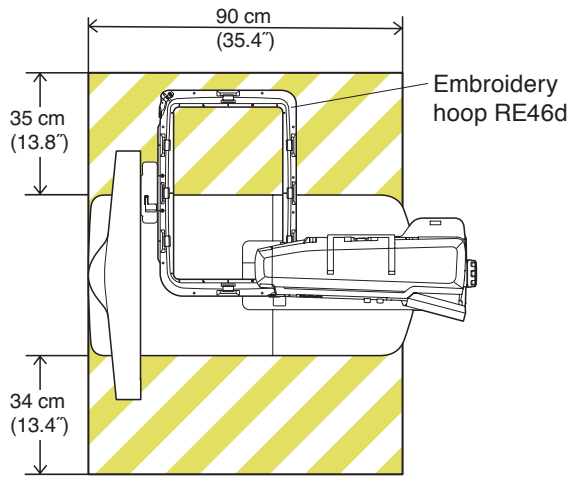
Embroidery Unit

NOTE:

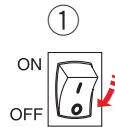
- Be sure to provide sufficient space around the machine to allow the hoop to move freely.
- Movable range for the embroidery unit with the largest hoop RE46d attached is as shown.
- Do not place anything inside the area shown on the left.

⚠ CAUTION:

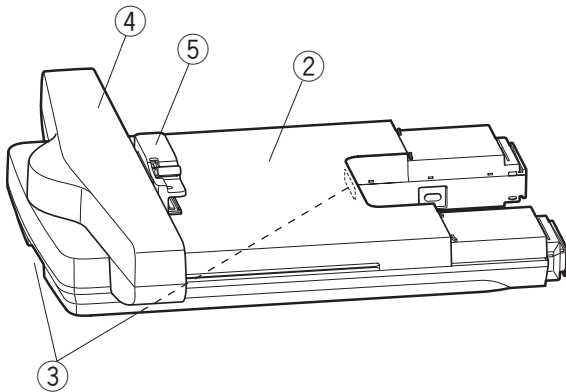
Do not attach the optic magnifier when sewing in embroidery mode.



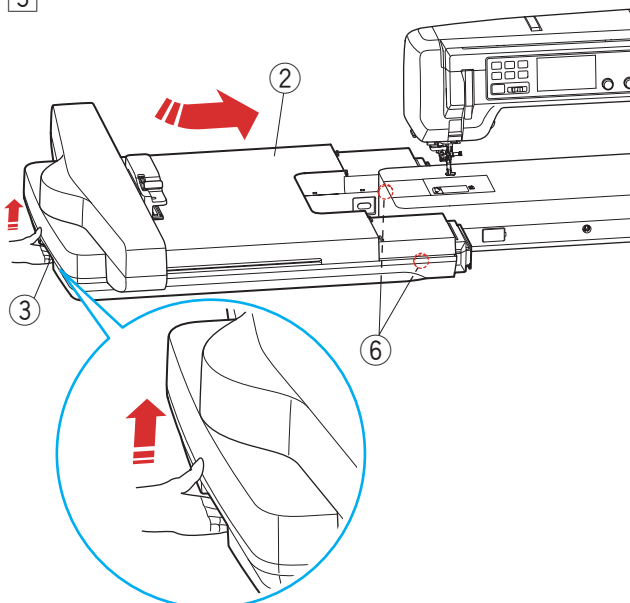
1



2



3



Attaching the embroidery unit

1 Turn the power switch off.

① Power switch

2 When attaching the embroidery unit to the machine, hold the carrying handles of the embroidery unit with both hands and place it to the left side of the machine.

② Embroidery unit

③ Carrying handles (embroidery unit)

⚠ CAUTION:

- Do not forcefully move the carriage or hoop socket by hand.
- Do not hold the carriage or hoop socket while it is moving.
- Failure to follow these instructions may result in damage to the carriage mechanism.

④ Carriage

⑤ Hoop Socket

3 Hold the left carrying handle on the embroidery unit and lift the unit slightly.

Slide the embroidery unit gently to the right as shown. Push the embroidery unit against the end.

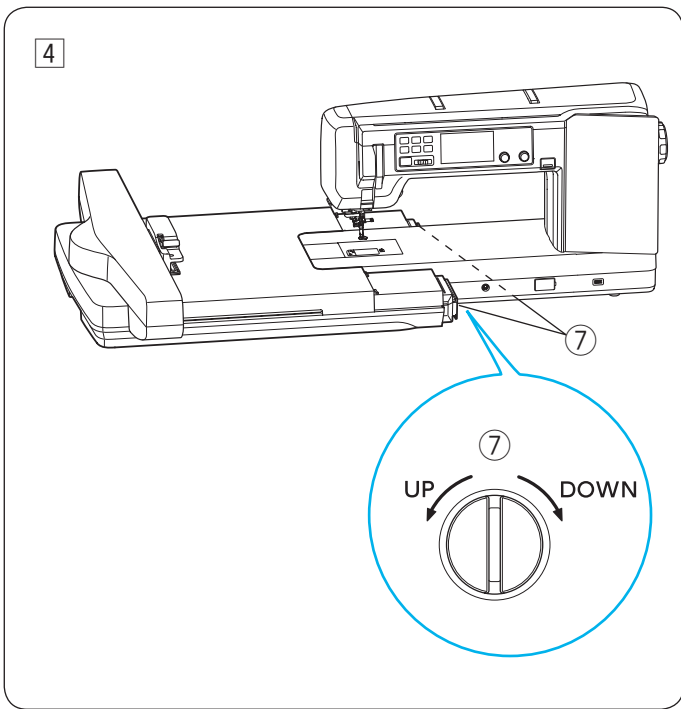
② Embroidery unit

③ Carrying handle (embroidery unit)

⚠ CAUTION:

You can smoothly slide the embroidery unit by lifting the unit and using two rollers on the bottom of the unit. Lifting the unit too high may cause difficulty in attaching the embroidery unit to the machine or breakage of connectors.

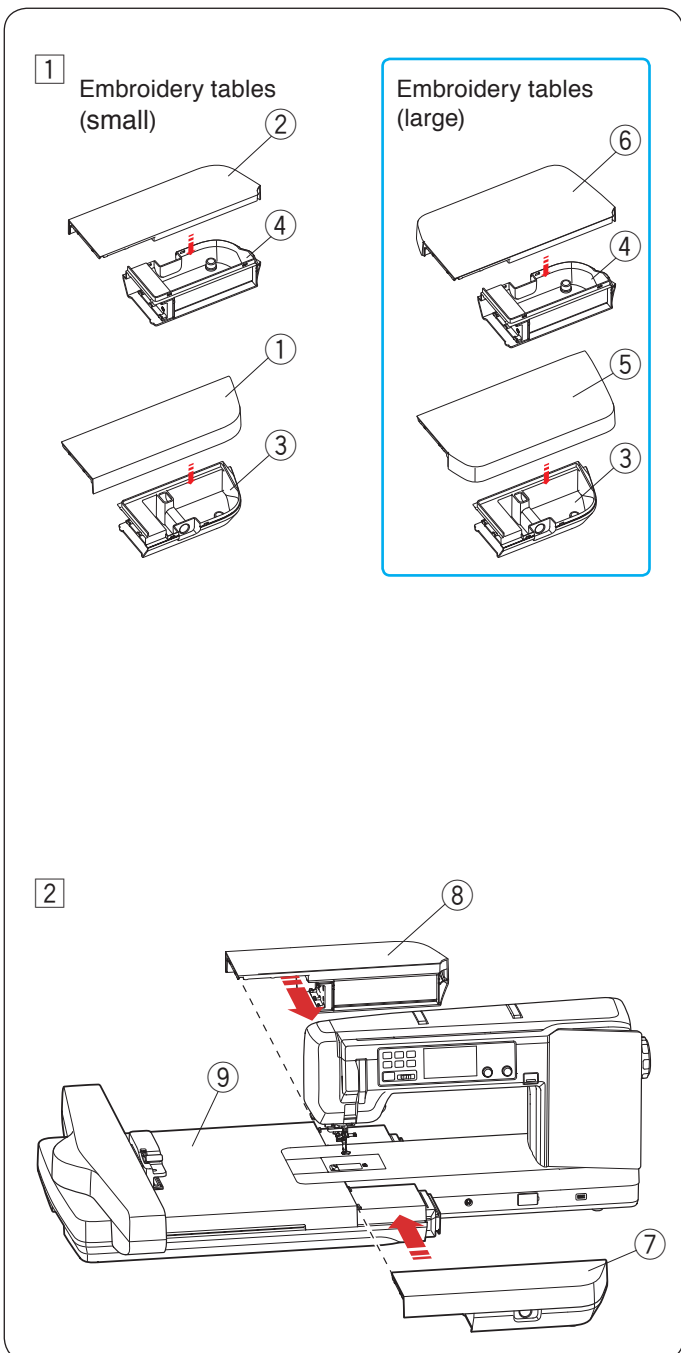
⑥ Rollers



- 4 You can adjust the height of the embroidery unit to match the height to the top of the machine bed as necessary.
- Adjust the height of the embroidery unit by turning the height adjusting dial with the screwdriver. Turn the height adjusting dial counterclockwise (UP) to raise the height, or clockwise (DOWN) to lower the height.
- ⑦ Height adjusting dial

⚠ CAUTION:

- Do not set the height of the embroidery unit too low. The rollers on the bottom of the embroidery unit must be in contact with the ground. Setting the embroidery unit height too low may cause rattling of the unit or skipped stitches.
- Use the screwdriver that came with the machine.
- Do not apply excessive force to the embroidery unit, otherwise it may cause damage to the unit's mechanism.



Attaching the embroidery tables

There are two pairs of embroidery tables.
 Embroidery tables (small): for SQ10d, RE20d, ASQ27d, SQ28d.

Embroidery tables (large): for RE46d only.

* Attach the embroidery tables (small) for the Ordinary Sewing mode.

The embroidery tables are composed of two parts; an upper table cover (small or large) and a lower table box (common). Select upper table covers as desired and attach them to lower table boxes.

You can store accessories in lower table boxes.

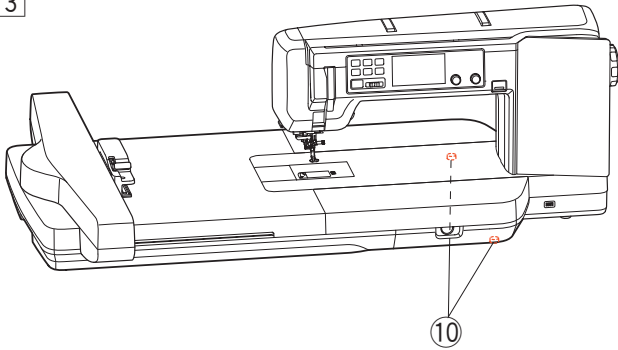
- 1 Attach upper table large/small covers (front and rear) to lower table boxes gently.
- ① Upper table small cover (front)
 - ② Upper table small cover (rear)
 - ③ Lower table boxes (front)
 - ④ Lower table boxes (rear)
 - ⑤ Upper table large cover (front)
 - ⑥ Upper table large cover (rear)

NOTE:

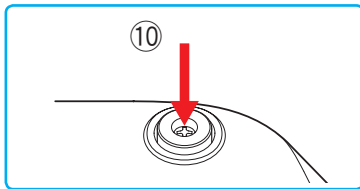
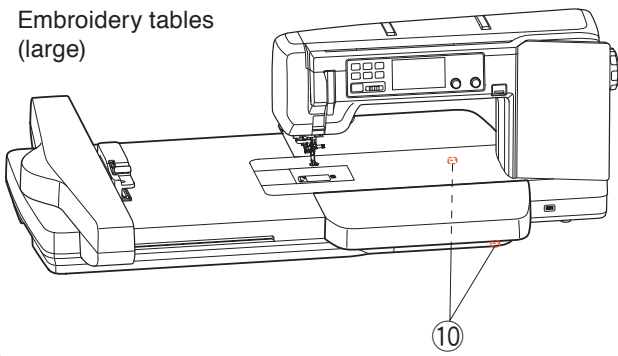
Be sure to attach the upper table covers firmly to the lower table boxes.

- 2 Attach embroidery table (front) and embroidery table (rear) to the embroidery unit as shown.
- Be sure to slide embroidery tables against the unit while aligning the height of tables to the embroidery unit.
- ⑦ Embroidery table (front)
 - ⑧ Embroidery table (rear)
 - ⑨ Embroidery unit

3



Embroidery tables (large)



3 You can adjust the height of the embroidery tables to match the height to the top of the machine bed as necessary.

Adjust the height of the embroidery tables by turning the height adjusting screw with a Phillips screwdriver*.

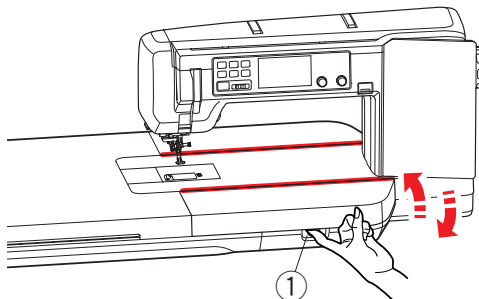
Turn the height adjusting screws counterclockwise (UP) with a Phillips screwdriver to raise the height, or clockwise (DOWN) to lower the height.

- Counterclockwise (UP): Raise the table height
- Clockwise (DOWN): Lower the table height

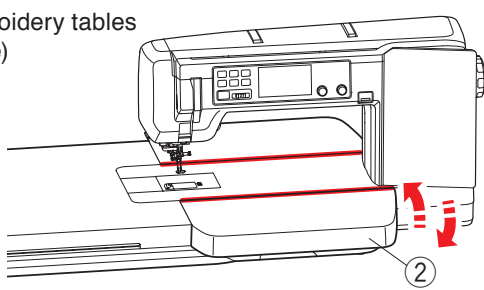
⑩ Height adjusting screw

* Phillips screwdriver is not included with the machine.

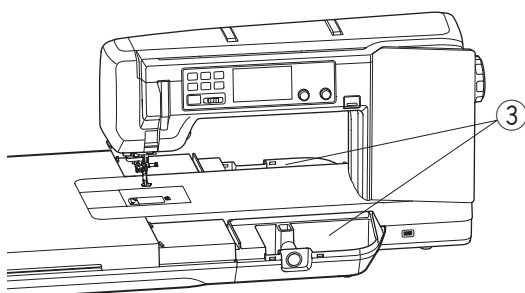
1



Embroidery tables (large)



2



Attaching and removing the embroidery tables

You can replace, attach or remove the upper table covers without removing the lower embroidery tables.

You can store accessories in lower table boxes.

1 Remove the upper table covers as shown.

Upper table cover (small) :

Insert your finger into the hole of the lower table box and remove the upper table cover as shown.

Upper table cover (large) :

Hold the front underside of the upper table cover and remove the upper table cover as shown.

① Hole

② Front underside of the table

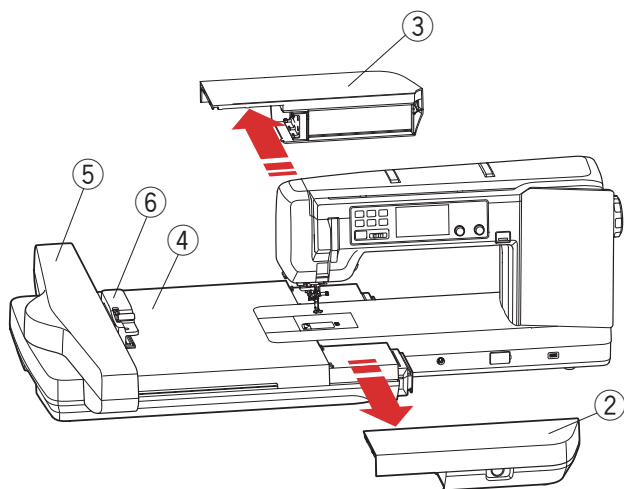
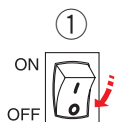
To attach the upper table cover (either small or large), hold the upper table cover and press the cover against the machine (toward the red line), and then press down the cover.

2 You can store accessories in lower table boxes.

③ Lower table boxes

Removing the embroidery unit and embroidery tables

1



CAUTION:

- Make sure to remove the embroidery tables before removing the embroidery unit.
- Be sure to remove the embroidery unit and embroidery tables when carrying or storing the machine.
- Failure to follow these instructions may result in damage to the embroidery unit and the embroidery tables.

1 Turn the power switch off.

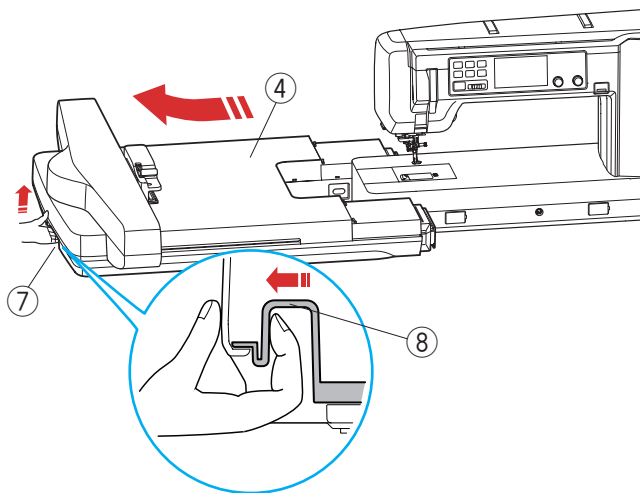
Slide the embroidery tables (front/rear) as shown to remove them from the embroidery unit.

- ① Power switch
- ② Embroidery table (front)
- ③ Embroidery table (rear)
- ④ Embroidery unit

CAUTION:

- Do not forcefully move the carriage or hoop socket by hand whether the machine is in operation or not. It may cause damage to the machine.
 - Failure to follow the instructions may result in damage to the carriage mechanism.
- ⑤ Carriage
 - ⑥ Hoop socket

2

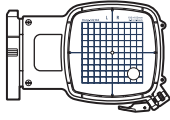


2 Place your fingers to the embroidery unit release lever at the left carrying handle of the embroidery unit. Pull the embroidery unit release lever and slide the embroidery unit gently to the left to remove it.

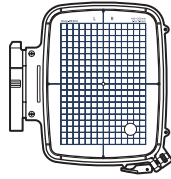
After the unit is completely removed from the machine, lift the carrying handle slightly to move the embroidery unit.

- ④ Embroidery unit
- ⑦ Carrying handle (embroidery unit)
- ⑧ Embroidery unit release lever

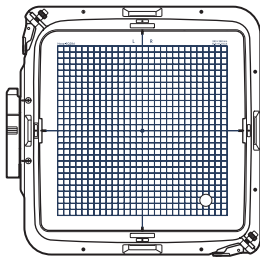
①



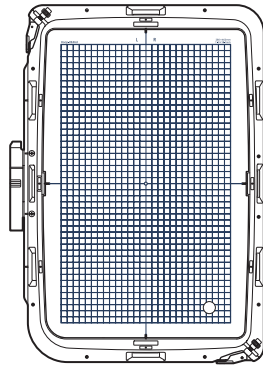
②



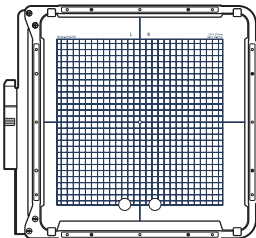
③



④



⑤



⑥



⑦



Embroidery Hoops

There are 5 embroidery hoops included in the standard accessories.

① Embroidery hoop SQ10d

A square embroidery hoop with a 10 cm (3.9") square embroidery area.

② Embroidery hoop RE20d

A rectangle embroidery hoop with a 14 cm by 20 cm (5.5" x 7.9") embroidery area.

③ Embroidery hoop SQ28d

A large square embroidery hoop with a 28 cm (11") square embroidery area.

④ Embroidery hoop RE46d

An extra large embroidery hoop with a 28 cm by 46 cm (11" x 18.1") rectangular embroidery area.

⑤ Embroidery hoop ASQ27d (Embroidery Quilting Kit)

A large embroidery hoop with a 27 cm (10.6") square embroidery area.

The embroidery hoop ASQ27d is used for embroidering quilt patterns on quilt layers.

There is no inner hoop but the quilt layers are held in the hoop by means of the magnetic clamps (refer to page 94).

⑥ Magnetic clamp (RE46d and SQ28d)

A short magnetic clamp for holding the fabric to the embroidery hoops RE46d and SQ28d.

⑦ Magnetic clamp (ASQ27d)

A long magnetic clamp for holding the fabric to the embroidery hoop ASQ27d.



Stabilizers

To create the best quality embroidery, it is important to use stabilizers.

In case the embroidery design pattern you are going to sew is dense, attach layers of stabilizers or a thick stabilizer on the back of the fabric for better sewing results.

How to use:

Attach the stabilizer to the wrong side of the fabric. You may need to use more than one layer. For firm fabrics, you may place a thin sheet of paper under the fabric.

The non-adhesive type should be used when embroidering fabric which cannot be ironed or for sections which are difficult to iron.

Cut the stabilizer larger than the embroidery hoop and set it on the hoop so that the entire piece is fastened to the hoop to prevent any looseness in the fabric.

Attaching the stabilizer

Place the wrong side of fabric and the glossy side of the stabilizer together. Fold up a corner of the stabilizer and fuse it with an iron.

NOTE:

- Fold up a corner of the stabilizer, to make it easier to peel off the excess stabilizer after stitching.
- Ironing temperatures vary depending on the kind of adhesive stabilizer you are using.

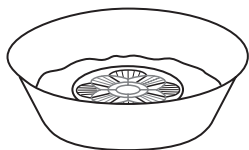
Types of the stabilizers

Type	Usage	Property
Tear-away	Stable woven fabrics	Made from a fiber that will tear easily.
Iron-on	Knits and all kinds of unstable fabrics	Adhesive type fusible with an iron.
Cut-away	Knits and all kinds of unstable fabrics	Non-woven fabric that does not tear.
Water soluble	Cutwork or lace embroidery. Right side of looped fabrics such as towels to avoid loops coming through the embroidery	A thin film that will dissolve in water.
Heat-away	Cutwork or lace embroidery	A thin film that will melt away with heat.

NOTE:

- Sticky type stabilizers can be used only for securing a small piece of fabric or work that cannot be secured in the hoop, or for securing velvet and other napped fabric that would be permanently marked by the hoop.
- Clean the bobbin holder after stitching as glue can get stuck on it.

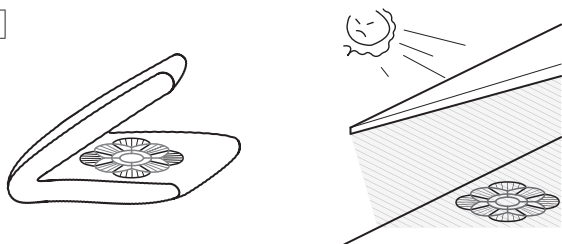
1



2



3



Using water soluble stabilizers (non-woven)

Unlike other stabilizers, you can remove the water soluble stabilizer by soaking the designs in a bowl of warm water.

Apply layers of water soluble stabilizers to fine fabrics such as tulle and organdie or brushed fabrics such as towel, velour, and corduroy for better sewing results.

You can embroider on the water soluble stabilizer directly to create designs without fabric, or three-dimensional embroidery designs by soaking lace designs.

NOTE:

- Do not use non-washable materials.
- Apply layers of water soluble stabilizers to the brushed fabrics such as towel, velour and corduroys for better sewing results.

- 1 After sewing, trim away the water soluble stabilizer cutting approximately 3/8 inch (1 cm) with scissors around the design pattern.

Remove the water soluble stabilizer by soaking the design in a bowl of warm water.

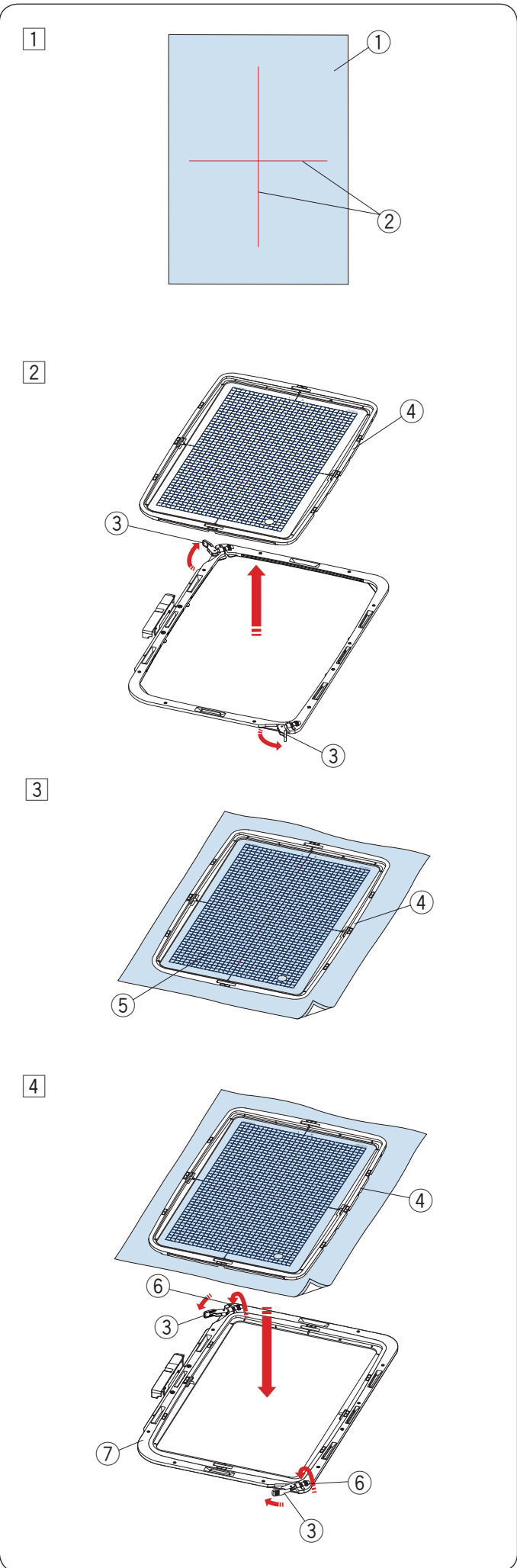
Change the warm water and soak the pattern for 10 more minutes to fully remove the stabilizer.

- 2 Rinse off the pattern several times to make the water soluble stabilizer softer.

NOTE:

Be careful not to rub the fabric too much to keep the shape of patterns.

- 3 After melting away the stabilizer, wipe off the water from the lace piece completely using a towel and dry it out in the shade.



Setting the Fabric in an Embroidery Hoop

- 1 Prepare a fabric and attach a stabilizer to the wrong side of the fabric.

The fabric and stabilizer should be larger than the hoop size.

Draw centerlines on the fabric with tailor's chalk.

- ① Fabric
- ② Centerlines

NOTE:

There is no inner hoop for embroidery hoop ASQ27d. Refer to page 94 for how to attach a fabric.

- 2 Turn the outer hoop levers in the direction of the arrows and remove the inner hoop.

* For RE46d and SQ28d, there are two levers.

- ③ Outer hoop lever
- ④ Inner hoop

- 3 Lay the inner hoop and template on the fabric, matching the centerlines of the fabric with the template.

- ④ Inner hoop
- ⑤ Template

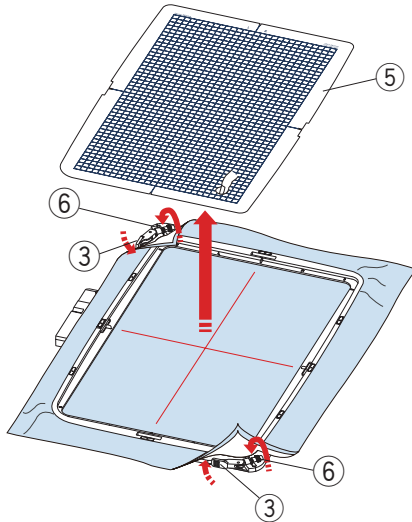
- 4 Push the inner hoop and fabric into the outer hoop.

Turn the outer hoop levers halfway (in the direction of the arrows) and turn the hoop tightening screws with your fingers.

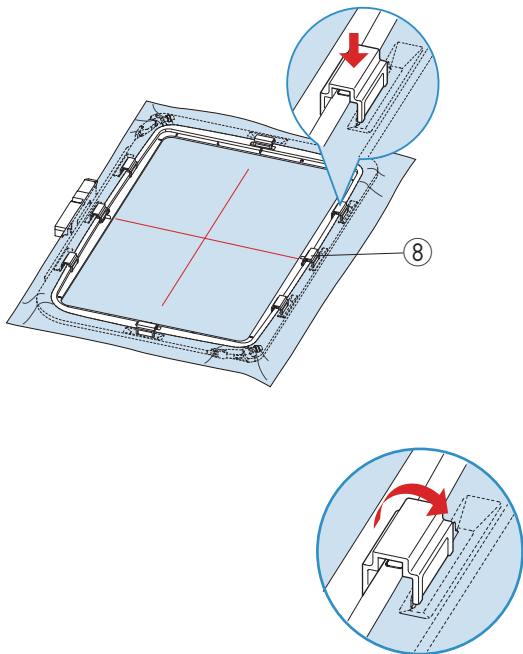
* There are two kinds of hoop tightening screws, for RE46d and for SQ28d.

- ③ Outer hoop lever
- ④ Inner hoop
- ⑥ Hoop tightening screw
- ⑦ Outer hoop

5



6



- 5 Pull the four sides of the fabric to stretch it tight. Make sure that the fabric is stretched tightly in the hoop. Turn the outer hoop levers in the direction of the arrows. Tighten the hoop tightening screw with your finger until it stops. Remove the template.
- ③ Outer hoop lever
 - ⑤ Template
 - ⑥ Hoop tightening screw
- * There are two outer hoop levers for the hoops RE46d and SQ28d.

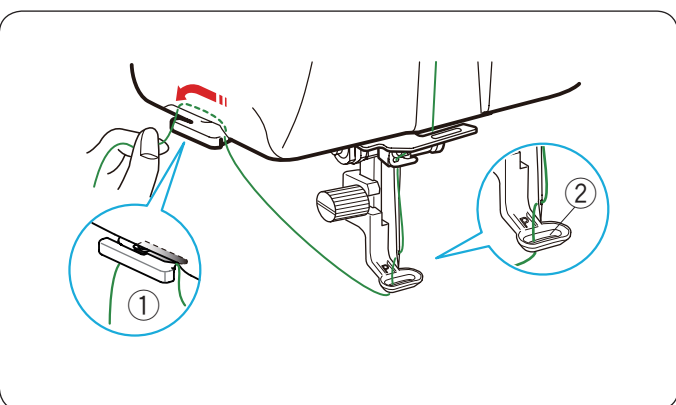
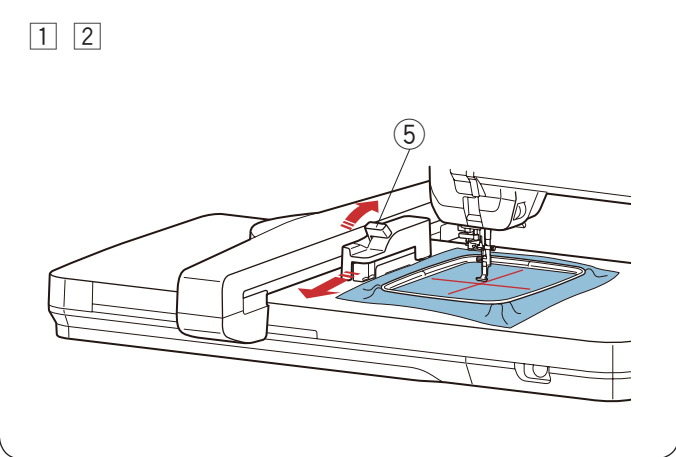
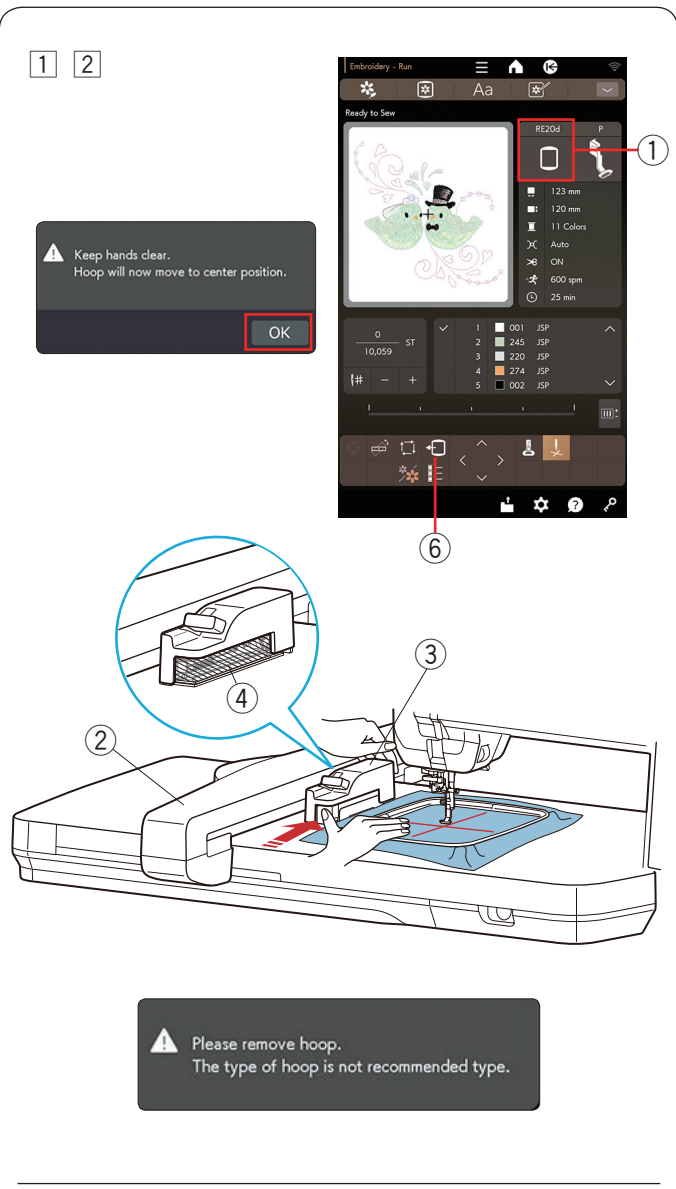
- 6 Clamp the fabric to the hoop with the magnetic clamps. (Use the magnetic clamps for RE46d and SQ28d hoops only.) Set short magnetic clamps when using SQ28d and RE46d (4 clamps for SQ28d, 8 clamps for RE46d).
- ⑧ Magnetic clamps

⚠ CAUTION:

- The magnetic clamps can damage items such as credit cards, floppy disks etc.
- Do not use the magnetic clamps near the person with a pacemaker or other medical implants which may be affected by the strong magnetic field.

- * After sewing, pull the magnetic clamps in the direction of arrow to remove them. Turn the outer hoop levers and remove the fabric.

NOTE:
Thick layers of fabric and stabilizer may cause skipped stitches, or broken threads and needles. Avoid sewing on layers thicker than 3 mm (1/8").



Attaching the Embroidery Hoop to the Machine To attach:

- 1 Select or edit the desired embroidery pattern.
Press the OK key and a warning message will appear.
Press the OK key and the carriage moves to starting position.
The screen changes to the Ready to Sew window.

- 2 The correct hoop is displayed on the Ready to Sew window.

Attach the hoop to the carriage.

Hold the rear of the hoop socket with your left hand and slide the embroidery hoop firmly to the carriage as shown.

- 1 Embroidery Hoop
- 2 Carriage
- 3 Hoop Socket

NOTE:

- When you use a hoop other than the one displayed on the Ready to Sew window, a caution message will appear. You may not be able to start the machine unless you attach the correct hoop to the machine. Select the hoop on the editing window to change the embroidery hoop (refer to page 77).
- Make sure the fabric is not caught around the hoop socket (shadowed area in the balloon) when attaching the embroidery hoop.

- 4 Around the hoop socket


To remove:

- 1 Raise the embroidery hoop release lever in the direction of the arrow as shown to remove the embroidery hoop.

- 5 Embroidery hoop release lever

- 2 Slide the embroidery hoop toward you to remove the hoop from the carriage.

NOTE:

Press the hoop back key, and press the  key to move the carriage to the center position when you need to remove the hoop from the carriage (refer to page 54).

- 6 Hoop back key

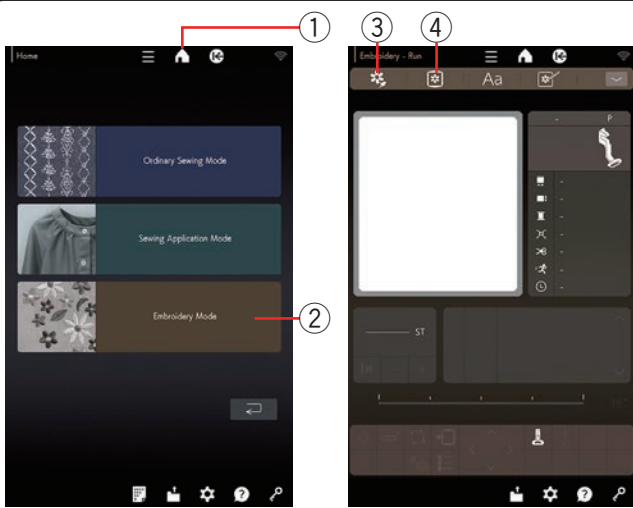
Thread Holder

To avoid sewing over a tail of the needle thread, place the thread end on the thread holder.

Pass the needle thread through the hole in the embroidery foot and draw it up to the thread holder.

Hang the thread on the thread holder from front to back.

- 1 Thread holder
- 2 Hole in the embroidery foot



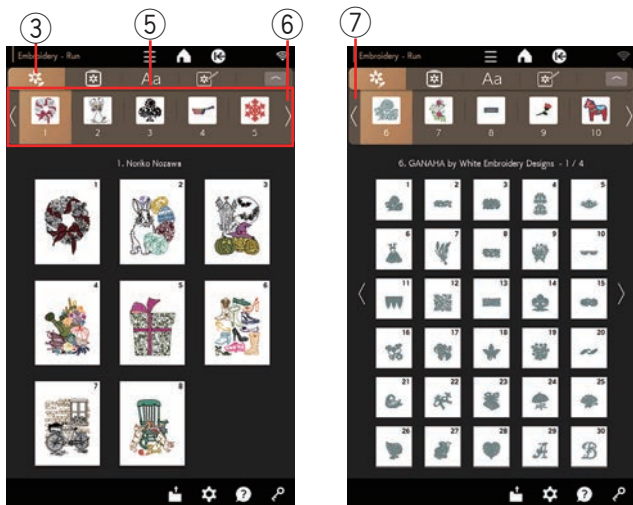
Selecting Built-in Embroidery Designs

Press the home key to go to home window. Press embroidery mode key to open the embroidery mode window.

- ① Home key
- ② Embroidery mode key

Press the design category key to browse the design list by design category, or press the design selection key to browse the designs by hoop size.

- ③ Design category key
- ④ Design selection key



Design category

Press the design category key to show the design category selection keys (1 to 5) on the top of the screen, and the first page of the selected design category.

Press the next page key on the right end of the design category selection keys to browse the next design category (6 to 10). Press the previous page key to browse the previous design category.

There are 40 categories available on this machine.

- ③ Design category key
- ⑤ Design category selection keys
- ⑥ Next page key
- ⑦ Previous page key

Category 1 to 5

1. Noriko Nozawa
2. Nicola Elliott
3. Nina Matsumoto
4. GANAHA Collections
5. GANAHA by Redwork Designs

Category 6 to 10

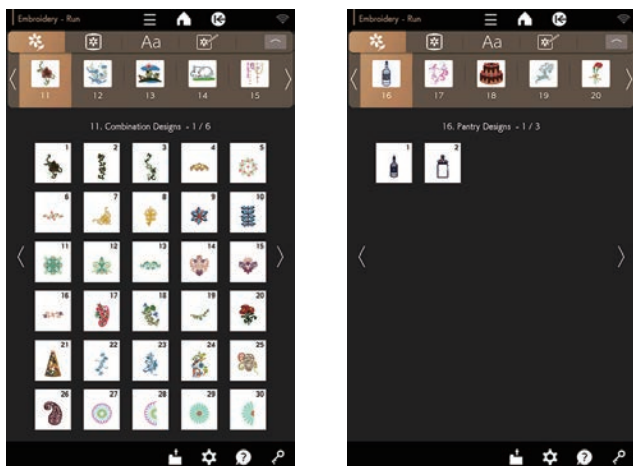
6. GANAHA by White Embroidery Designs
7. Dressmaking Designs
8. Buttonhole Patterns
9. Buttonhole Decorations
10. World Designs

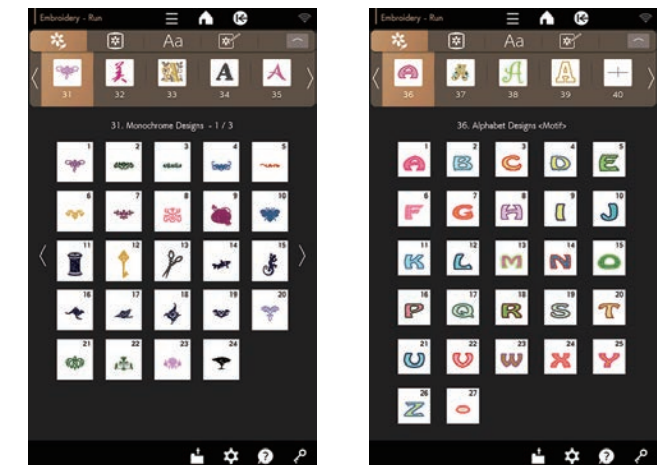
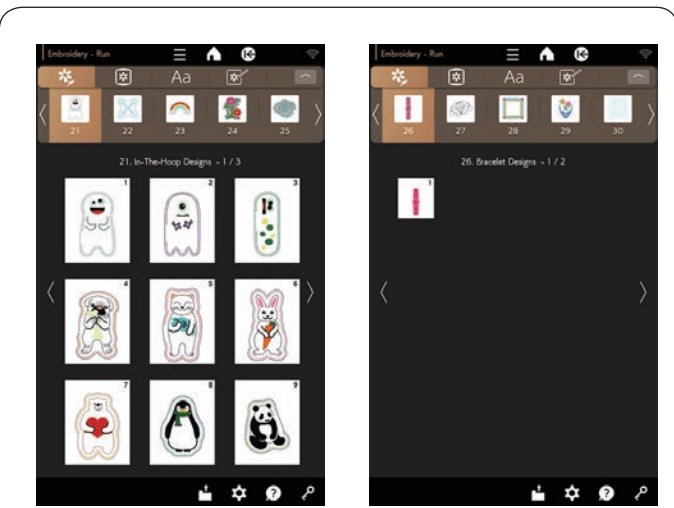
Category 11 to 15

11. Combination Designs
12. Floral and Garden Designs
13. Favorite Designs
14. Baby & Children Designs
15. Decorative Designs

Category 16 to 20

16. Pantry Designs
17. Seasons and Special Occasions Designs <Wedding>
18. Seasons and Special Occasions Designs <Birthday>
19. Seasons and Special Occasions Designs <Christmas>
20. Seasons and Special Occasions Designs <Others>





Category 21 to 25

- 21. In-The-Hoop Designs
- 22. Quilting Designs
- 23. Cross-stitch Designs
- 24. Designs for water soluble stabilizer
- 25. Designs for fabric

Category 26 to 30

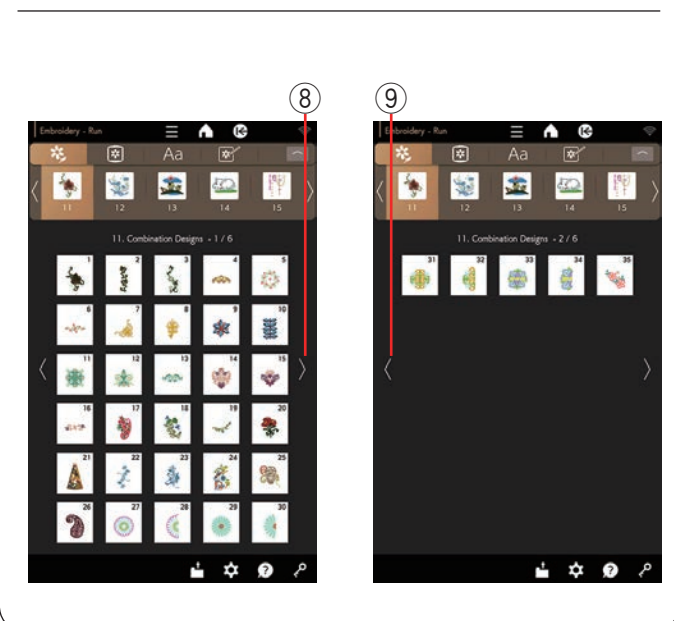
- 26. Bracelet Designs
- 27. Couching Designs
- 28. Fringe Designs
- 29. Border Designs
- 30. Sashiko Designs

Category 31 to 35

- 31. Monochrome Designs
- 32. Word Designs
- 33. Alphabet Designs <Flourish>
- 34. Alphabet Designs <Cross Stitch>
- 35. Alphabet Designs <Hana>

Category 36 to 40

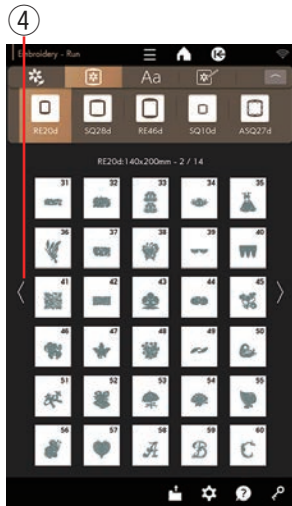
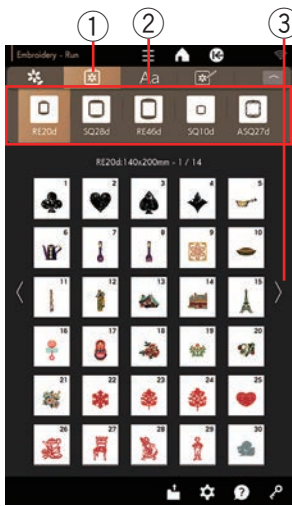
- 36. Alphabet Designs <Motif>
- 37. Alphabet Designs <Floral>
- 38. Alphabet Designs <Curly>
- 39. Alphabet Designs <American Applique>
- 40. Calibration Pattern



Press the desired design category selection key, and the first page of the selected design list will open.

Browse the pattern list with the previous/next page keys, and select the desired pattern by pressing the pattern selection key.

- ⑧ Next page key
- ⑨ Previous page key



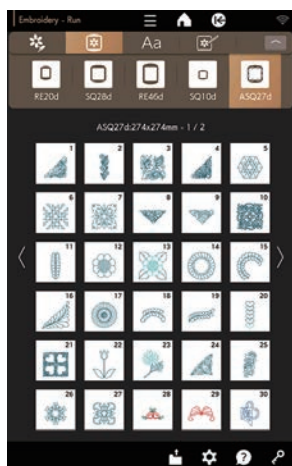
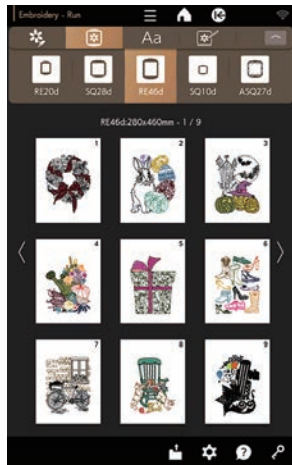
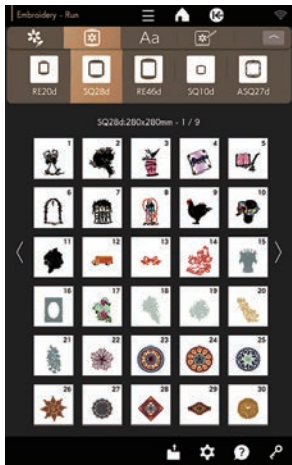
Hoop size

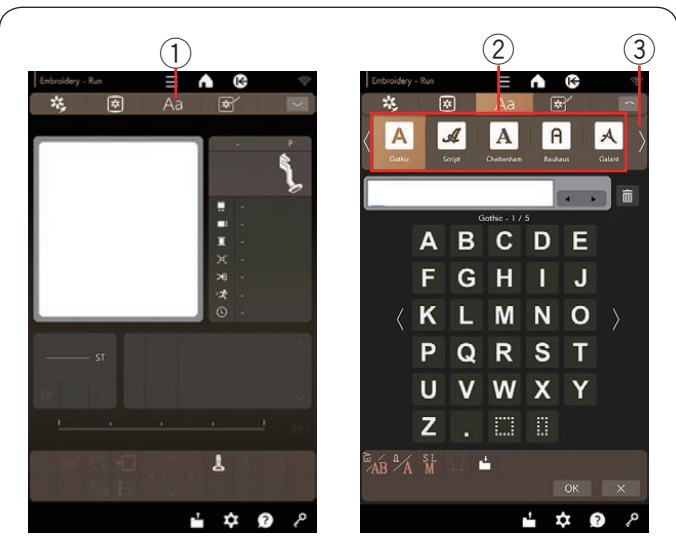
Press the design selection key to show the hoop keys on the top of the screen and the first page of the pattern list.

Select the same hoop as the one attached to the machine.

Browse the pattern list with the previous/next page keys, and select the desired pattern by pressing the pattern icon.

- ① Design selection key
- ② Hoop key
- ③ Next page key
- ④ Previous page key





Monogramming

Press the monogram key to show monogram selection keys on the top of the screen and the first page of the Gothic font.

Press the next page key on the right end of the monogram selection keys to browse the next monogram selection key page. Press the previous page key on the left end of the monogram selection keys to browse the previous monogram selection key page.

- ① Monogram key
- ② Monogram selection key
- ③ Next page key
- ④ Previous page key

You can select one of the 14 fonts for monogramming as well as Border patterns, Normal Sew patterns, 2-Letters and 3-Letters.

The following fonts and patterns are available:

Monogram 1 to 5

- Gothic
- Script
- Cheltenham
- Bauhaus
- Galant

Monogram 6 to 10

- Typist
- Brush
- First Grade
- Hollowblock (upper case only)
- Jupiter (upper case only)

Monogram 11 to 15

- Micro Gothic
- Cyrillic 1
- Cyrillic 2
- Cyrillic 3
- Border

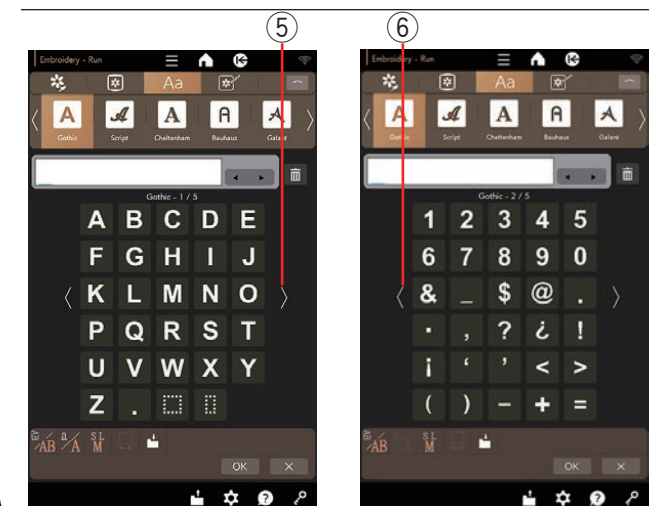
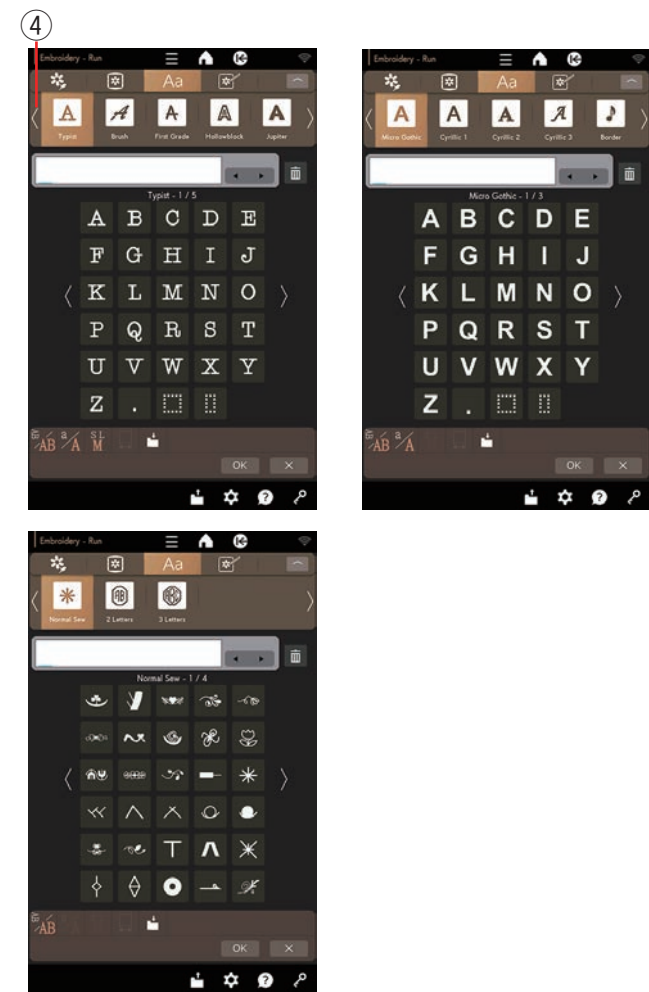
Monogram 16 to 18

- Normal Sew (patterns similar to ordinary stitches)
- 2-Letters
- 3-Letters

Browse pages with the previous/next page keys.

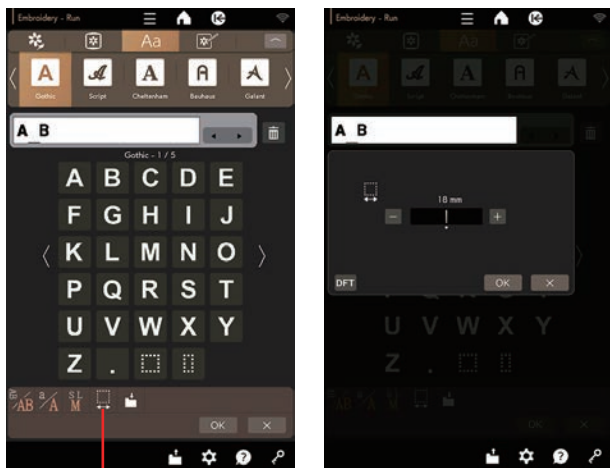
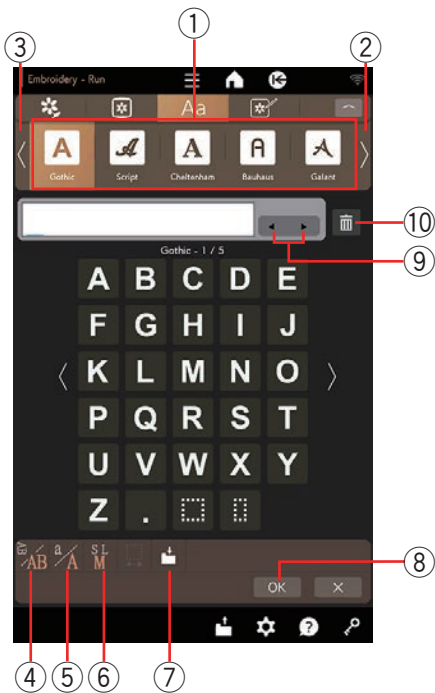
You can enter alphabet letters, numbers, symbols and European letters.

- ⑤ Next page key
- ⑥ Previous page key



NOTE:

The height of Micro Gothic font is approximately 5 mm.



Function keys

① Monogram selection keys window

Press the select key to select fonts. Press the next page key/previous page key to browse pages.

- ② Next page key
- ③ Previous page key

④ Lettering orientation key

Press this key to select the horizontal or vertical orientation.

⑤ Letter case key

Pressing this key changes the letter case from upper case to lower case and vice versa.

⑥ Letter size key

You can select the following 3 letter sizes by pressing this key.

The approximate letter sizes of upper case are as follows:

- L (Large):** 30 mm (1.2")
- M (Medium):** 20 mm (0.8")
- S (Small):** 10 mm (0.4")

⑦ Save file key

Pressing this key opens the save file window and allows you to save the text or monogram as a file.

⑧ OK key

Press this key to confirm your entry and open the embroidery window.

⑨ Cursor key

Press these keys to move the cursor to the left or right.

⑩ Delete key

Press this key to delete a character above the cursor.

⑪ Space adjust key

This key is activated only when a space is entered.

If the spaces between characters look uneven, insert a blank space between characters and adjust the space width to justify.

Press this key to open the space adjustment window.

To increase the space width, press the "+" key.

To decrease the space width, press the "-" key.

NOTE:

The space width is shown only in millimeters.

Programming a monogram

Example: Programming “R&B” in Gothic style font.

Enter “R”, the cursor shifts to the right and “R” is automatically memorized.

Press the letter size key and select small size.

① Letter size key

Enter “&”, the cursor shifts to the right and “&” is automatically memorized.

Press the letter size key and select medium size.

Enter “B”, the cursor shifts to the right and “B” is automatically memorized.

Press the OK key and a warning message will appear. Press the OK key and the carriage moves to starting position.

The screen changes to the Ready to Sew window.

Color change

You can sew a multi-colored monogram by changing the thread color of each letter if you press the color change key before sewing.

The machine will stop automatically when each character has been sewn.

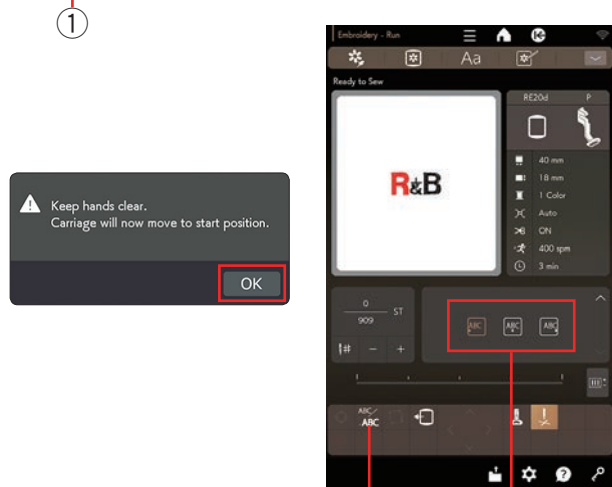
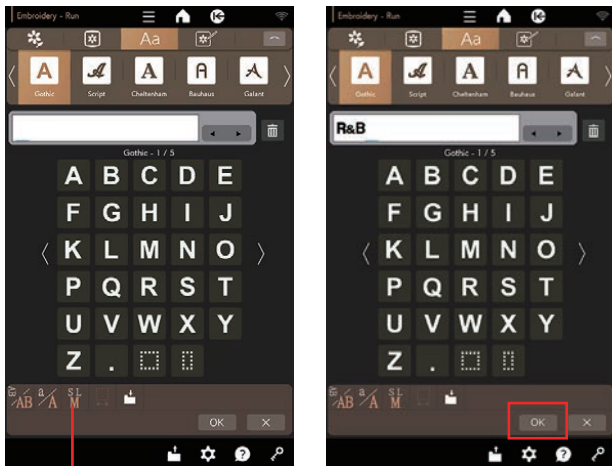
Change the thread to the next color and start sewing again.

② Color change key

Change monogram placement

You can select monogram placements by the Monogram placement key (refer to “Monogram placement” below).


③ Monogram placement key




Monogram placement

You can select one of 3 monogram placements: left justify, center justify and right justify.


① Left Justify

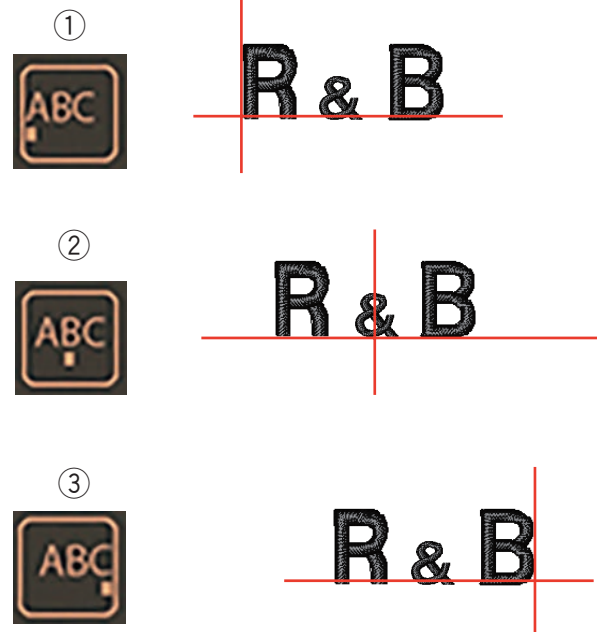
Press the  key to start sewing from the left end reference line on the template.

② Center Justify

Press the  key to sew in the center of the hoop.

③ Right Justify

Press the  key to sew from the right end reference line on the template.

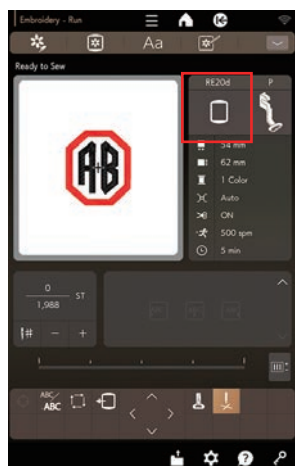
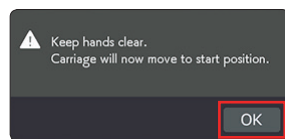
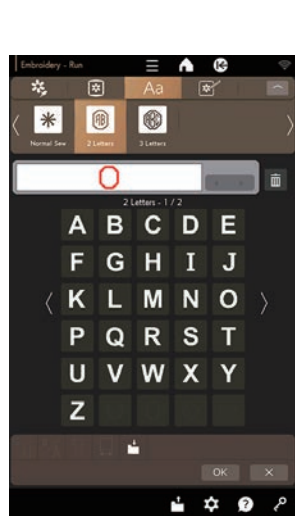
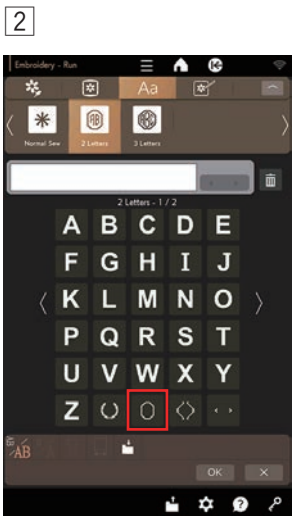
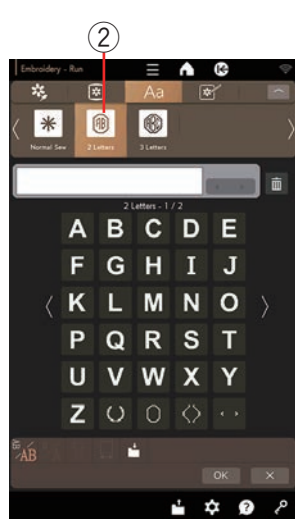


2-Letter monogram

Example: 2-Letter in an octagon

1 Press the next page key in the monogram selection keys window to change pages. Press 2-letter key.

- ① Next page key
- ② 2-letter key



2 Select the octagon.

3 Enter "A" and "B".

Press the OK key and a warning message will appear.

Press the OK key and the carriage moves to the starting position.

The screen changes to the Ready to Sew window.

After confirming the size of the embroidery hoop, in the Ready to Sew window, set the hoop to the carriage (refer to page 40).

Press the edit key and select the hoop in the editing window when changing the hoop (refer to page 77).

NOTE:

- The 3-letter monogram is sewn in the same way as the 2-letter monogram.
- The starting position for the 2-letter and 3-letter monogram is at the center of the hoop.

Editing a monogram

- 1 Deleting a character: Deleting “R” from “MART”
Press the cursor key to move the cursor under “R”
The color of the selected character with the cursor turns blue.

① Cursor key

- 2 Press the delete key and the letter “R” is deleted.

② Delete key

- 3 Inserting a character: Inserting “E” into “MAT”
Press the cursor key to move the cursor to the next character “A” to insert “E” before “A”.

① Cursor key

- 4 Enter “E”.

The letter “E” is inserted before “A”.

Ready to Sew Window

The Ready to Sew window shows embroidery function keys and information on the selected pattern.

Function keys

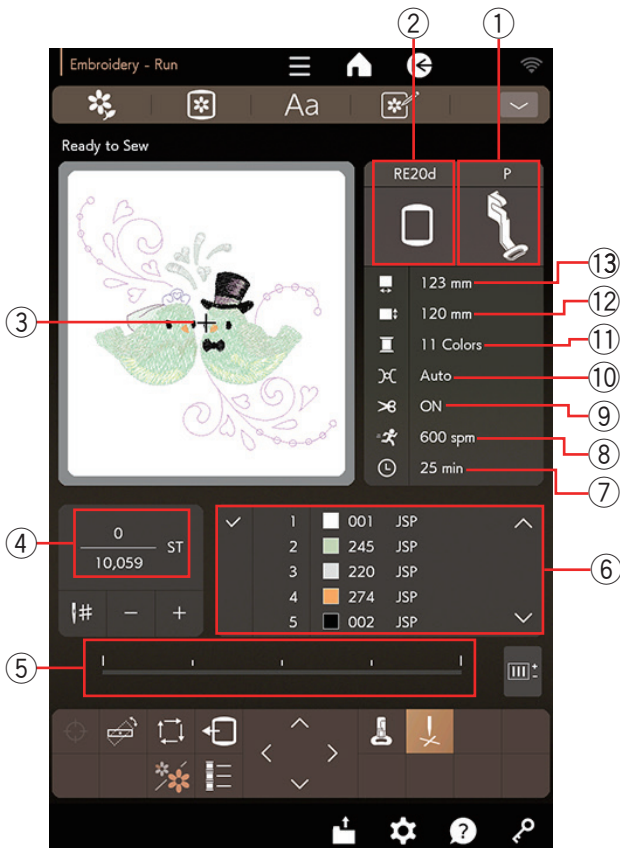
- ① Stitch forward key
- ② Stitch back key
- ③ Jump key
- ④ Hoop back key
- ⑤ Trace key
- ⑥ Positioning marker key (refer to pages 18-19)
- ⑦ Fine position/angle adjustment key
- ⑧ Color section key
- ⑨ Color list key
- ⑩ Jog key
- ⑪ Embroidery foot key
- ⑫ Cross key
- ⑬ Adjust key
- ⑭ Next color section key
- ⑮ Previous color section key

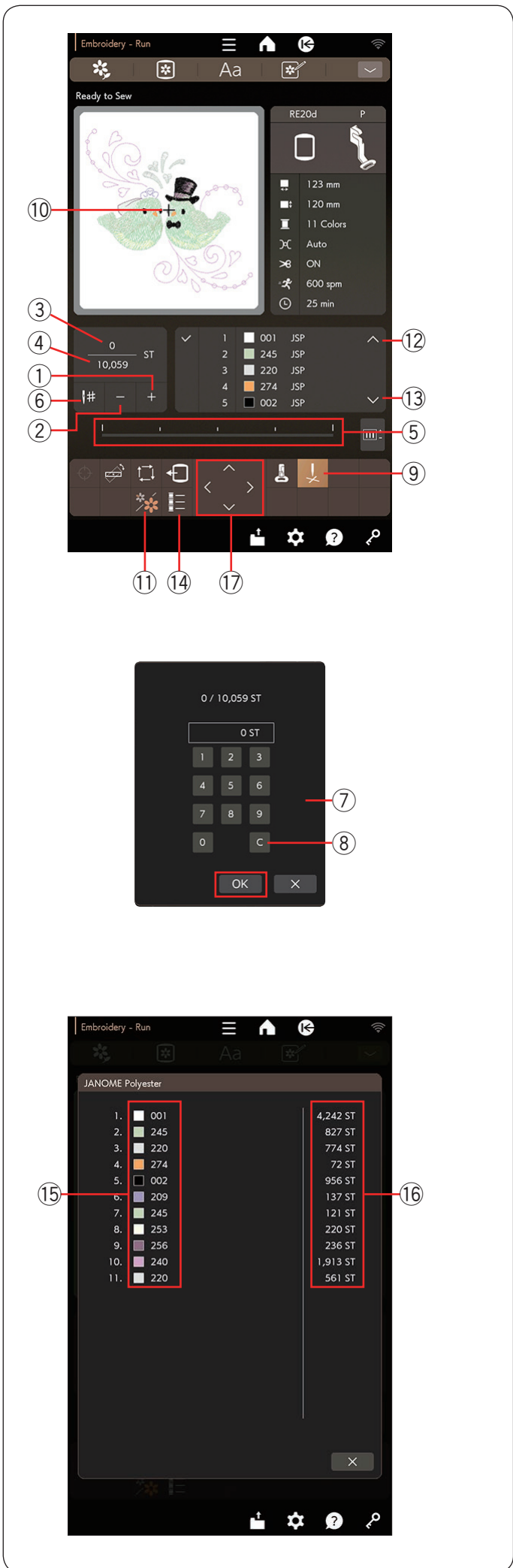


Pattern information

The right touch screen displays the following details:

- ① Presser foot type
- ② Hoop size
- ③ Cross mark (current needle position)
- ④ Stitch count
- ⑤ Progress bar
- ⑥ Thread color
- ⑦ Required sewing time
- ⑧ Maximum sewing speed
- ⑨ Auto thread cutting
- ⑩ Tension setting
- ⑪ Number of thread colors (layers)
- ⑫ Vertical dimension of the design
- ⑬ Horizontal dimension of the design





Stitch back/forward keys

Press the “-” key to move the hoop back to a previous sewing point. Press the “+” key to move the hoop ahead. The hoop will move one stitch each time the key is pressed. Hold down the key to travel faster and jump 10, 100 or 500 stitches at a time. The stitch count and the total number of stitches are displayed in the stitch count window.

You can use these keys to move the embroidery hoop to where the thread has broken or run out.

- ① Stitch forward key
- ② Stitch back key
- ③ Stitch count
- ④ Total number of stitches

The progress bar appears when the stitch count increases, and indicates the progress of the embroidery sewing project. When the project is completed, the progress bar returns to 0.

- ⑤ Progress bar

Jump key

If you want to jump to the desired sewing point directly, press the jump key and the numeric keypad window will open. Enter the desired stitch count number and press the OK key. Press the clear key to delete the stitch count number and reset to 0.

The hoop moves to the sewing point you entered.

- ⑥ Jump key
- ⑦ Numeric keypad window
- ⑧ Clear key

Cross key

Press the cross key to display the current sewing point as a cross mark. Press the cross key again to hide the cross mark.

- ⑨ Cross key
- ⑩ Cross mark (Current sewing point)

Color section key

Press this key to show the complete image of the selected design or partial image of each color section only.

To view the next color section, press the next color section key. To view the previous color section, press the previous color section key.

You can sew only the specific color section by pressing the next color section key until the desired section is displayed.

- ⑪ Color section key
- ⑫ Previous color section key
- ⑬ Next color section key

Color list key

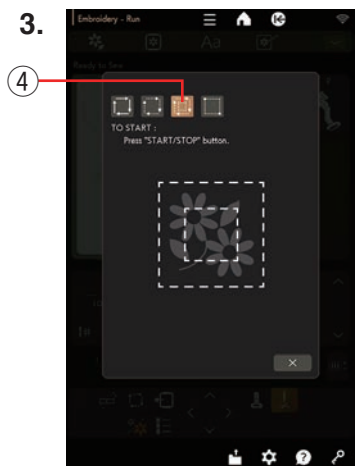
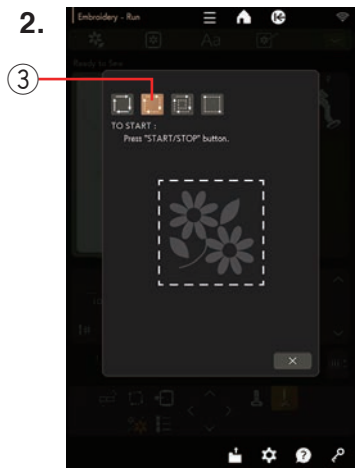
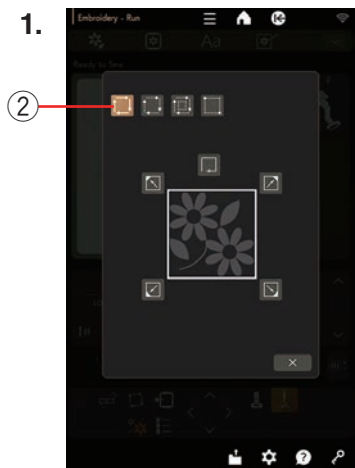
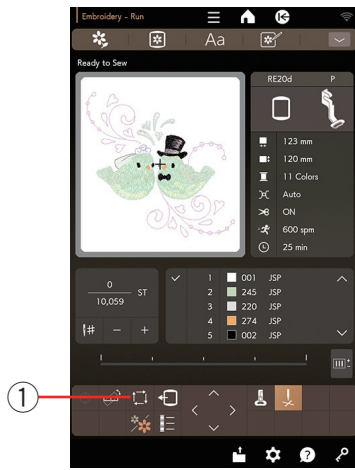
Press the color list key to show the color list of the selected design. The list shows the color of threads to be used, the sewing order of the threads, and the stitch count for the threads to be sewn.

- ⑭ Color list key
- ⑮ Thread colors
- ⑯ Number of stitches

Jog keys

Adjust the hoop position with the jog keys so that the needle position comes right above the center of the reference lines on the fabric.

- ⑰ Jog keys



Trace key

You can check the size of the embroidery area by tracing the pattern outline without stitching or with basting stitches.

Press the trace key and the trace option window will open.


① Trace key



NOTE:

- The machine will baste around the embroidery area with a 5 mm allowance. However, the allowance will be null if the pattern spreads over the maximum limit of embroidery area.
- Lower the presser foot if the presser foot is raised with the presser foot lifter when tracing and basting.
- It is recommended to bring up the bobbin thread before pressing the start/stop button (refer to page 30).


The following 4 options are available:

1. Trace without stitching

Press the  key ② to open the trace without stitching window.


Press the trace key  to start tracing or press one of the  keys to move the hoop to a corner.

2. Trace and baste (single)

Press the  key ③ to open the trace and baste (single) window.

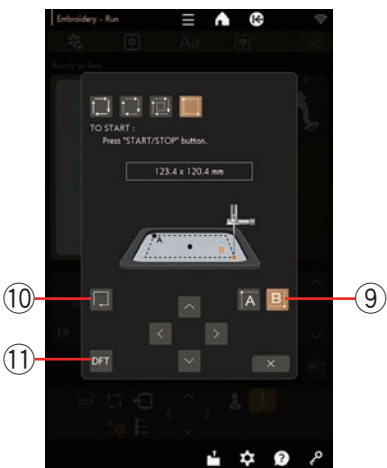
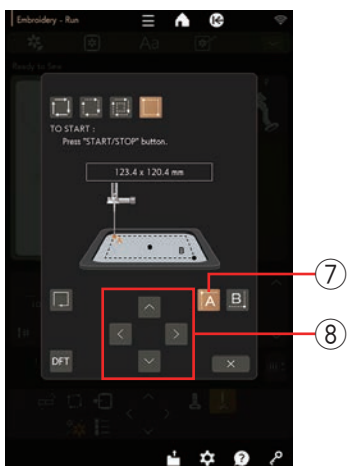
Press the start/stop button to start tracing with basting stitches.

3. Trace and baste (double)

Press the  key ④ to open the trace and baste (double) window.

Press the start/stop button to start tracing with basting stitches. First, the machine bastes inside the pattern then traces the pattern outline with basting stitches.

4.



4. Custom trace and baste

The machine will baste around the embroidery area with a 5 mm allowance when the **[A]** keys are pressed. However, you can customize the tracing and basting area size by pressing the **[A]** key ⑤.

You can set the tracing and basting area by indicating the left upper corner and lower right corner of the tracing and basting area.

Press the **[A]** key ⑤ to open the custom trace and baste window.

The size of the tracing and basting area is displayed in the center of the window ⑥.

Press the **[A]** key ⑦ and a warning message will appear. Press the OK key and the carriage moves to the left upper corner of the basting area.

Press the jog keys ⑧ to move the carriage to the desired position.

Press the **[B]** key ⑨ and the carriage moves to the right lower corner of the basting area.

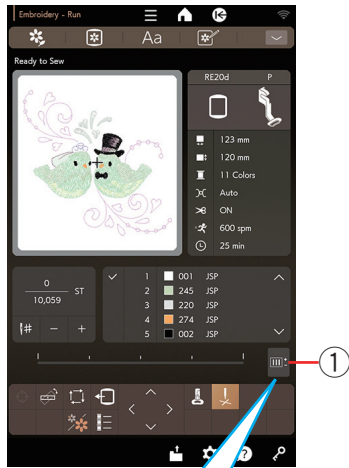
Press the jog keys ⑧ to move the carriage to the desired position.

Press the trace key ⑩ to trace the set area without basting.

To trace and baste, pull the needle thread up to bring the bobbin thread up on the needle plate (refer to page 30) then press the start/stop button.

To return the trace and baste area to its default settings, press the default key ⑪.

To close the tracing option window, press the X key.



Adjust key

Press the adjust key to open the manual setting window.

① Adjust key

* You can make the same adjustments on the middle touch screen.

② Middle touch screen

You can adjust the following settings in this window.

③ Auto thread tension level

Press the “+” or “-” key to adjust the thread tension to your preference.

④ Cutting the tails of jump threads

This option is can be used when the “jump thread cutting length” setting or “cutting command” is activated (refer to page 102).

Press the “+” or “-” key to adjust the tail length of jump thread.

⑤ Embroidery foot height

Press one of the fabric icon keys (⑥ or ⑦) to select the recommended height or press the “+” or “-” key to fine tune the foot height.

Press the plain fabric key for fine fabrics (foot height 1.7 mm) .

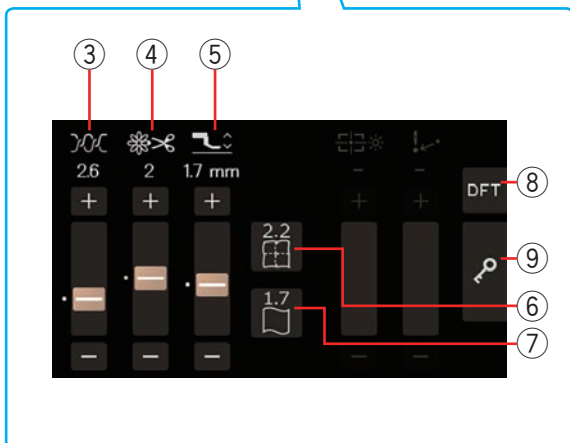
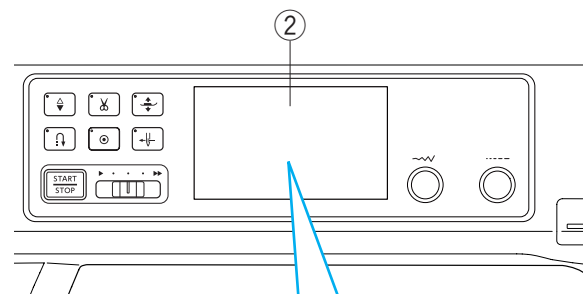
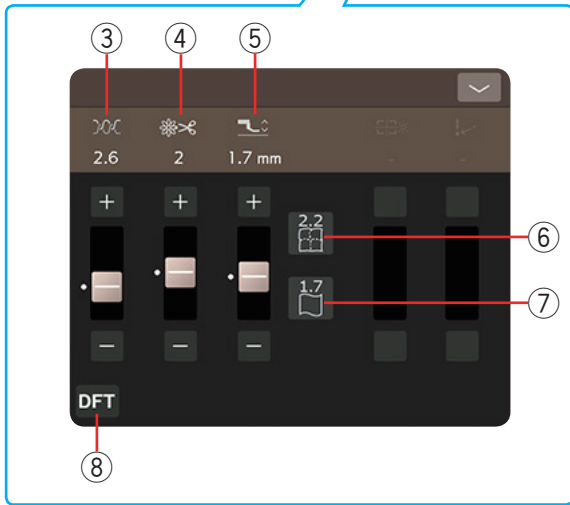
Press the quilting key for quilts (foot height 2.2 mm)

⑥ Quilting key

⑦ Plain fabric key

To return to the default settings, press the default key.

⑧ Default key

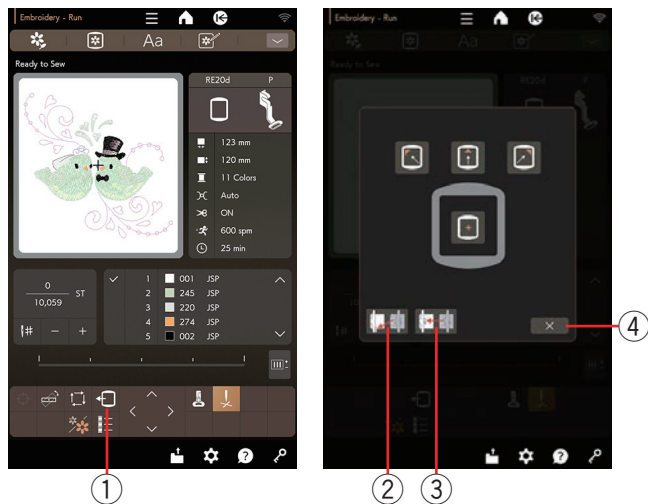


NOTE:

- You can also change the setting with “+” or “-” key and slider on the middle touch screen.
- You can also press the default key and the lockout key on the middle touch screen.

⑧ Default key

⑨ Lockout key



Hoop back key



Raise the needle by pressing the needle up/down button, if the needle is in the down position.
Press the hoop back key and hoop back option window will open.


① Hoop back key

Press the home position key or the packing position key and the confirmation window will open. Press the OK key to move the carriage to the selected position and return to the Ready to Sew window.

② Home position key

③ Packing position key

Press one of the   keys to move the carriage to a standby position.

Press the  key to move the carriage to the center position.

Press the X key to close the hoop back option window.

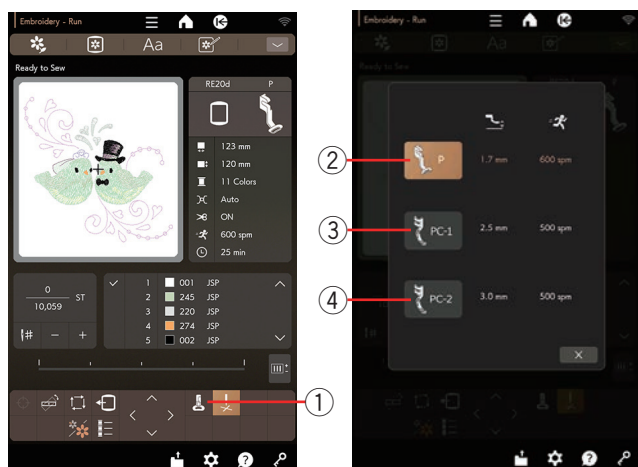
④ X key

The hoop will go back to the original position when pressing the start/stop button.

NOTE:

The hoop will move to the original position when pressing the following keys in the hoop back option window.

- Hoop back key, stitch forward key, stitch back key, jump key, jog key, trace key, fine position/angle adjustment key, positioning marker key, previous color section key, next color section key, monogram placement key.



Embroidery foot key

Press this key to open the embroidery foot window.
Press one of the presser foot icon keys (2, 3 or 4).
The presser foot height and the sewing speed will be automatically adjusted to suit the selected presser foot.

① Embroidery foot key

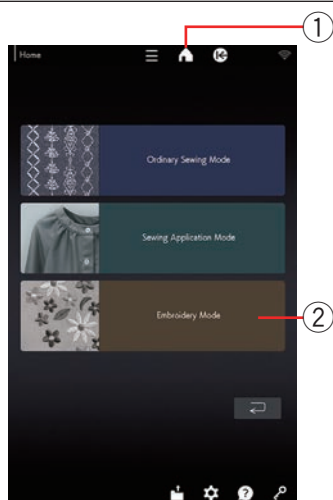
② Embroidery foot (P)

③ Couching foot (PC-1)

④ Couching foot (PC-2)

NOTE:

Select and attach couching feet (PC-1 or PC-2) only when selecting couching designs.

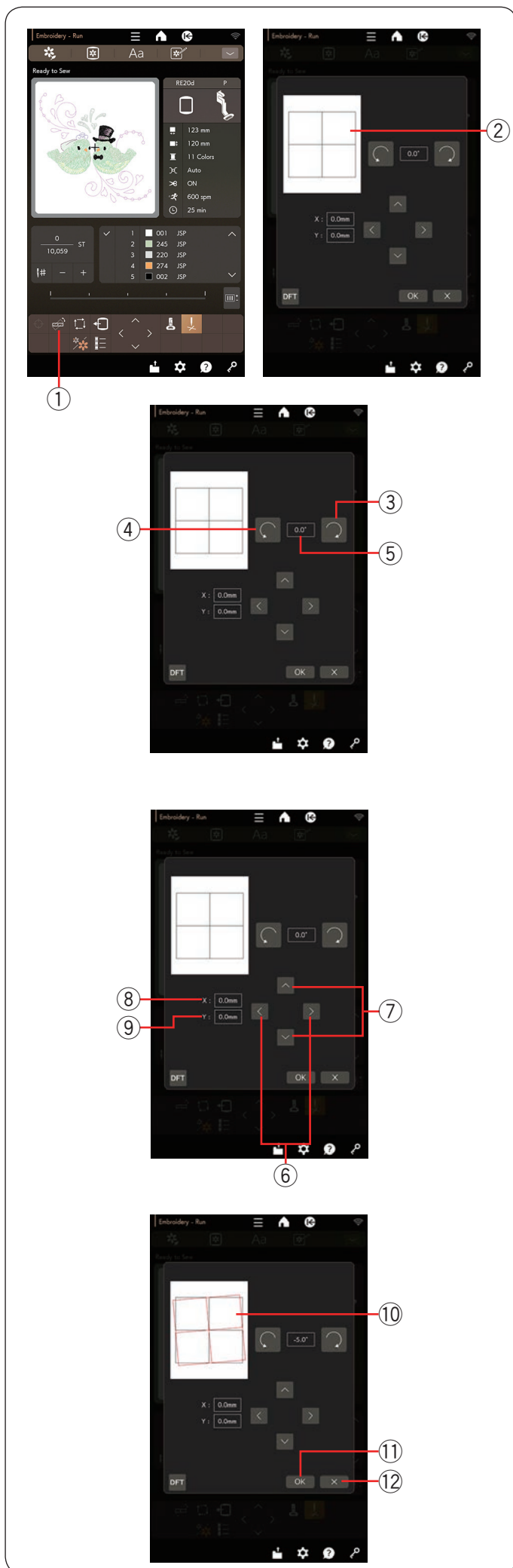


Embroidery mode key

Press the home key to go to home window. Press the embroidery mode key to open the embroidery mode window.

① Home key

② Embroidery mode key



Fine position/angle adjustment key

You can make fine adjustments to the position or angle of the embroidery design without removing the embroidery hoop from the machine.

Press the fine position/angle adjustment key.

The original embroidery design position is previewed as a rectangle.

- ① Fine position/angle adjustment key
- ② Rectangle

Rotating a design

You can make fine adjustments to the angle of the embroidery design.

Press the key ③ to rotate the design 0.5 degrees clockwise.

Press the key ④ to rotate the design 0.5 degrees counterclockwise.

The angle value is displayed in the window ⑤.

NOTE:

- The angle of an embroidery design can be adjusted from -5.0 to 5.0 degrees.
- The angle of the embroidery design cannot be adjusted to exceed the sewing area.

Moving a design

You can make fine adjustments to the position of the embroidery design.

Press the or keys ⑥ to move the design 0.5 mm right or left (X window ⑧).

Press the or keys ⑦ to move the design 0.5 mm forward or backward (Y window ⑨).

The moving distance from the original position is shown as coordinates in the X ⑧ and Y ⑨ windows.

NOTE:

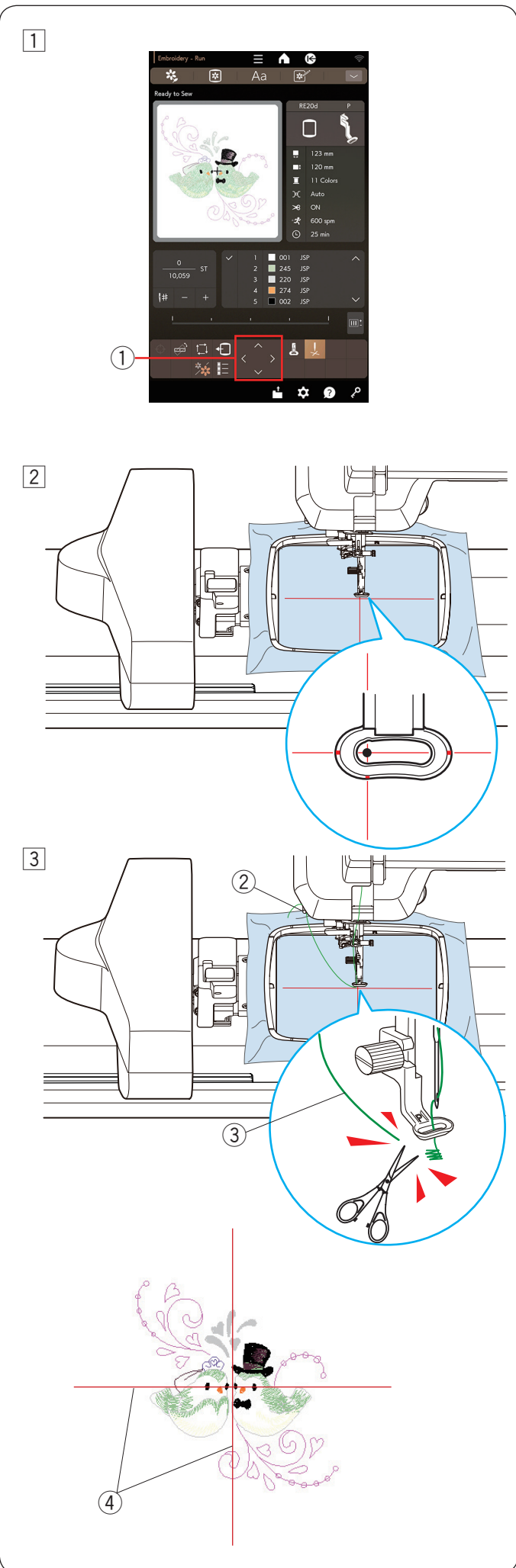
- The position of an embroidery design can be finely adjusted from -5.0 mm to 5.0 mm.
- The position of the embroidery design cannot be adjusted to exceed the sewing area.
- The moving distance from the original position is shown only in millimeters.

The red rectangle ⑩ appears when you make fine adjustments to the embroidery design, and it shows the difference between the original position and the adjusted position.

Press the OK key to apply the fine adjustment.

Press the X key to cancel the settings.

- ⑪ OK key
- ⑫ X key



Starting to Sew Embroidery

- 1 Select the desired pattern.
Press the OK key and a warning message will appear.
Press the OK key and the carriage moves to the starting position.
The screen changes to the Ready to Sew window.

- 2 Adjust the hoop position with the jog keys so that the needle position comes right above the center of the centerlines on the fabric.

① Jog key

NOTE:

You can use positioning marker embroidery foot PM to confirm the needle drop position without piercing the needle to the fabric (refer to pages 18-19).

- 3 Hook the needle thread to the thread cutter/holder, then press the start/stop button (refer to page 40).
Sew 5 to 6 stitches and press the start/stop button to stop the machine.

The presser foot will be raised automatically.

Cut the loose thread close to the beginning of the starting point.

- ② Thread holder
- ③ Loose thread hook to the thread holder

Press the start/stop button to start sewing again.

The machine will stop (and trim the threads if auto thread cutting is activated) automatically when the first color section is finished.

Change the thread to the next color and sew the next section.

Sewing results

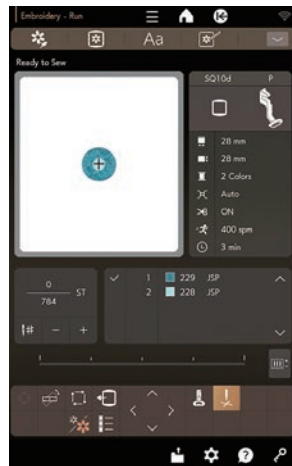
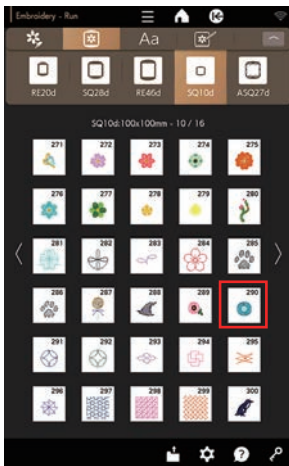
The embroidery pattern is sewn against the centerlines on the fabric as shown.

- ④ Centerlines on the fabric

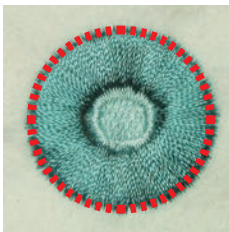
NOTE:

Refer to page 102 for how to set auto thread cutting.

1



2 3 4 5



Fringe Designs

Fringe designs are special patterns for creating fringed flowers, applique and fringe frames.

The embroidery design easily turns into an attractive fringed flower.

Example: Fringe designs SQ10d #290

1 Select fringe designs SQ10d #290.

2 Sew the pattern as you would sew a normal embroidery design.

3 Remove the fabric from the hoop.

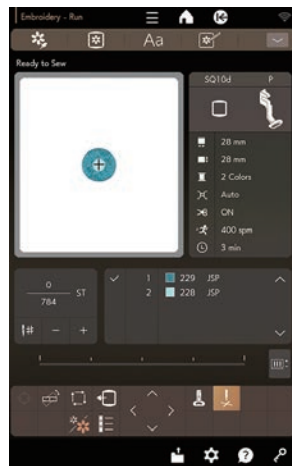
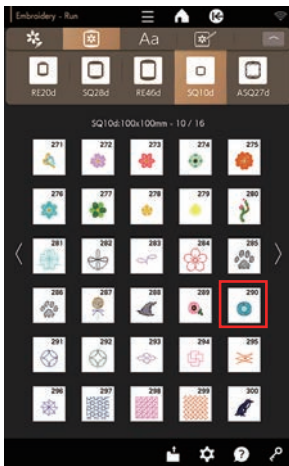
4 Cut the needle threads along the red broken line at the outer edge of the pattern as shown.

5 Ruffle the threads to make the fringe.

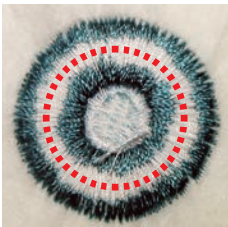
Alternative method for fringe designs

1 Select fringe designs SQ10d #290.

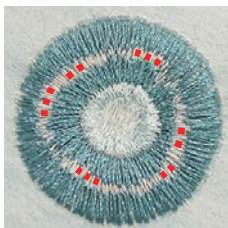
1



2 3 4 5



When the bobbin threads are too narrow



2 Sew the pattern as you would sew a normal embroidery design.

3 Remove the fabric from the hoop.

4 Cut the bobbin threads on the wrong side of the fabric along the red broken line as shown.

NOTE:

When the bobbin threads are too narrow to see and cut, choose the bobbin threads you can cut and remove them (shown as red dots).

5 Pull the needle threads up and bring the loop ends to the right side of the fabric to make the fringe.

Fringe designs RE20d #274



Fringe designs RE20d #275



Fringe designs SQ10d #289



Cutting lines

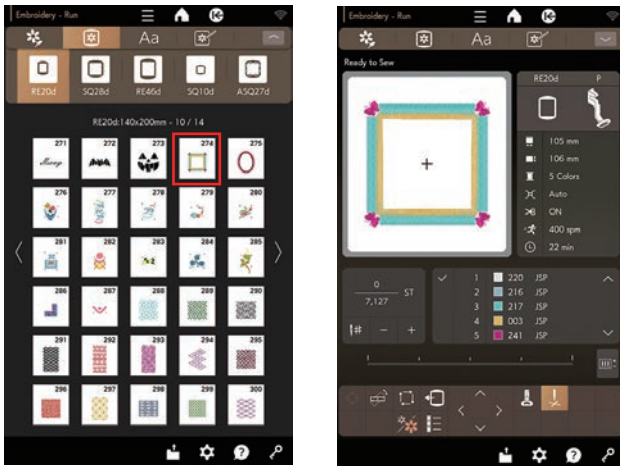
Cut the bobbin threads on the wrong side of the fabric along the broken line as shown.

Pull the needle threads up and bring the loop ends to the right side of the fabric to make the fringe.

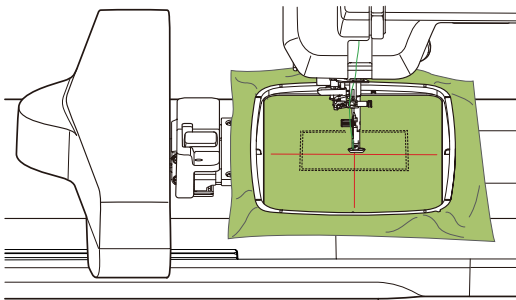
NOTE:

When the bobbin threads are too narrow to see and cut, choose the bobbin threads you can cut and remove them (shown as red dots).

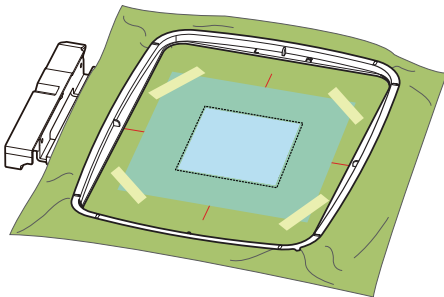
1



2



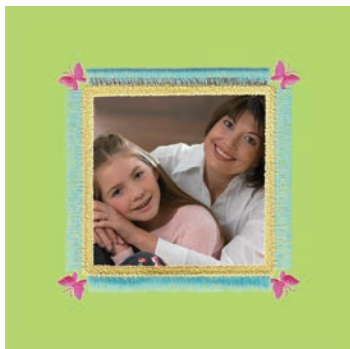
3



4



5



Frame Design

Fringe design RE20d #274 and RE20d #275 can also be used as frame designs.

Example: Creating a frame design with RE20d #274

Prepare the stabilizer.

1 Select fringe designs RE20d #274.

2 Set the background fabric to the hoop.
Sew the first section (color) only.

3 Remove the hoop from the machine, but do not unhoop the background fabric.
Cut away the inside of the marked area.
Place the stabilizer that is larger than the trimmed fabric. Hold the 4 corners of the stabilizer with tape as shown. Be careful the tape will not interfere with the embroidery design.

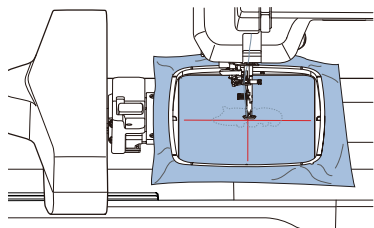
CAUTION:

Attach the tape where the machine will not stitch.
If the tape glue sticks to the needle or the hook race, it may cause breakage or malfunction.

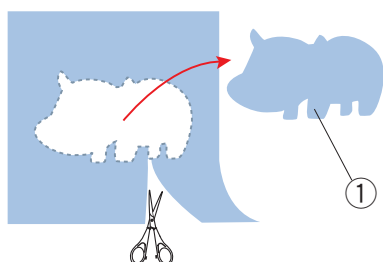
4 Attach the hoop to the machine again.
Sew the remaining sections (colors) of the fringe design.
Remove the background fabric from the hoop. Cut bobbin threads to make fringes (refer to page 58).
Remove the unnecessary parts of the stabilizer.

5 Prepare your favorite picture, etc.
Frame your favorite picture as shown.

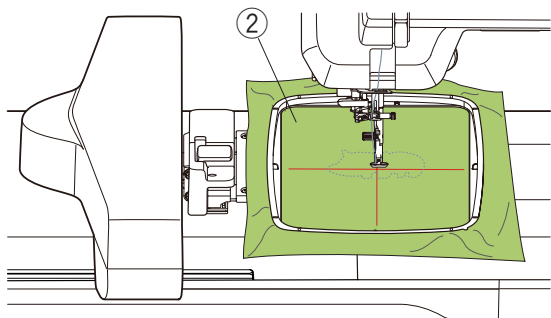
1 2



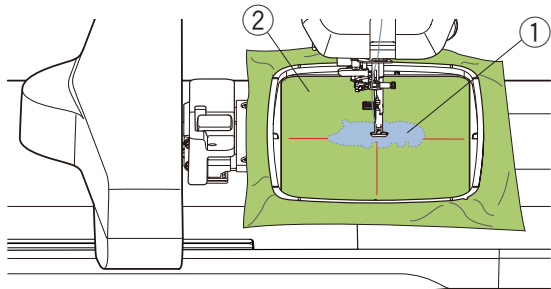
3



4



5



Applique Designs

Prepare background fabric and applique fabric.

Example: Design pattern RE20d #167.

- 1 Select design pattern RE20d #167.
- 2 Set the applique fabric to the embroidery hoop. Attach the hoop to the machine and sew the first color section.

- 3 After finishing sewing the first color section, remove the hoop from the machine. Unhoop the applique fabric and cut the applique fabric along the stitching line to make an applique piece.
 - 1 Applique fabric

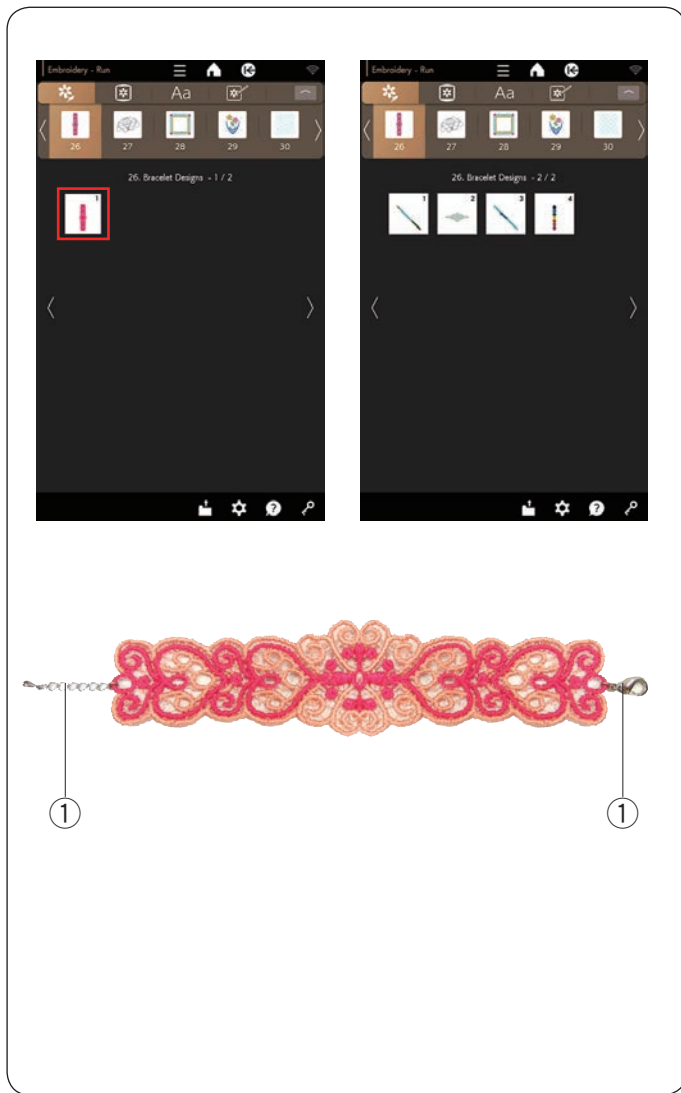
- 4 Set the background fabric to the hoop, attach the hoop to the machine, then sew the second color section to the background fabric.
 - 2 Background fabric

- 5 Attach the applique fabric on the second color section. Apply a thin layer of glue on the wrong side of the applique fabric and attach to the background fabric.
 - 1 Applique fabric
 - 2 Background fabric

CAUTION:

Do not apply glue on the seams.
If the glue sticks to the needle or the hook race, it may cause breakage or malfunction.

- 6 Start the machine to sew the third color section.



Bracelet Designs

You can make your own bracelet by sewing the bracelet designs on a water soluble stabilizer.

- Use the same thread for the bobbin as the needle thread.
- Use a fully wound bobbin.
- Set the bobbin thread remaining sensor to ON (refer to page 101).
- Set the maximum sewing speed to 600 spm or less (refer to page 10).

Set the water soluble stabilizer in the hoop. Be sure that the stabilizer is stretched tightly in the hoop. Select the desired bracelet design pattern and sew.

Remove the water soluble stabilizer from the hoop. Trim away the water soluble stabilizer surrounding the design pattern with scissors.

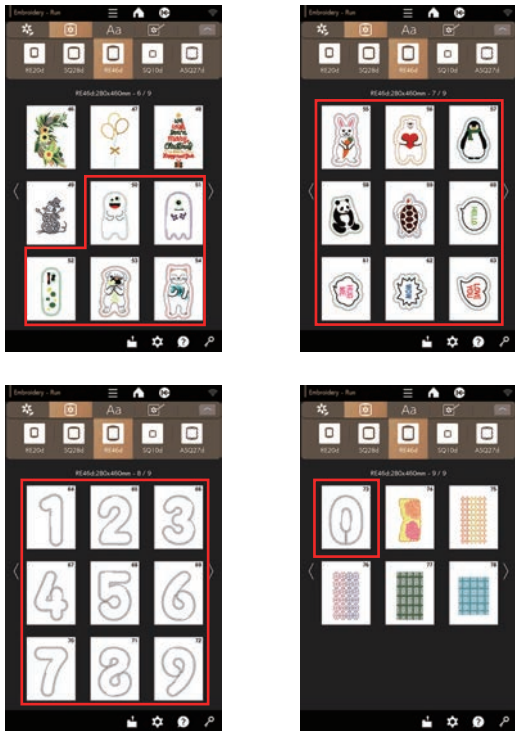
Remove the water soluble stabilizer by soaking the bracelet design in a bowl of warm water.

Attach the chain rings to the each end of the bracelet.

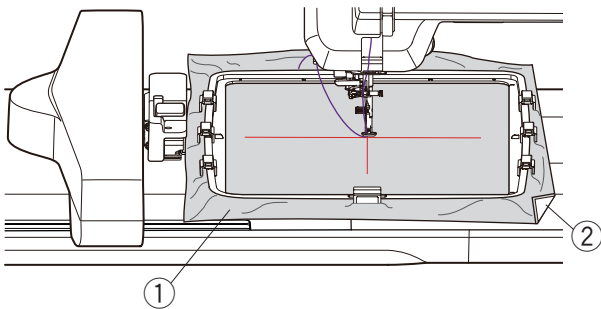
- ① Chain ring

NOTE:

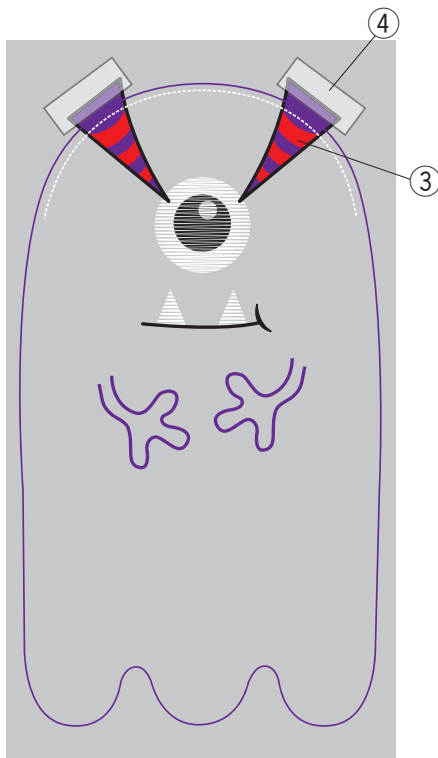
Chain rings are not included with the machine.



1



2 3



Stuffed Doll Designs

You can make your own stuffed doll with the In-The-Hoop Designs. Prepare the following materials.

- Fabric 1 (front side of the doll)
- Fabric 2 (rear side of the doll)
- Stabilizer (non-water-soluble)
- Wad cotton
- * You can attach parts like horns with RE46d #51 and RE46d #52. Prepare fabric of your desired design and material.

Select the desired pattern from RE46d #51 to RE46d #73.

Example: RE46d #51 + horns

- 1 Attach a stabilizer on the wrong side of the fabric 1 and set the fabric in embroidery hoop RE46d (refer to pages 36, 38-39).

Attach the embroidery hoop on the carriage (refer to page 40).

- 1 Fabric 1
- 2 Stabilizer

NOTE:

Do not remove the fabric from the embroidery hoop until the sewing project is finished.

- 2 Embroider the following parts: both arms, cut-off line, fangs, white of the eye, mouth, and eyeball. The presser foot rises automatically when the machine stops after the sewing of the eyeball is finished.

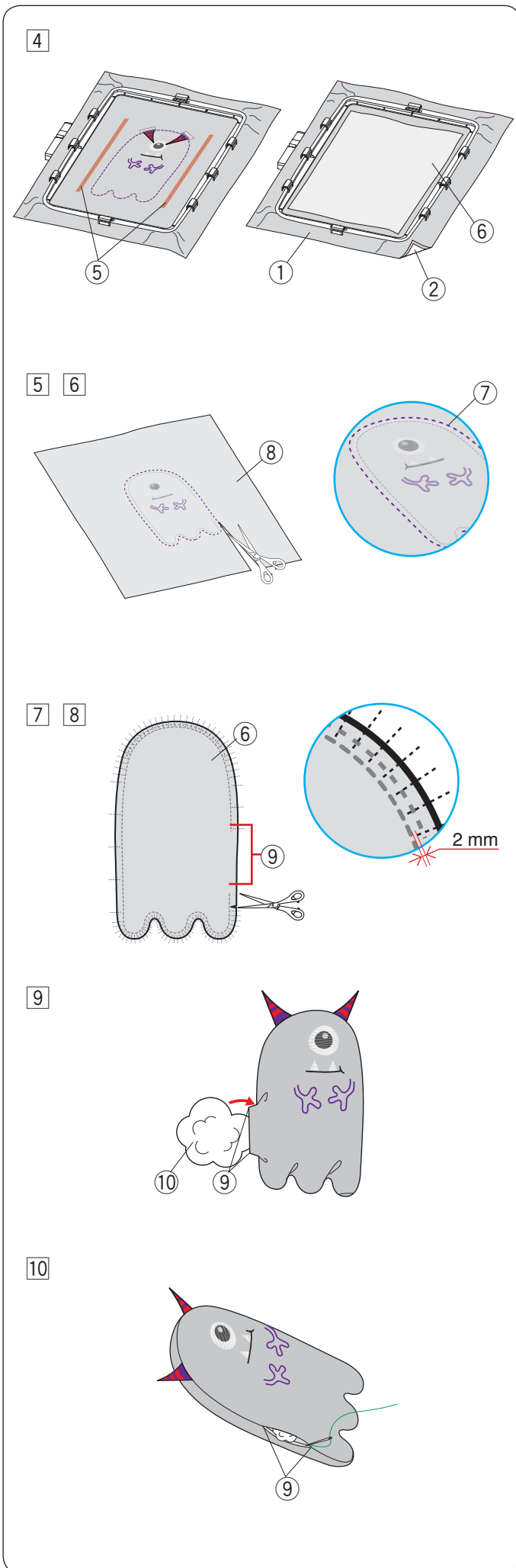
Place the horn shaped fabrics ③ (such as felt) as shown on the illustration and fix them with sticky tape or a pin.

- * Do not use too thick fabric for the horns. It may not be possible to embroider.

- ③ Horns (desired material and shape)
- ④ Sticky tape

- 3 Lower the presser foot and sew the horns.

* Although the message "Color Change" is displayed, you can continue sewing without changing the color of thread.



4 After sewing is finished, apply glue on both sides of the embroidery design as shown.
Place fabric 2 with the right side down on the fabric 1 and stick them together with glue.

- ① Fabric 1 (right side)
- ② Stabilizer
- ⑤ Apply glue
- ⑥ Fabric 2 (wrong side)

5 Embroider the rest of the design.
After sewing is finished, remove the fabrics from the embroidery hoop.

* Use the same (or similar) colors for the fabrics and threads, so that the threads will not stand out (or pop up) when turning the fabric inside out.

6 Remove the stabilizer from fabric 1.
Cut the fabrics along the cut-off line (outmost seams) with scissors.

* Warm up the stabilizer with an iron to remove the stabilizer move easily. Cover the stabilizer with a cloth when ironing to prevent sticking on the iron.

- ⑦ Cut-off line
- ⑧ Fabric 1 (wrong side)

7 Cut slits from the edge of the fabric to 2 mm in front of the seam in the curved area.

* Be careful not to cut the seam.

8 Turn the doll inside out from the opening.

- ⑥ Fabric 2 (wrong side)
- ⑨ Opening

9 Adjust the shape of the doll and stuff the doll with wad cotton from the opening.

- ⑨ Opening
- ⑩ Wad cotton

10 Stitch the opening by hand to close it.

- ⑨ Opening

NOTE:

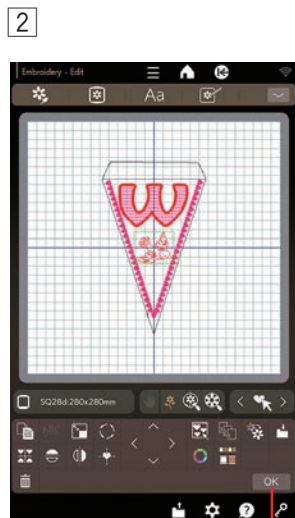
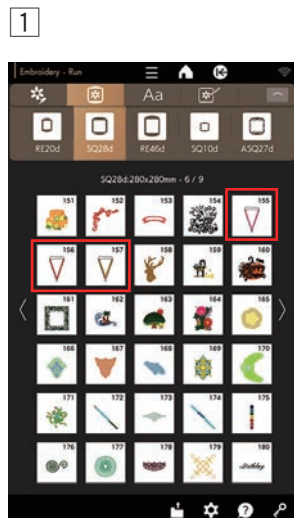
There are 2 openings on the In-The-Hoop Designs RE46d #65 to #69 and RE46d #71 to #73. The smaller opening is for stuffing with wad cotton. The bigger opening is for turning the design inside out and stuffing with wad cotton.

Flag Garlands

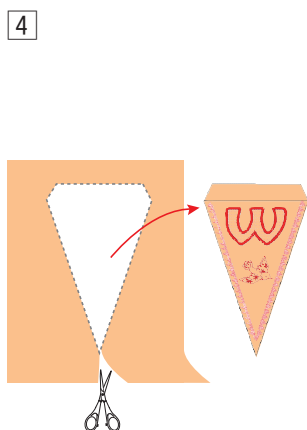
SQ28d #155 to SQ28d #157 are for flag garlands.

You can make your own flag garlands by embroidering patterns on the flags.

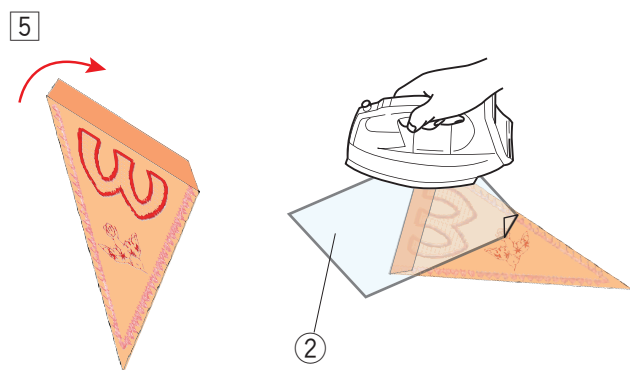
- 1 Select design pattern SQ28d #155.
- 2 Edit your pennant design in the editing mode.
Press the OK key.
 - ① OK key



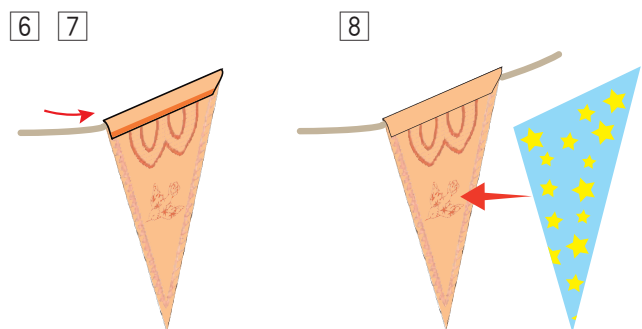
①



- 3 The Ready to Sew window will open.
Set the fabric in the hoop and attach the hoop to the carriage.
Press the start/stop button to sew.
- 4 Remove the hoop from the carriage when sewing is finished. Remove the fabric from the hoop.
Cut out the pennant design along the outer seam.



②

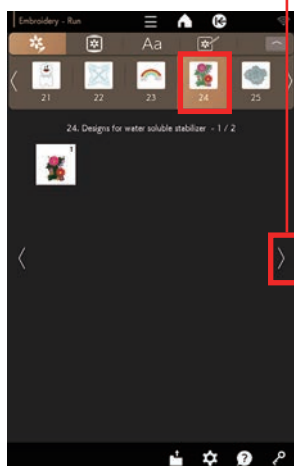


- 5 Fold back the top of the pennant to the wrong side of the fabric as shown.
Use press cloth and iron the folded edge.
 - ② Press cloth

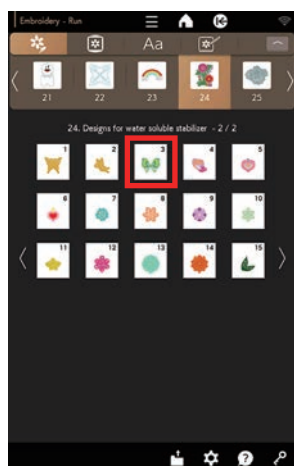


- 6 Sew the folded edge or paste the wrong side of the folded edge with double-sided tape or glue.
Be sure to leave space to pass the cord through.
- 7 Pass the cord through the hole as shown.
- 8 Cut the fabric to the same size as the pennant design.
Sew the fabric to cover the back of the pennant.
- 9 Repeat the procedure above and make your own flag garland.

1



1

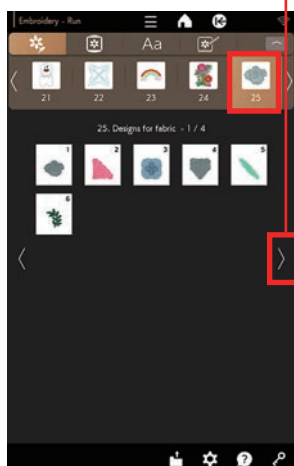


2

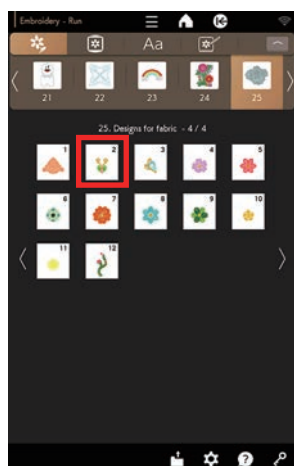


2

3



1



Embroidery Lace Designs

You can attach the lace pieces in the “24. Designs for water soluble stabilizer” category to a background fabric with the lace designs in the “25. Designs for fabric” category to achieve a three-dimensional appearance.

Lace designs in the “24. Designs for water soluble stabilizer” require water soluble stabilizer for embroidering.

Butterfly design

Example: Butterfly design (SQ10d #256)

- 1 Attach the water soluble stabilizer to the hoop.
Be sure that the stabilizer is stretched tightly in the hoop.
Select “24. Designs for water soluble stabilizer”.
Press the next page key. Select design #3 in the “24. Designs for water soluble stabilizer” page 2/2 and sew.
① Next page key

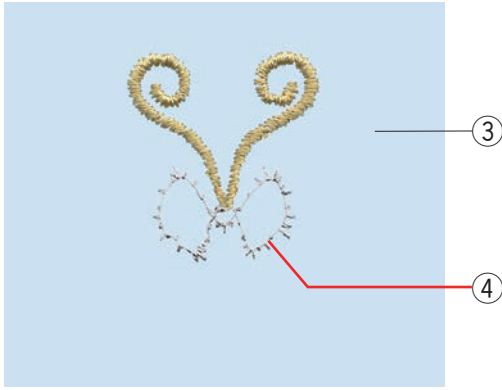
- 2 Remove the water soluble stabilizer from the hoop.
Trim away the water soluble stabilizer surrounding the design pattern with scissors.
Remove the water soluble stabilizer by soaking the butterfly wing design in a bowl of warm water.
Be sure that the lace piece to be attached is completely dried out after removing from water.
The butterfly wings part is completed.
② Butterfly wing design

NOTE:

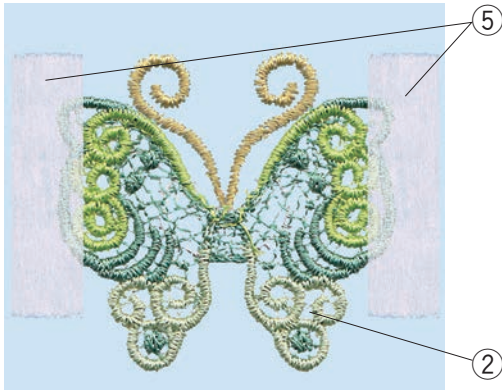
- Do not rub or scratch the Designs for water soluble stabilizer.
- Refer to page 37 for how to use a water soluble stabilizer.

- 3 Attach the background fabric to the carriage.
Select “25. Designs for fabric”. Press the next page key. Select design #2 in the “25. Designs for fabric” page 4/4 and sew the first and second sections (color).
① Next page key

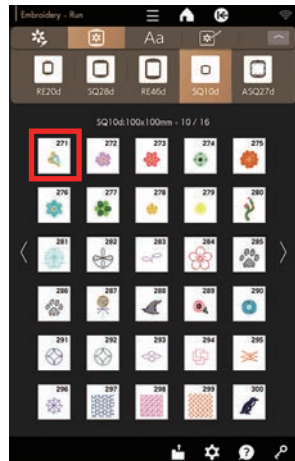
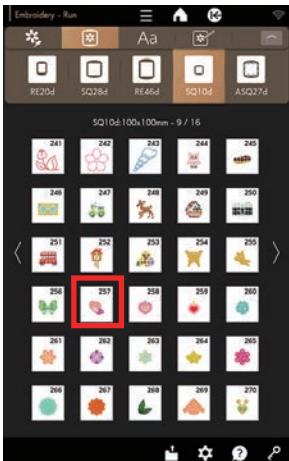
4



5



6



4 The second section is the placement guide for placing butterfly wings.

- ③ Background fabric
- ④ Placement guide (second section)




5 Place the butterfly wings piece which was created in step 2 above so that the butterfly wings are aligned with the placement guide.

Use tape to hold the design for your convenience.

- ② Butterfly wing
- ⑤ Tape

NOTE:

Press the  key in the Ready to Sew window.

Press one of the    keys to move the carriage to a standby position (refer to page 54).

6 Sew the third section (color) over the design.

The butterfly wings are attached to the background fabric.

Sew the rest of the section (color) and remove the tape to complete the design.

NOTE:

The other butterfly design also requires a combination of water soluble stabilizer design SQ10d #257 and the fabric design SQ10d #271. Place the butterfly wing piece on the placement guide and continue sewing.



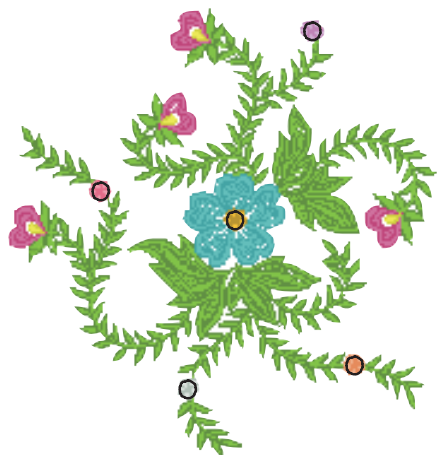
Placement guides for “Designs for fabric”

Each embroidery design in the “25. Designs for fabric” category contains a placement guide section for placing “24. Designs for water soluble stabilizer”.

After the placement guide is sewn, the machine will sew over the lace piece with the next section (color) to hold the piece.

The placement guides and their sewing orders are indicated below. Place the desired lace piece on the placement guide and hold it with tape. Sew over the lace piece with the next section to hold the piece.

SQ28d #171



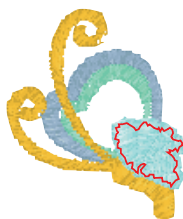
5th, 6th, 7th, 8th and 9th sections

SQ10d #270



2nd section

SQ10d #271



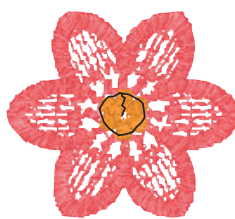
4th section

SQ10d #272



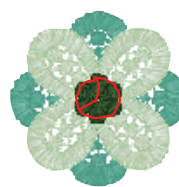
2nd section

SQ10d #273



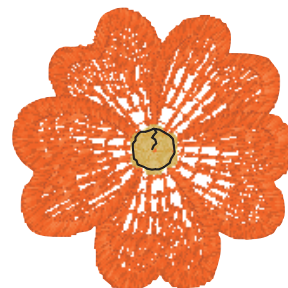
2nd section

SQ10d #274



3rd section

SQ10d #275



2nd section

SQ10d #276



2nd section

SQ10d #277



3rd section

SQ10d #278



1st section

SQ10d #279



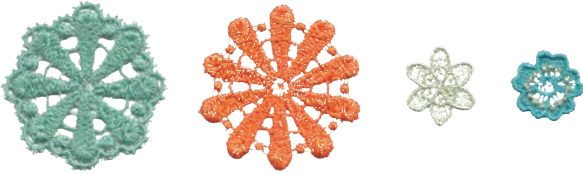
1st section

SQ10d #280

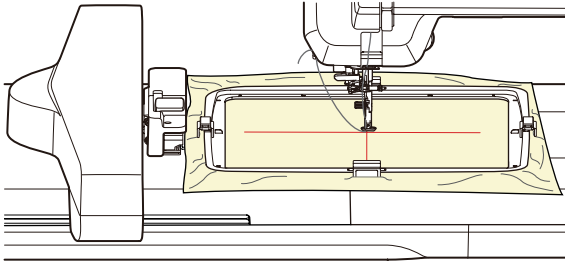


4th and 6th sections

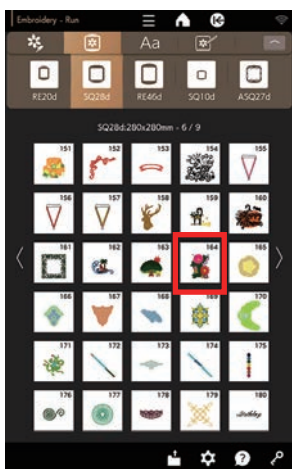
1



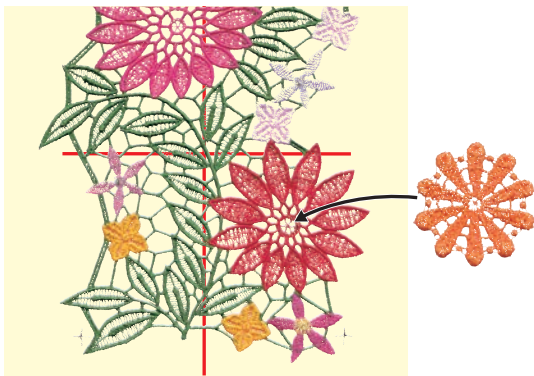
2



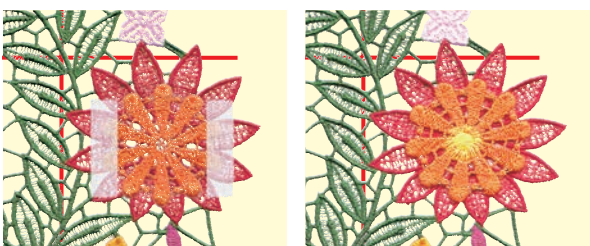
3



4



5



Lace design SQ28d #164 (Designs for water soluble stabilizer)

You can attach up to 4 flower designs to the large lace design (Designs for water soluble stabilizer) SQ28d #164.

1 Prepare the flower designs you want to attach before sewing lace design SQ28d #164.

Select the desired flower designs from the “Designs for water soluble stabilizer” category, and sew them to the water soluble stabilizer.

Remove the water soluble stabilizer by soaking the flower designs in a bowl of warm water.

Be sure that the lace piece to be attached is completely dried out after removing from water.

NOTE:

- Do not rub or scratch the Designs for water soluble stabilizer.
- Refer to page 37 for how to use a water soluble stabilizer.

2 Draw centerlines on the water soluble stabilizer with tailor’s chalk. Set the water soluble stabilizer in hoop SQ28d and attach the hoop to the carriage.

NOTE:

Do not use water soluble tailor’s chalk. The water soluble stabilizer will be washed away.

3 Select the SQ28d #164 design (Designs for water soluble stabilizer).

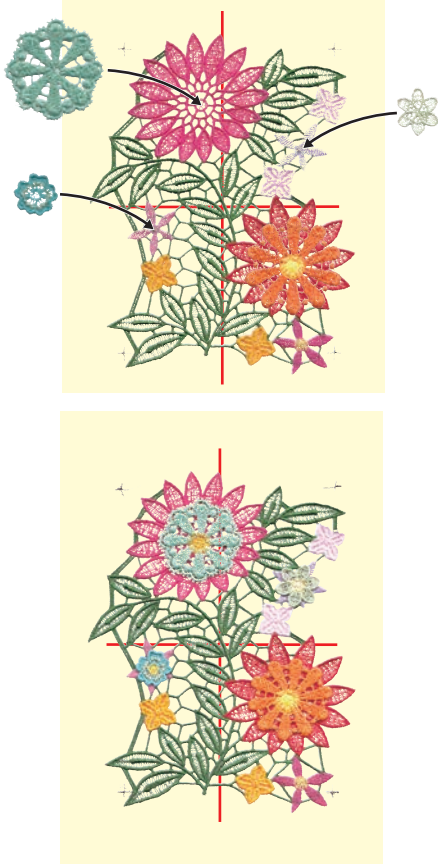
4 Sew until the 11th section (color). The 11th section is the placement guide for placing flower designs.

Place one of the flower design pieces which was created in step 1 above so that the flower design is aligned with the placement guide.

5 Use tape to hold the design for your convenience.

Sew the 12th section (color) over the design. The flower design is attached to the large lace SQ28d #164 design.

6



6 Sew the rest of the sections.

The 13th, 15th and 17th sections are the placement guides. Place the flower designs created in step 1 and sew over flower designs (same as done in step 5).

Remove the design from the hoop.

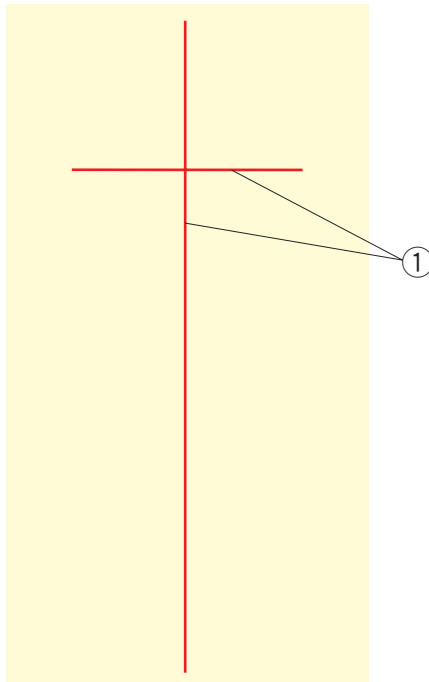
Remove the water soluble stabilizer by soaking the overall design in a bowl of warm water to complete the design.

Be sure that the lace piece to be attached is completely dried out after removing from water.

NOTE:

- Do not rub or scratch the Designs for water soluble stabilizer.
- Refer to page 37 for how to use a water soluble stabilizer.

1



Connecting lace design SQ28d #164 (Designs for water soluble stabilizer)

You can connect large lace design SQ28d #164 vertically or horizontally.

Example: Connecting Lace Design SQ28d #164 vertically

1 Draw centerlines on the water soluble stabilizer with tailor's chalk.

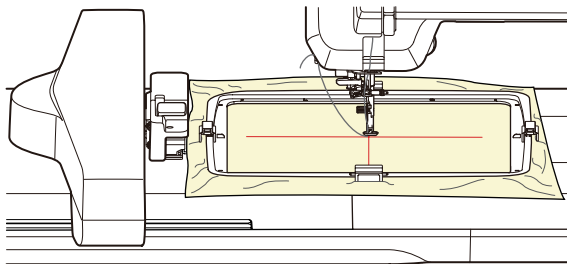
The water soluble stabilizer and vertical line should be long enough to connect following patterns.

1 Centerlines

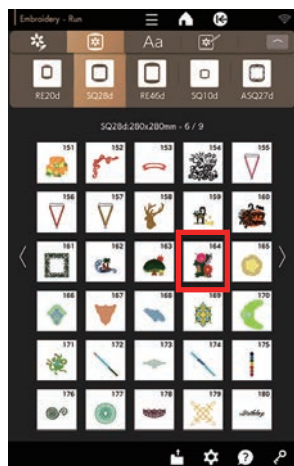
NOTE:

Do not use water soluble tailor's chalk. The water soluble stabilizer will be washed away.

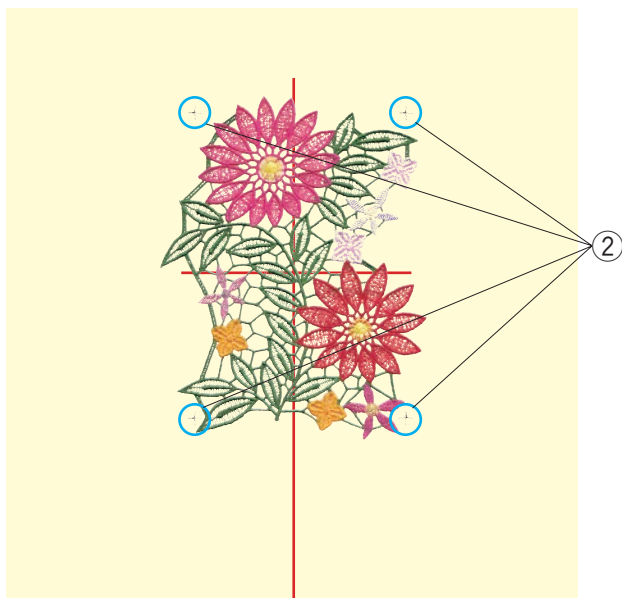
2



- 2 Set the water soluble stabilizer in the hoop SQ28d and attach the hoop to the carriage.
Select design SQ28d #164 (Designs for water soluble stabilizer).

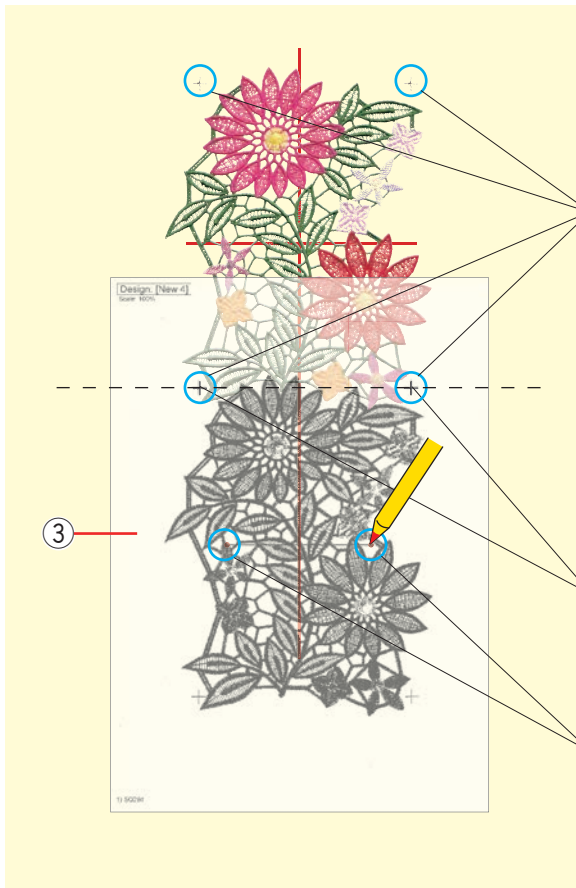


3



- 3 Press the start/stop button and sew.
Remove the hoop from the carriage and the stabilizer from the hoop.
The cross marks will be sewn on the 4-corners of the embroidery design.
② Cross marks

4



4 Print design (template sheet) on semi-opaque paper for Designs for water soluble stabilizer patterns SQ28d #164 by using Artistic Digitizer Jr. (refer to pages 92-93).

Place the design (template sheet) on the fabric.

Align the cross marks of the sewn pattern and design (template sheet).

Mark the points of the design (template sheet) so the points will be copied on the water soluble stabilizer.

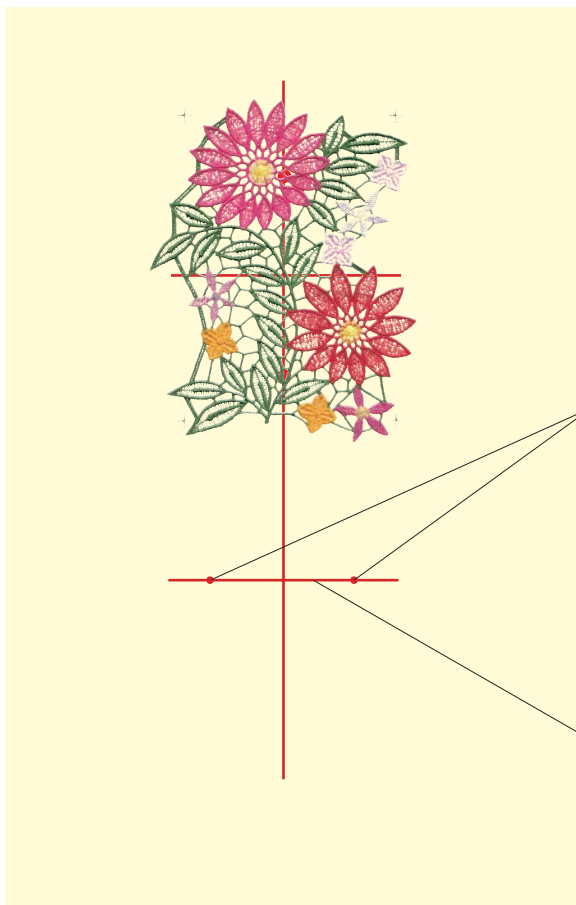
Remove the design (template sheet).

- ② Cross marks
- ③ Design (template sheet)
- ④ Cross marks of the design (template sheet)
- ⑤ Points

NOTE:

If semi-opaque paper is not available, print the design (template sheet) on plain paper and cut the cross marks of the design (template sheet) along the broken line in the illustration.

5

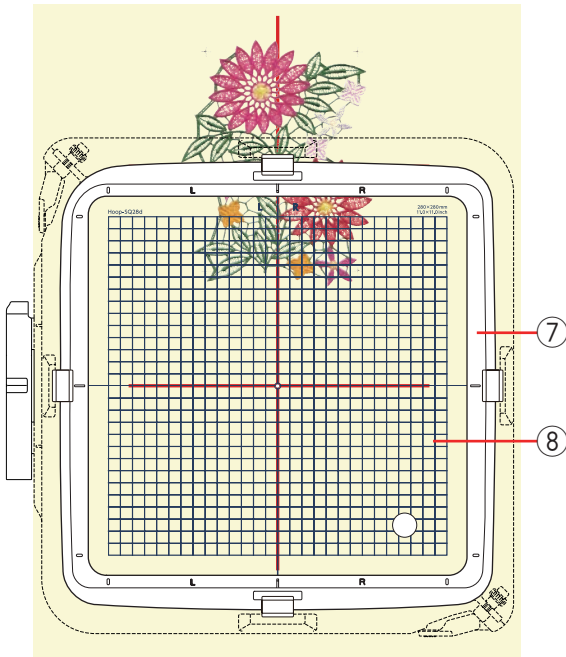


5 Connect the copied points from step 4 with one horizontal line.

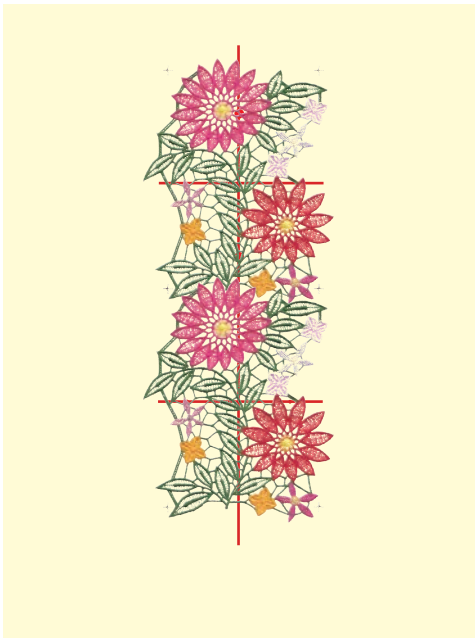
These will be the centerlines for the second patterns.

- ⑤ Points
- ⑥ Horizontal centerline

6



7



- 6 Set the stabilizer in the hoop and adjust the fabric position to match the centerlines for the second pattern and template.
Attach the hoop to the carriage and press the start/stop button.
The cross marks will be sewn for the first pattern.
Adjust the hoop position with the jog keys or fine position/angle adjustment key if necessary (refer to pages 50 and 55).

Press the start/stop button to sew the rest of the patterns.

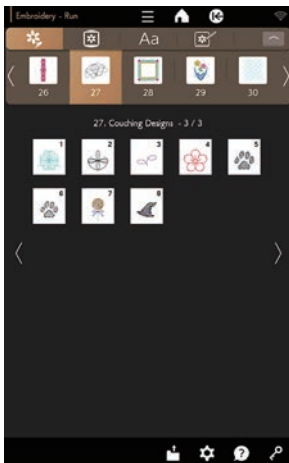
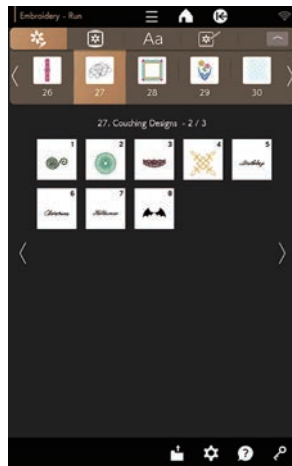
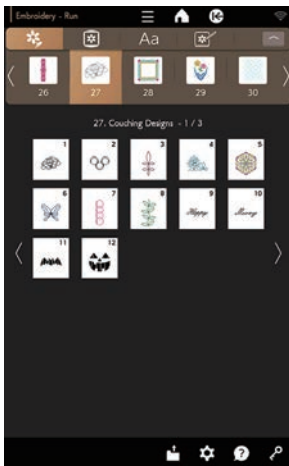
- 7 Hoop
- 8 Template

- 7 Remove the stabilizer from the hoop.
Trim away the water soluble stabilizer surrounding the design pattern with scissors.
Remove the water soluble stabilizer by soaking the design in a bowl of warm water to complete the design.

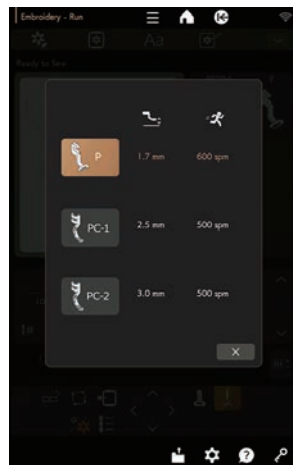
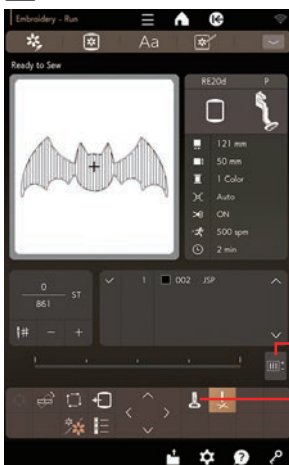
NOTE:

- Do not rub or scratch the Designs for water soluble stabilizer.
- Refer to page 37 for how to use a water soluble stabilizer.

1



2



Couching Designs

Enjoy embellishing your work with yarns.

Use couching foot PC-1 or PC-2 for the couching designs.

- For weight 3 yarn (light), use couching foot PC-1.
- For weight 4 yarn (medium) use couching foot PC-2.

NOTE:

- Use weight 3 yarn (light) or weight 4 yarn (medium) for the couching design project.
- Do not sew on hard string.
- Test sew to check the sewing results.
- Do not use the single color sewing key for the couching designs.
- Use the same color thread for the bobbin and the needle thread as the yarns for best results.

① Select one of the couching designs.

② In the Ready to Sew window, press the embroidery foot key.

Select couching foot PC-1 for weight 3 yarn (light).

Select couching foot PC-2 for weight 4 yarn (medium).

The presser foot height and sewing speed will be automatically adjusted to suit the selected couching design sewing.

If the yarn layers become too thick, press the adjust key and adjust the presser foot manually (refer to page 53).

① Embroidery foot key

② Adjust key

NOTE:

- Be sure to select the proper embroidery foot when sewing couching designs.
- The sewing speed will be automatically adjusted to 500spm even if the maximum sewing speed is set to more than 500 spm for safety reasons. You can change the sewing speed from 400 spm to 500 spm.
- Adjust the sewing speed to slow speed for better sewing results.



CAUTION:

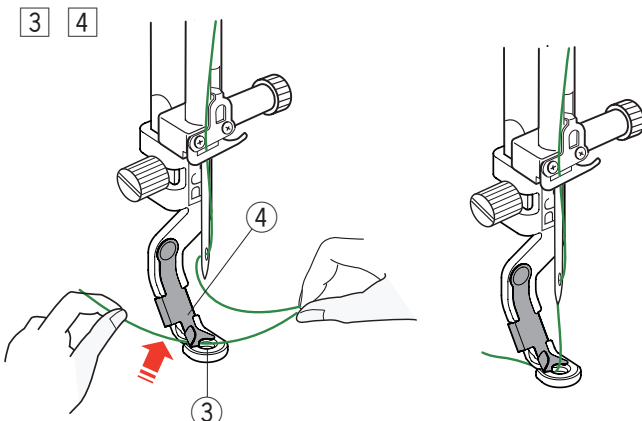
Press the lockout key to lock the machine when attaching/removing the presser foot, yarn guide, and threading the threads and yarns to the machine.

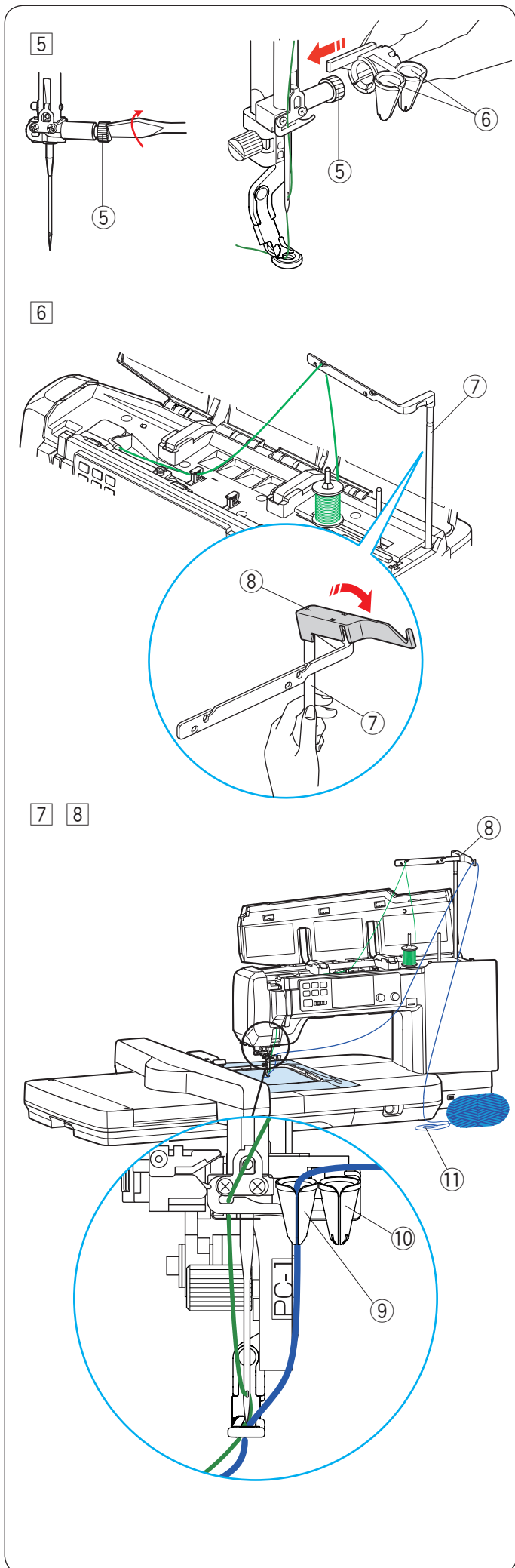
③ Attach the selected couching foot to the machine.
To attach the couching foot, refer to page 17.

④ Turn the handwheel toward you. Be sure that the needle passes through the center of the couching foot.
Hold the thread with both hands. Slide the thread under the plate, and slip it into the presser foot hole.

③ Presser foot hole

④ Plate





- 5 Retighten the needle clamp screw firmly with the screwdriver.
Slide the yarn guide onto the needle clamp screw firmly with the mouths of the yarn guides up as shown.
- 5 Needle clamp screw
 - 6 Mouths of the yarn guides

CAUTION:

Be careful not to turn the needle clamp screw when sliding the yarn guide onto the needle clamp screw.

- 6 Attach the sub thread guide stick on the thread guide bar as shown. Support the thread guide bar with your hand when attaching.
- 7 Thread guide bar
 - 8 Sub thread guide stick

- 7 Pass the yarn through the sub thread guide stick.
- 8 Sub thread guide stick

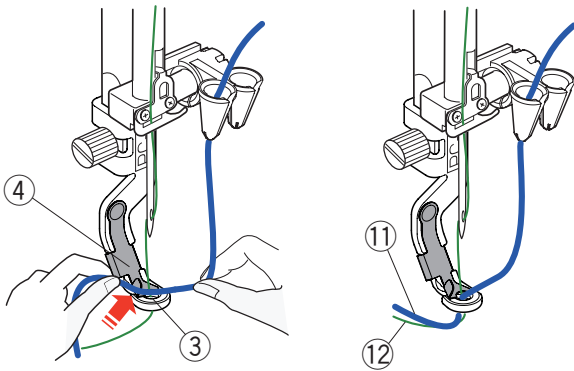
- 8 Thread the yarn by passing it through the slit on the mouth.
Thread the yarn through the left mouth for coupling foot PC-1.
Thread the yarn through the right mouth for coupling foot PC-2.
- 9 Mouth for coupling foot PC-1
 - 10 Mouth for coupling foot PC-2

NOTE:

Unwind the ball of yarn and splay out the yarn on a sewing table to ensure smooth feeding without tangling.

- 11 Yarn

9

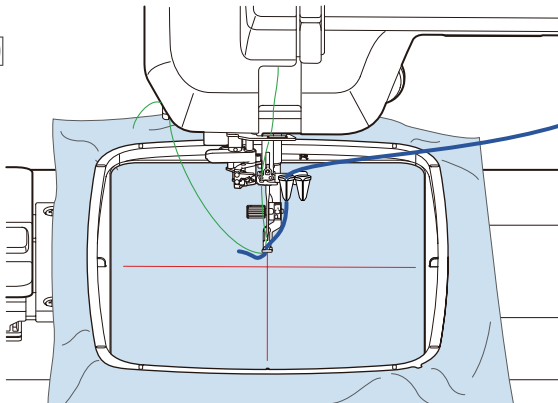


- 9 Hold the yarn with both hands.
Slide the yarn under the plate, and slip it into the presser foot hole.
Draw the yarn and needle thread to the rear.
- ③ Presser foot hole
 - ④ Plate
 - ⑪ Yarn
 - ⑫ Needle thread

⚠ CAUTION:

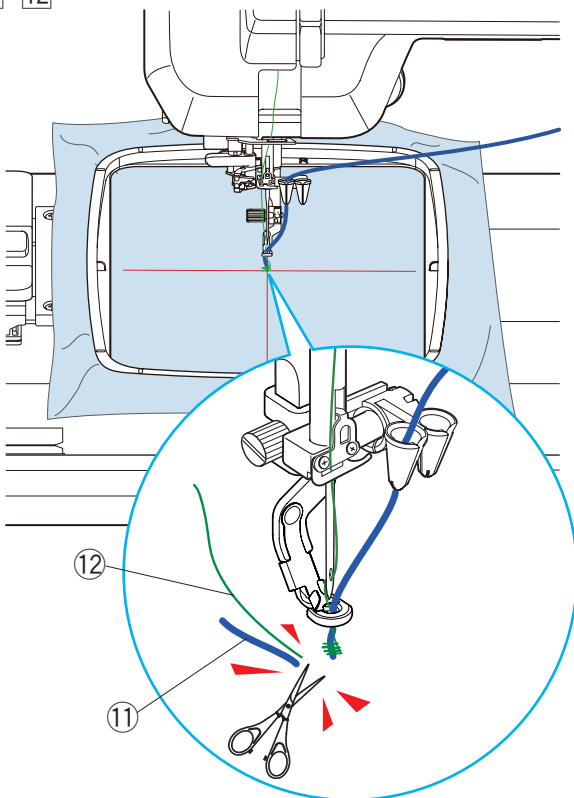
Knots may appear at some points of a ball of yarn. Be careful not to feed the knot of yarn into the mouth of the yarn guide while sewing.

10



- 10 Set the fabric to the hoop.
Attach the hoop to the carriage.
Test sew to check sewing results before the actual sewing.

11 12



- 11 Press the start/stop button and sew 5 to 6 stitches.
Press the start/stop button again to stop the machine.
- 12 Cut the loose yarn and needle thread near to the starting point.
Press the start/stop button to start sewing again.
The machine will stop (and trim the threads if the auto thread cutting is activated) automatically when the first color section is finished.
- ⑪ Yarn
 - ⑫ Needle thread
- 13 Change the thread to the next color and yarn.
Sew the next section.

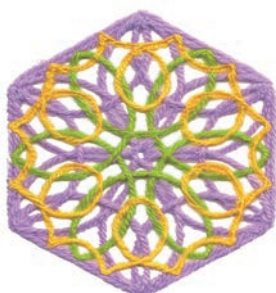
NOTE:

- Remove the couching foot when the couching design is finished. The needle may strike the couching foot when switching to ordinary sewing mode.
- Select embroidery foot P in the embroidery select window when you replace the presser foot with embroidery foot P (refer to page 54).
- When you combine couching designs, it is necessary to stop the machine and trim the excess yarn after the yarn jumps to the next couching design.

1



2



Couching design with water soluble stabilizer

You can sew on the water soluble stabilizer when selecting design pattern RE20d #266 or SQ28d #177.

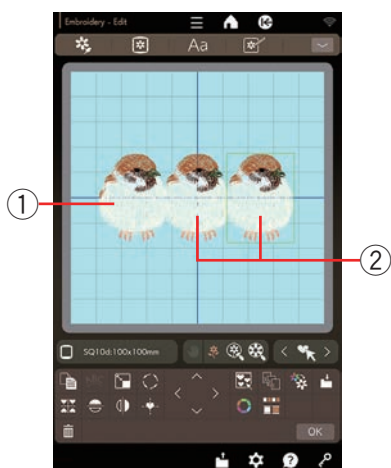
- 1 Attach the water soluble stabilizer to the hoop and set the hoop to the carriage.
Select design pattern RE20d #266.

- 2 Sew the design on the water soluble stabilizer. Refer to pages 73-75 for how to sew.
Remove the stabilizer from the hoop.
Cut off the excess of the water soluble stabilizer surrounding the design pattern with scissors. Remove the stabilizer by soaking the design in a bowl of warm water.
Be sure that the lace piece to be attached is completely dried out after removing from water.

NOTE:

- Do not rub or scratch the Designs for water soluble stabilizer.
- Refer to page 37 for how to use a water soluble stabilizer.

1

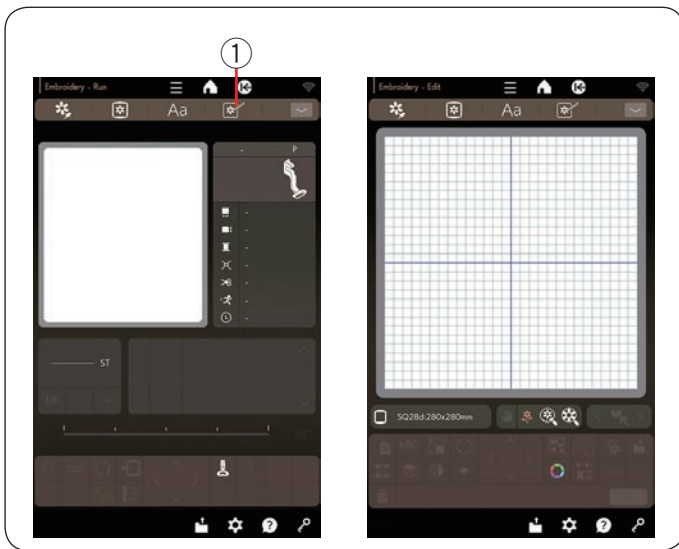


Sewing Embroidery Design Patterns SQ10d#113 and SQ10d#114

The left side of design pattern SQ10d #114 is designed to fit design pattern SQ10d #113.

You can connect design patterns SQ10d #113 and SQ10d #114 as if sparrows are huddled together.

- 1 Place design pattern SQ10d #114 to the right side of SQ10d #113.
You can add extra sparrows (design pattern SQ10d #114) by placing design pattern SQ10d #114 to the right side of the sparrow.
- * Change the sewing order to start from the rightmost sparrow for better sewing results (refer to page 84).
- ① Design pattern SQ10d #113
 - ② Design pattern SQ10d #114

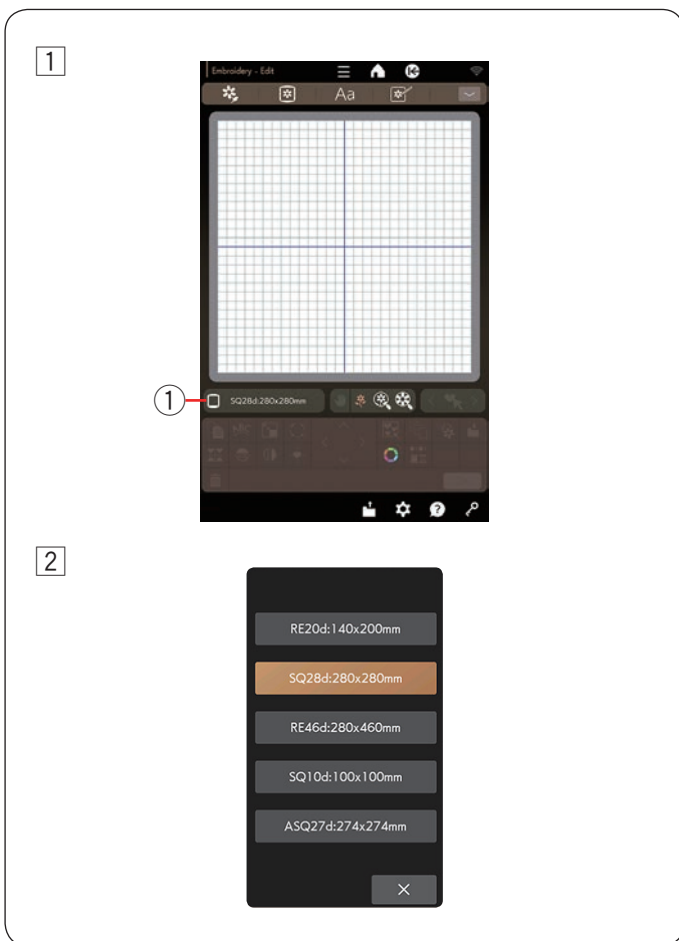


Editing Mode

In the editing mode, you can edit and combine patterns to create original embroidery designs.

Press the editing mode key and the editing window and hoop SQ28d will open.

- ① Editing mode key



Selecting a hoop size

You can select other hoop sizes.

- ① Press the hoop selection key and the hoop selection window will open.

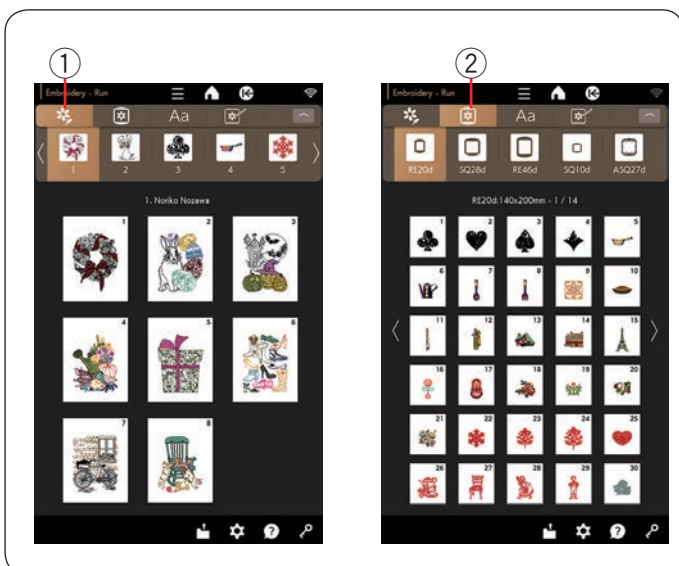
- ① Hoop selection key

- ② Select the desired hoop.

The screen will return to the editing window.

NOTE:

In the editing mode, you cannot select patterns larger than the size of the selected hoop.



Opening the embroidery designs

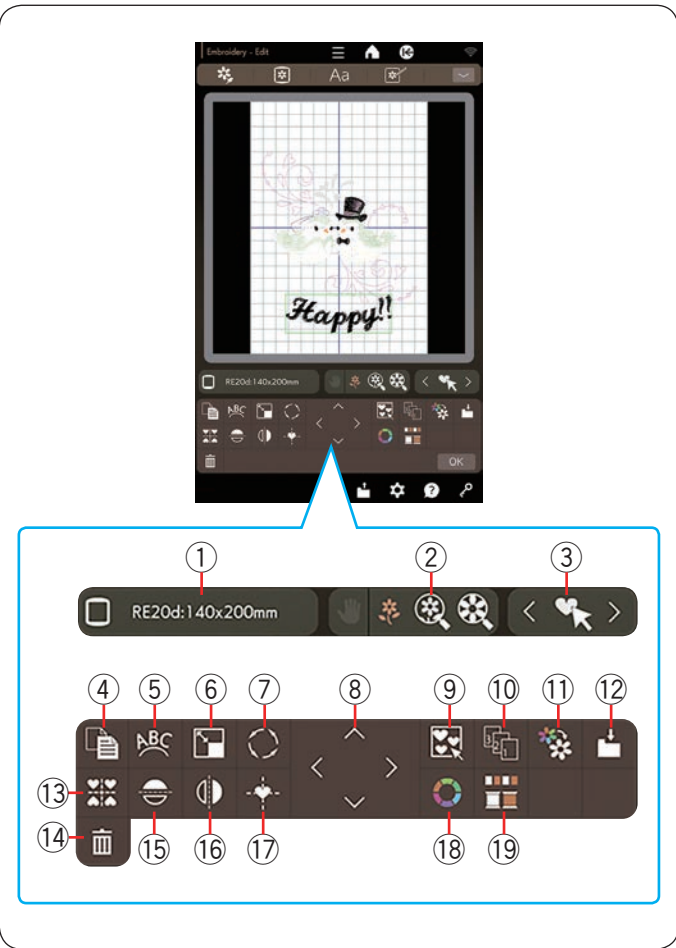
In the editing window, you can open the built-in designs, monogram, and designs in a USB flash drive.

Press the design category key to browse the design list by design category, or press the design selection key to browse the designs by hoop size.

Select the desired pattern from the design list (refer to pages 41-43).

- ① Design category key

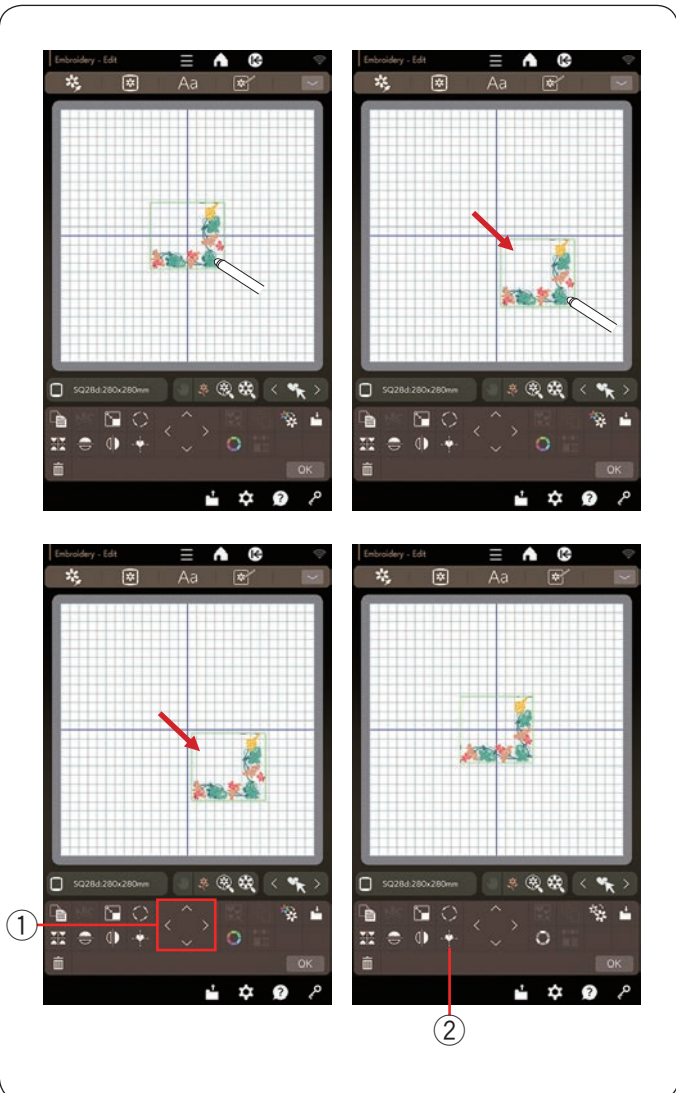
- ② Design selection key



Editing window information

The editing window contains the following keys.

- ① Hoop selection key
- ② View size key
- ③ Pattern selection keys
- ④ Duplicate key
- ⑤ Arc key
- ⑥ Resize key
- ⑦ Rotate key
- ⑧ Layout key
- ⑨ Group key
- ⑩ Sewing order key
- ⑪ Single color sewing key
- ⑫ Save file key
- ⑬ Corner layout key
- ⑭ Delete key
- ⑮ Horizontal mirror image key
- ⑯ Vertical mirror image key
- ⑰ Center position key
- ⑱ Custom color key
- ⑲ Color group key



Selecting a pattern

To select the pattern to edit, press on the pattern image in the editing window.

A green frame appears around the selected pattern.

Moving a pattern

To move the embroidery pattern in the editing window, press and drag the pattern to a desired location with the touch panel stylus or your fingertip.

NOTE:

Do not drag the pattern on the screen with a sharp pointed object.

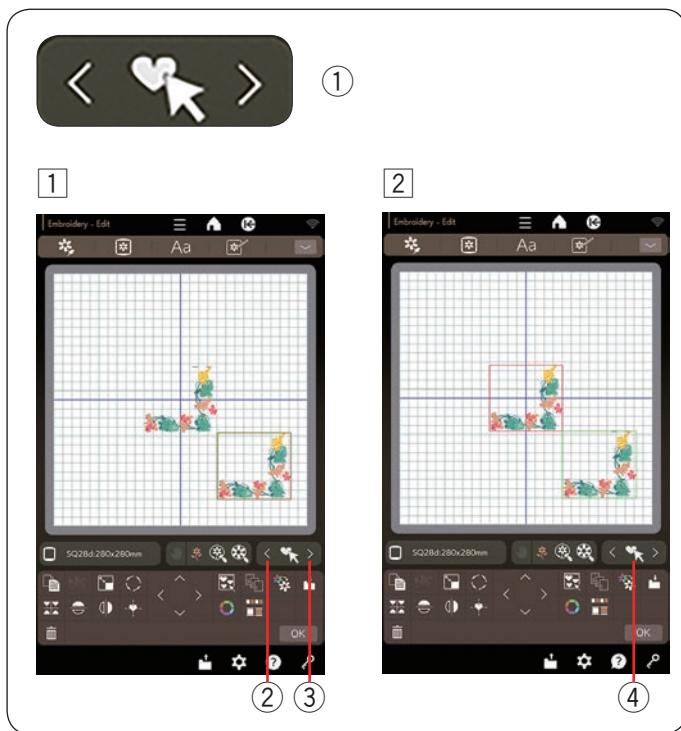
You can also move the selected pattern by pressing the layout keys.

Press the layout keys to move the pattern to the desired position in the editing window.

Press the center position key to move the pattern to the center of the editing window.

- ① Layout keys
- ② Center position key

The carriage will not move when you press the layout keys since the pattern position will move relative to the hoop, not to the machine.



Selecting a pattern with pattern selection keys


When multiple patterns are closely positioned, it can be hard to select the desired pattern.

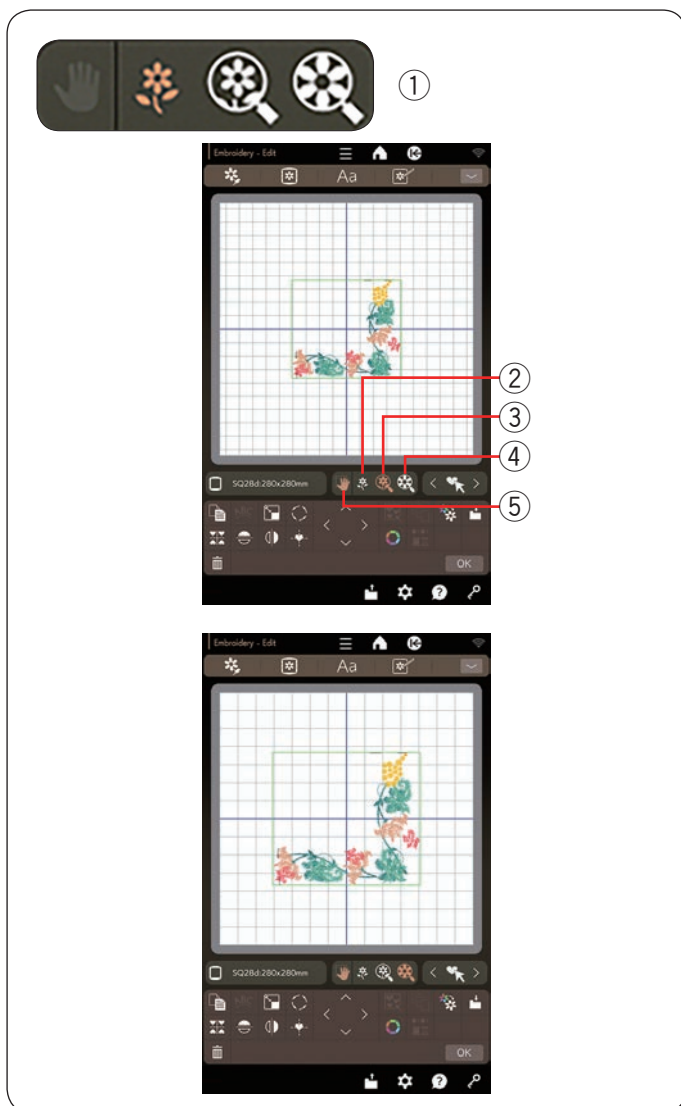
Pattern selection keys appear when multiple patterns are shown in the editing window for easier pattern selection.

① Pattern selection keys

1 Press the < ② key or > ③ key and a red frame appears.

2 Press the < ② or > ③ key until the red frame surrounds the pattern you want to select.

Press the  key ④ to select the desired pattern.



Zooming in the editing window

Select the view size from normal, large or largest by pressing one of the view size keys.

① View size keys

② Normal view size key

③ Large view size key

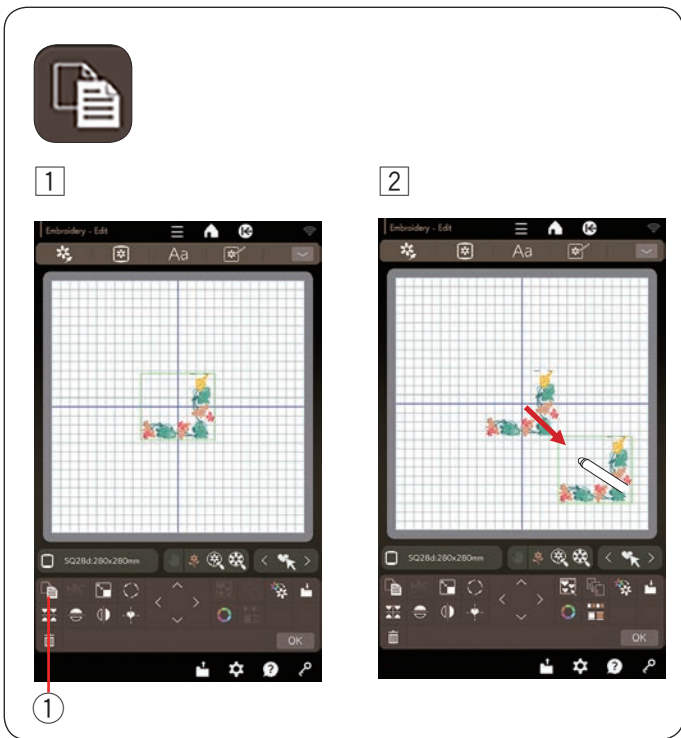
④ Largest view size key

The scroll function is activated automatically when zoomed in.

To scroll the magnified window, drag the window in the desired direction.

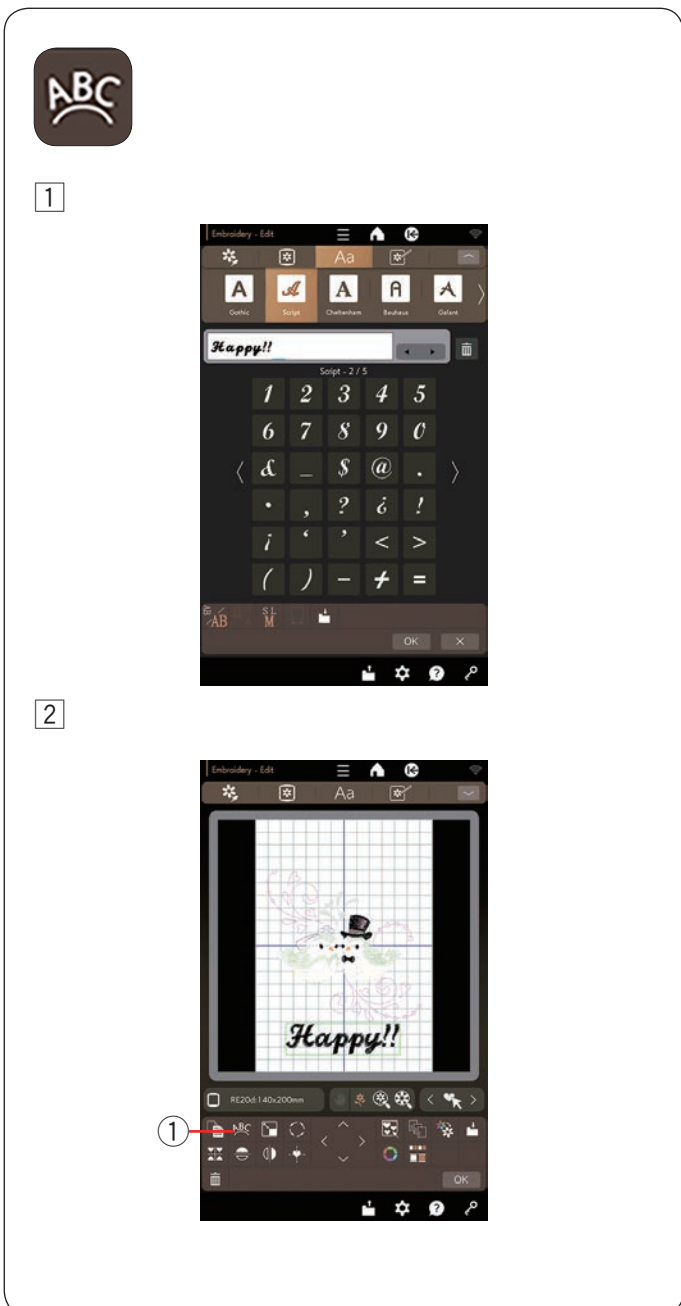
Press the scroll key to cancel the scroll command.

⑤ Scroll key



Duplicating a pattern

- 1 Press the duplicate key to make a copy of the selected pattern.
 - ① Duplicate key
- 2 The duplicated pattern will be superimposed over the original pattern. Move the duplicate to show the original pattern.

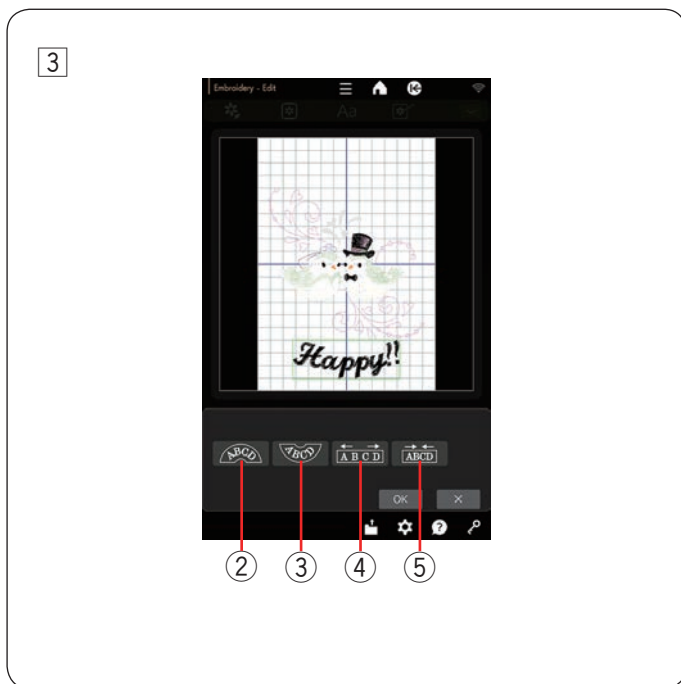


Monogramming in an arc

In the editing mode, you can make a monogram in an upper or lower arc.

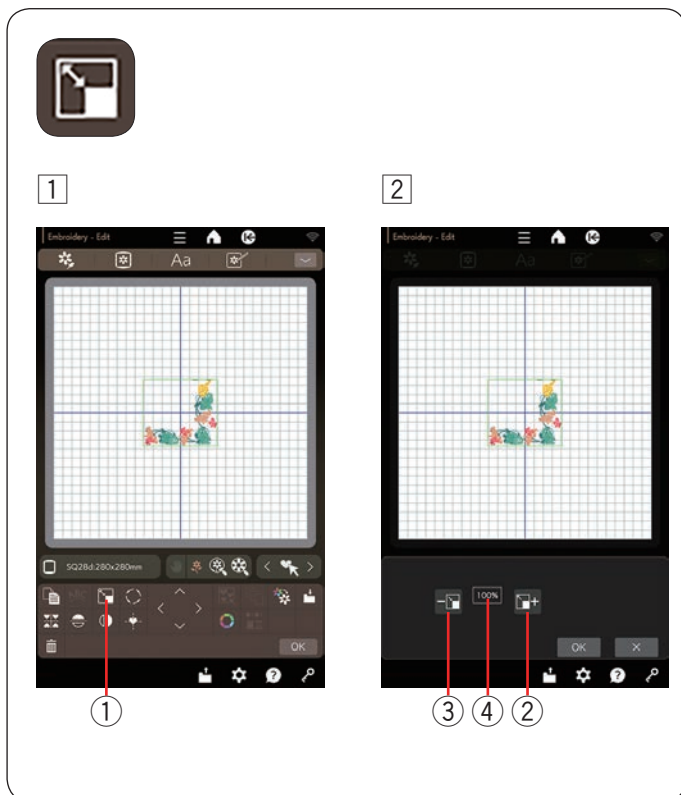
- 1 Enter the characters and press the OK key.

- 2 The entered characters are displayed in the editing window.
Press the arc key and the arc layout window will open.
 - ① Arc key



3 Press the upper arc key to make an upper arc.
 Press the lower arc key to make a lower arc.
 Press the enlarge key to make the arc longer.
 Press the shorten key to make the arc shorter.
 Press the OK key to confirm.

- ② Upper arc key
- ③ Lower arc key
- ④ Enlarge key
- ⑤ Shorten key



Resizing a pattern

1 Press the resize key to open the resize option window.

- ① Resize key

2 You can change the embroidery pattern size from 80% to 120% of the original size.

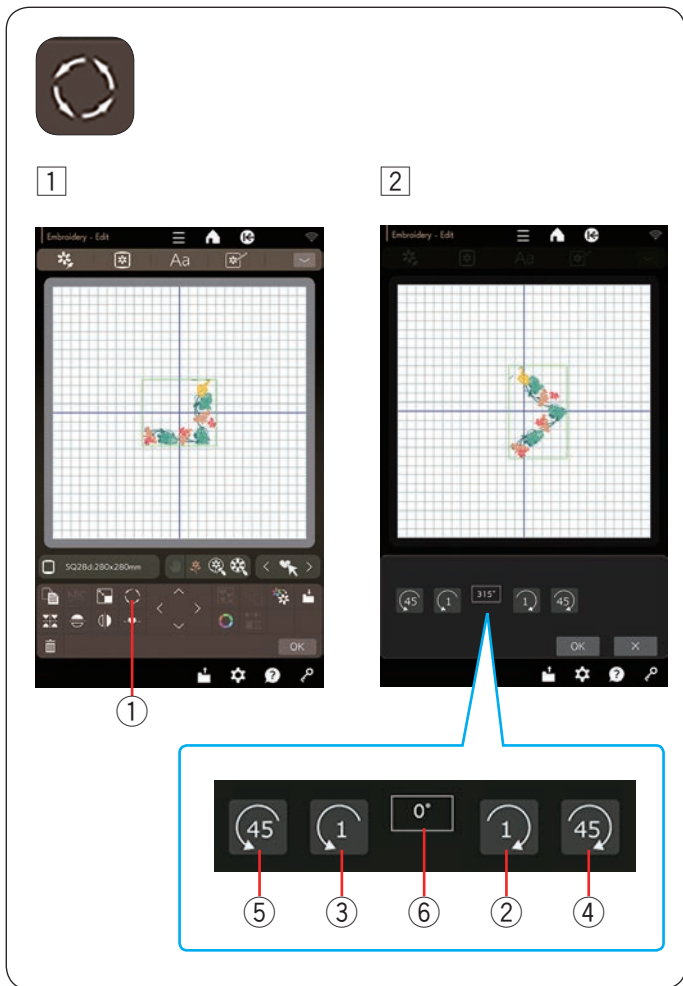
Press the “+” key to enlarge the pattern size.
 Press the “-” key to reduce the pattern size.

The size will change 1% each time you press the “+” or “-” key. To change the size quickly, press and hold the “+” or “-” key.

The scale of a resized pattern is displayed as a percentage.

Press the OK key to confirm the new size.

- ② + key
- ③ - key
- ④ Pattern size



Rotating a pattern

- 1 Press the rotate key to open the rotation option window.
 - 1 Rotate key
- 2 Press the **1** key **2** to rotate the selected pattern 1 degree clockwise.

Press the **1** key **3** to rotate the selected pattern 1 degree counterclockwise.

Press the **45** key **4** to rotate the selected pattern 45 degrees clockwise.

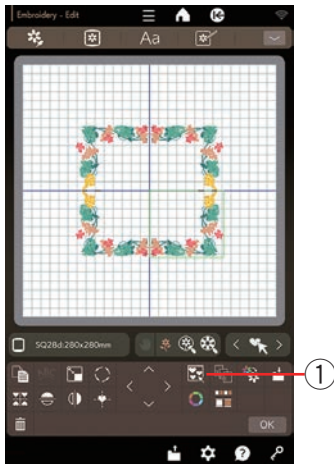
Press the **45** key **5** to rotate the selected pattern 45 degrees counterclockwise.

The angle of a rotated pattern is displayed in the window **6**.

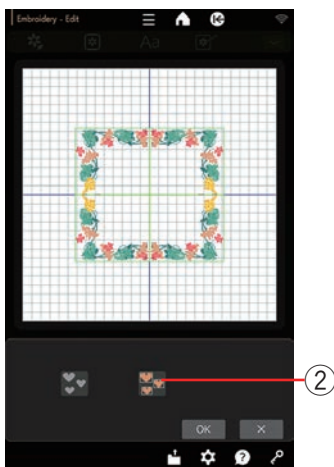
Press the OK key to confirm.



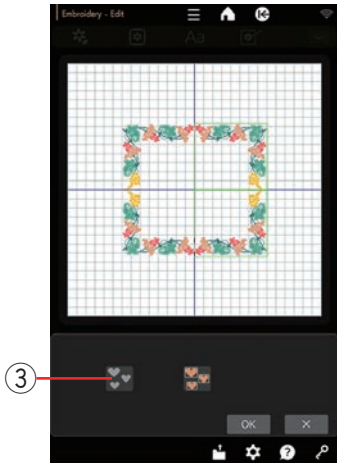
1



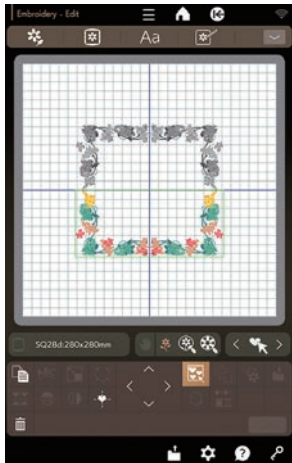
2



3



4



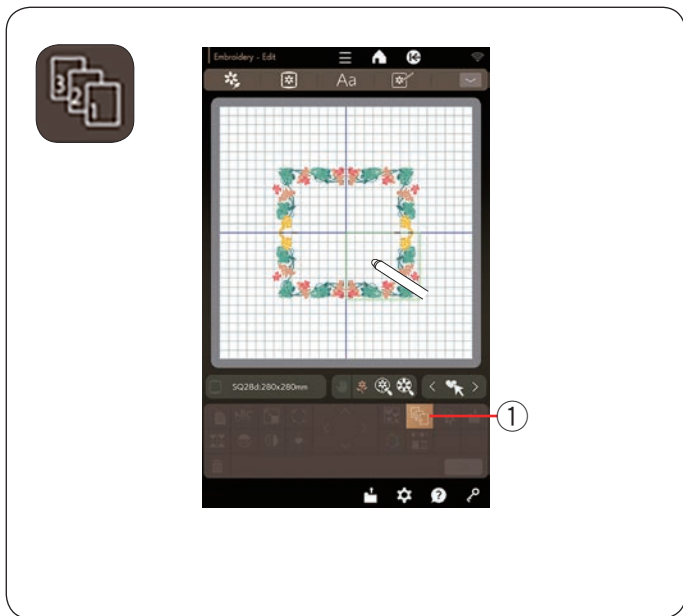
Grouping patterns

- 1 You can group patterns together.
Press the group key and the grouping option window will open.
 - ① Group key

- 2 Press the group all key and press the OK key to group all the patterns in the editing window.
 - ② Group all key

- 3 If you wish to group the selected patterns only, press the group select key.
Select the desired patterns by pressing on the pattern images.
Press the selected pattern again to unselect the pattern.
Press the OK key to group the selected patterns.
 - ③ Group select key

- 4 The grouped patterns can be moved and duplicated as a unit.
When grouping the selected patterns only, the rest of the patterns are grayed out and cannot be selected.
To ungroup the patterns, press the group key again.



Sewing order

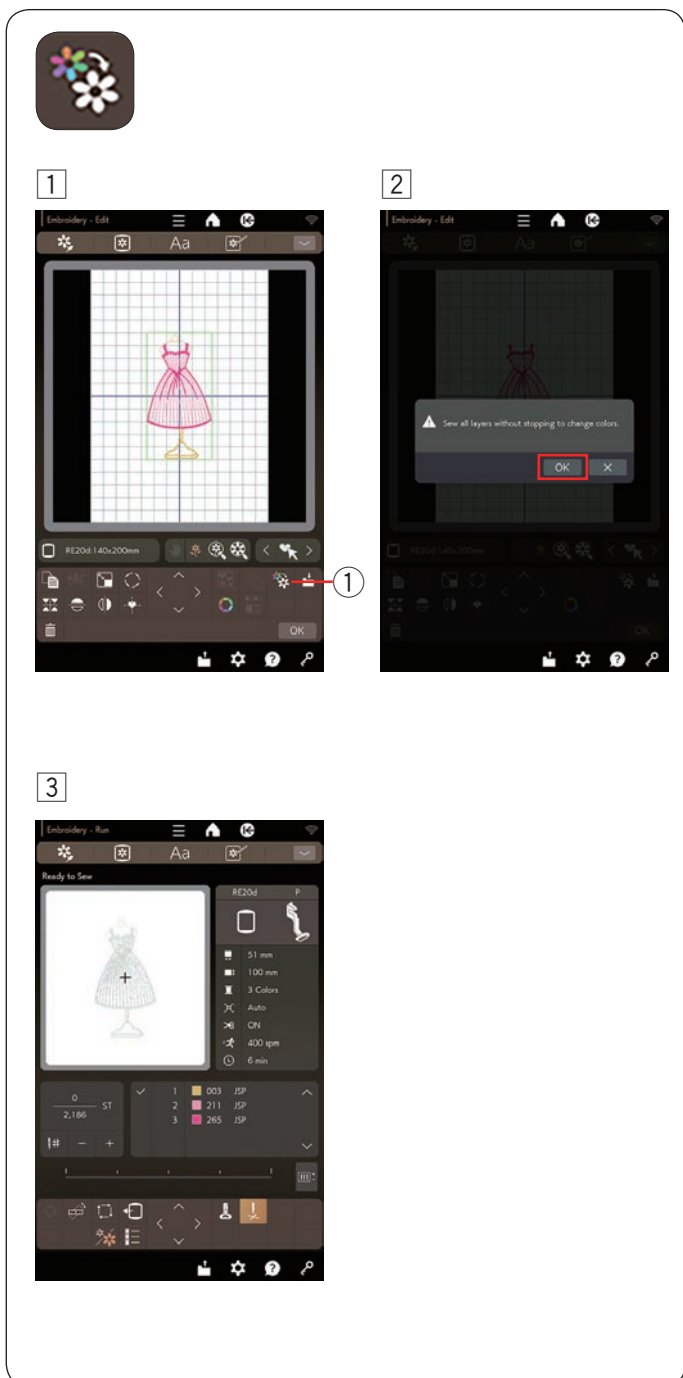
You can change the sewing order of a pattern combination.

Press the sewing order key and press on the images of the patterns one by one.

The patterns will be sewn in the order you press on the images.

Press the sewing order key again to return to the previous screen.

- ① Sewing order key



Single color sewing

If you want to sew a pattern or a pattern combination in one color only, press the single color sewing key.

The machine will not stop until the entire design is sewn.

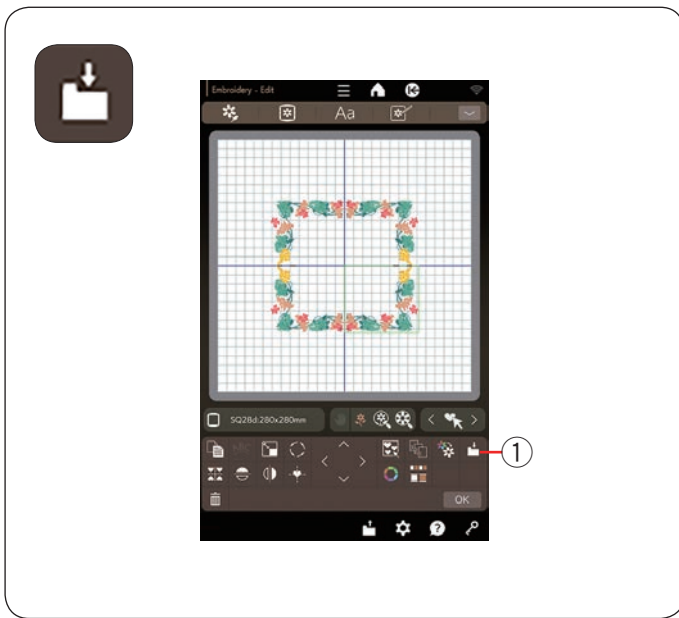
- ① Press the single color sewing key.

- ① Single color sewing key

- ② Press the OK key.

- ③ The design(s) will be displayed in gray.

Press the start/stop button to start single color sewing.
The design will be sewn without stopping for any color change.

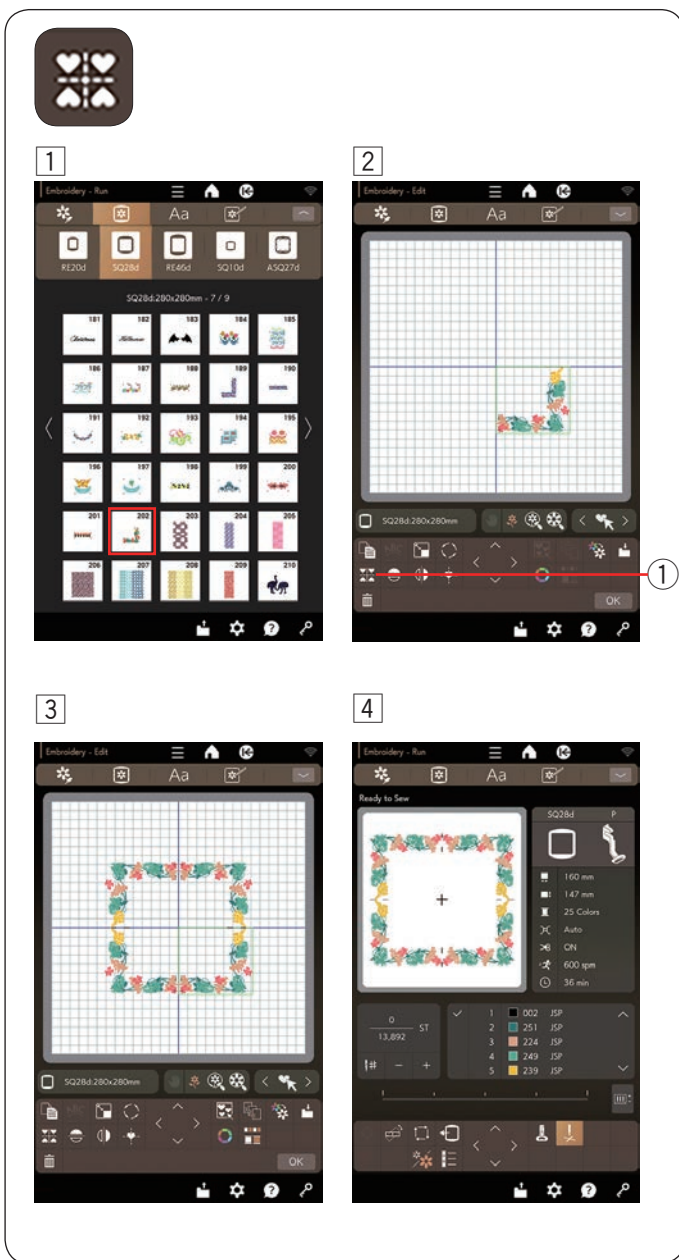


Save file key

You can save original embroidery designs as files in the built-in memory and/or USB flash drive.

Press the save file key to save the edited embroidery design (refer to pages 110-111).

- ① Save file key



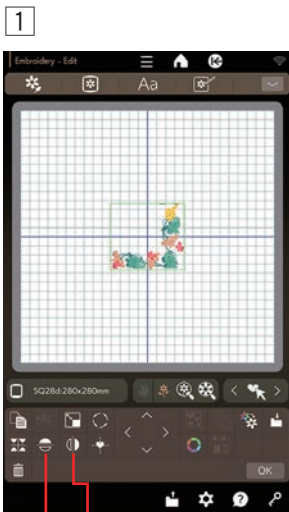
Creating a square frame

- ① Select border design pattern SQ28d #202.
Move the design down and to the right.

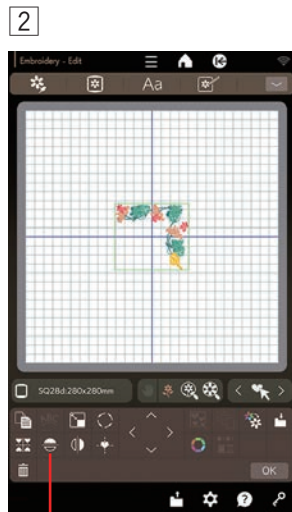
- ② Press the corner layout key.
① Corner layout key

- ③ The pattern will automatically be copied and placed symmetrically into 4 corners.
Press the OK key.

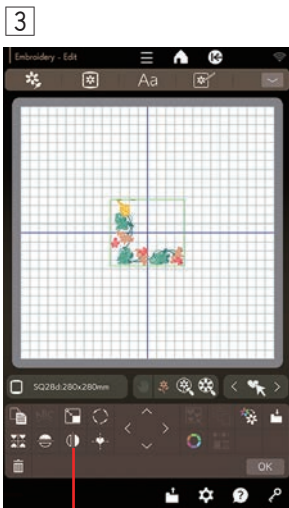
- ④ The Ready to Sew window will open.



① ②



①




②


Flipping a pattern

1 Press the vertical or horizontal mirror image key.

- ① Horizontal mirror image key
- ② Vertical mirror image key

2 Press the  key to create the horizontal mirror image of a selected pattern.

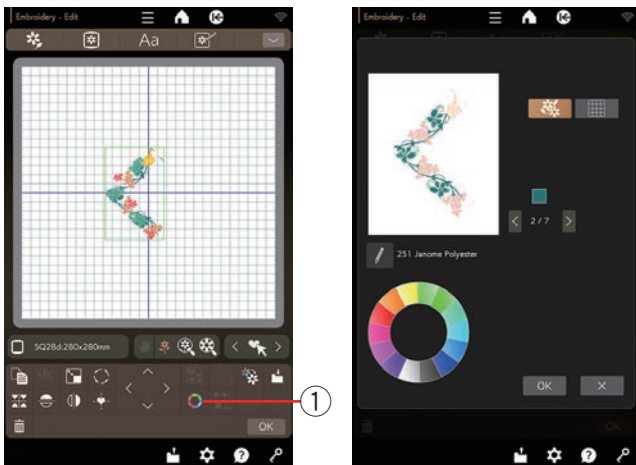
- ① Horizontal mirror image key

3 Press the  key to create the vertical mirror image of a selected pattern.

- ② Vertical mirror image key



1



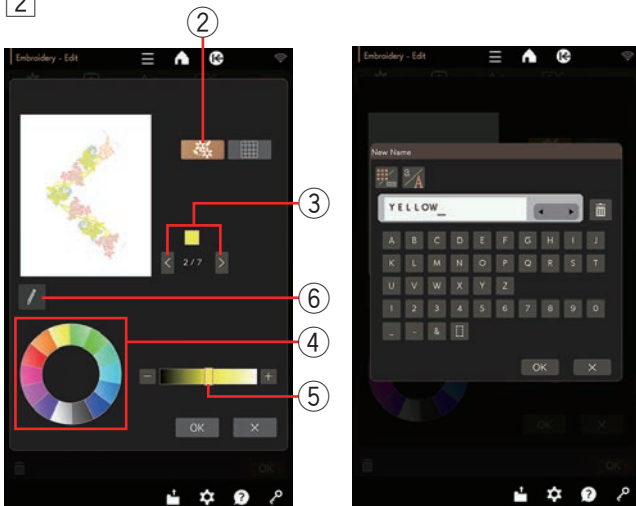
Customizing the display colors

You can simulate the colors of the actual fabric and threads on the screen by customizing the colors of the design image and editing window.

- 1 Press the custom color key and the custom color window will open.

① Custom color key

2



- 2 If you wish to change the color of the design pattern, press the design color key.

Press the scroll keys until the desired section is displayed in the preview window.

② Design color key

③ Scroll keys

To select the hue, press one of the 14 color tiles.

To change the shade of the selected color, press “+” or “-” key, or drag the slider to the left or right.

④ Color tiles

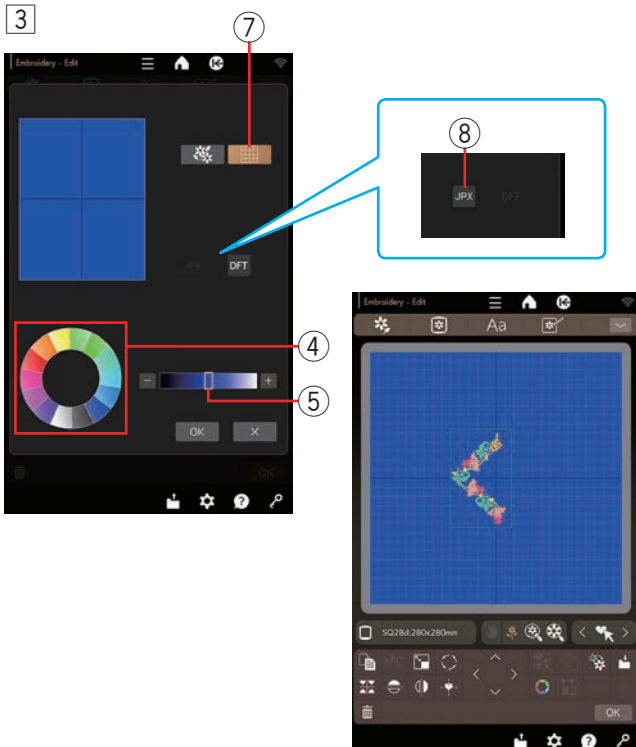
⑤ Slider

You can assign a name to the customized color for the color section by pressing the name key.

The assigned name will be displayed instead of the name and code of the thread color in the embroidery window.

⑥ Name key

3



- 3 To change the background color, press the background color key and select the desired color.

To select the hue, press one of the 14 color tiles.

To change the shade of the selected color, press “+” or “-” key, or drag the slider to the left or right.

⑦ Background color key

NOTE:

Press the background image key to display the image on the background of the editing window if you are opening a JPX format file that contains a background image. By doing so, you can visually confirm the layout of a embroidery pattern and the background images.

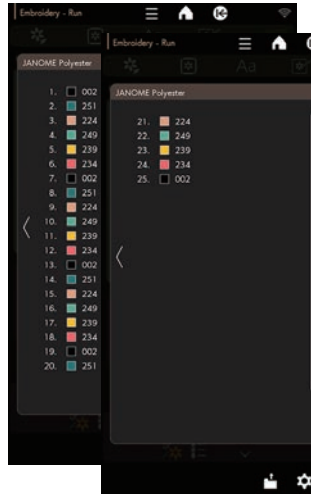
* When you edit an embroidery design with Artistic Digitizer Jr., the file will be saved as *.JPX format automatically if you set the sewing machine as “CM17”.

*.JPX file format can be saved with a background image.

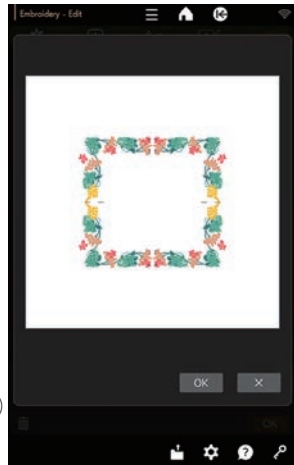
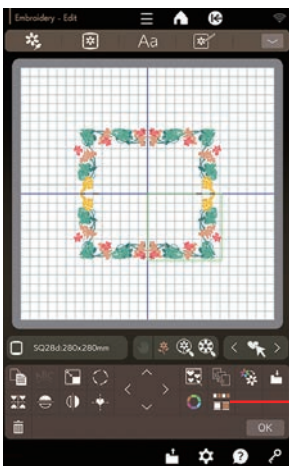
⑧ Background image key



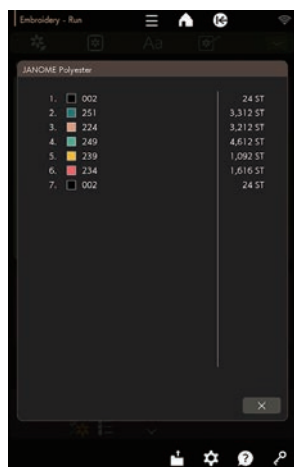
1



2



3



Color grouping

When combining duplicated patterns, you can reduce the number of color sections with color grouping.

- 1 For example, the combined design pattern created on page 85 has 25 color sections.

- 2 Press the color group key and the color grouping window will open.

Press the OK key to unite all color sections of the same color and the Ready to Sew window opens.

- 1 Color group key

- 3 The number of color sections is reduced to 7.

NOTE:

Color grouping will be cancelled when returning to the editing window.

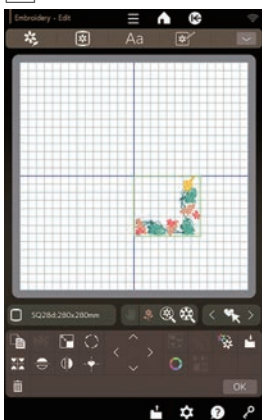


1



1

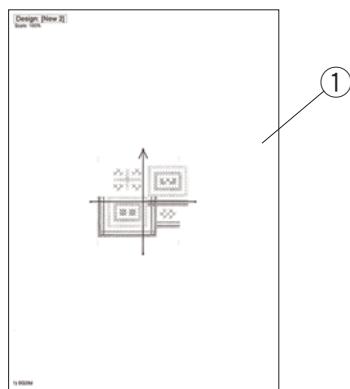
2



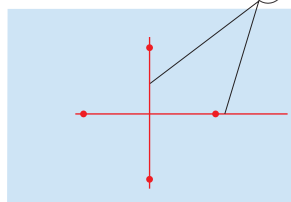
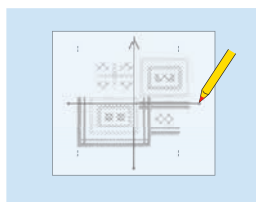
Deleting a pattern

- 1 Press on the pattern to delete.
- 2 Press the delete key to delete the selected pattern.
 - 1 Delete key

1



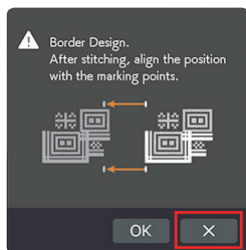
2



3



3



Border Designs

Border design patterns can be accurately connected to each other with the built-in marking points.

Example: Connecting border design patterns RE20d #281 and SQ28d #194.

- 1 Print designs (template sheets) on semi-opaque paper for border design patterns RE20d #281 and SQ28d #194 by using Artistic Digitizer Jr. (refer to pages 92-93).
 - 1 Design (template sheet)

- 2 Place the design (template sheet) on the fabric and mark the end points of the centerlines with tailor's chalk. Draw centerlines on the fabric.

The horizontal line should be long enough to connect the next patterns.

 - 2 Centerlines

- 3 Set the fabric in the hoop and attach the hoop to the carriage.

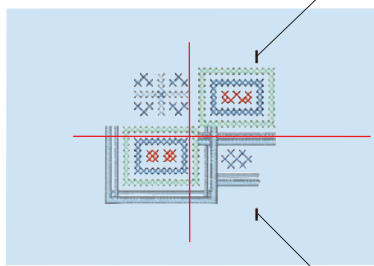
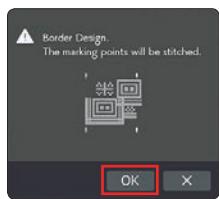
Select border design pattern SQ28d #194 and adjust the hoop position with the jog keys.

Press the start/stop button and a message will appear asking you to sew the first marking points.

Press the X key to skip sewing them and press the start/stop button to start sewing.

 - 3 First marking points

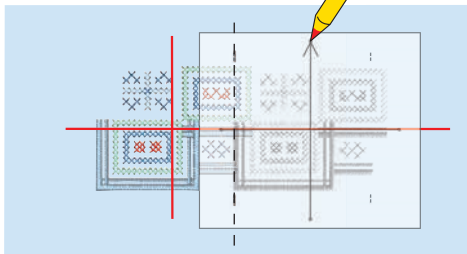
4



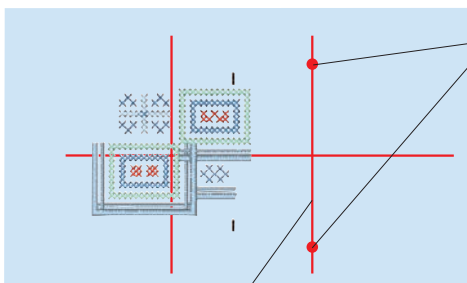
4

4

5



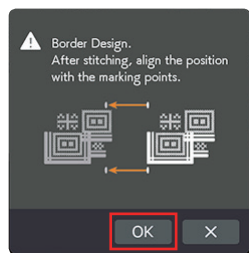
6



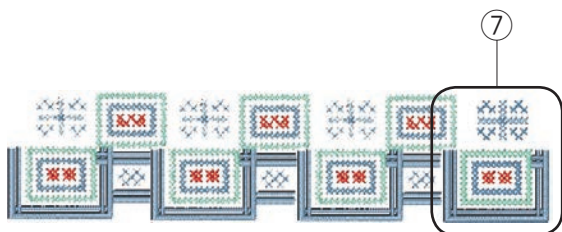
5

6

7



8



7

- 4 The machine will stop automatically when sewing the design pattern is finished.

Press the start/stop button and the message for the last 2 marking points will appear.

Press the OK key and press the start/stop button to sew the last 2 marking points.

- ④ Last marking points

- 5 Remove the hoop from the carriage and remove the fabric from the hoop.

Place the design (template sheet) on the fabric.

Align the marking points of the sewn pattern and design (template sheet).

NOTE:

If semi-opaque paper is not available, print the design (template sheet) on plain paper and cut the left side at the marking points (along the broken line in the illustration).

- 6 Mark the end points of the vertical centerline for the second pattern.

- ⑤ Marking points

- ⑥ Vertical centerline

- 7 Set the fabric in the hoop and adjust the fabric position to match the centerlines for the second pattern and template.

Attach the hoop to the carriage and press the start/stop button.

Press the OK key when the message appears.

The hoop will move to the first marking point for the second pattern.

Lower the needle by turning the handwheel to check if the needle is right above the last marking point of the first pattern.

Adjust the hoop position with the jog keys if necessary.

Press the start/stop button to sew the second pattern.

NOTE:

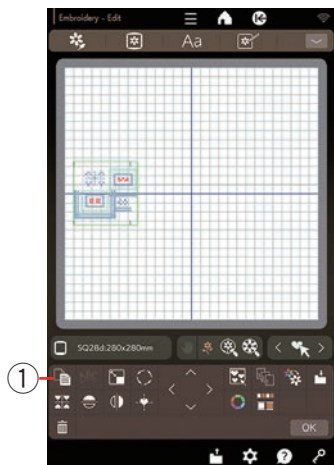
You can use positioning marker embroidery foot PM to confirm the needle drop position without piercing the fabric (refer to pages 18-19).

- 8 Repeat steps 5 to 7 to sew the desired number of patterns.

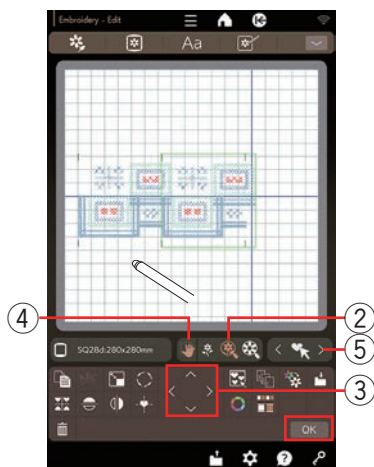
You may sew border design pattern RE20d #281 at the end of the pattern series.

- ⑦ Design pattern RE20d #281

1



2 3



4



Connecting the patterns in the editing window

You can connect border design patterns in the editing window.

Open the editing window and select hoop SQ28d. Select border design pattern SQ28d #194.

- 1 Move the pattern to the left end. Press the duplicate key to duplicate the pattern.
Move the duplicate to the right until the marking points of both patterns overlap.

- 2 Press the view size key to enlarge the pattern image.
Drag the editing screen to show the marking points.
- 3 Press the jog keys and adjust the position of the second pattern to align the marking points exactly.
Press the OK key.

NOTE:

To select the patterns when the scroll key is activated, press the scroll key again to deactivate the scroll key or use the pattern selection key.

- 4 Scroll key
- 5 Pattern selection key

- 4 Ready to Sew window will open.
Press the start/stop button to sew the pattern combination.

NOTE:

The message for the marking points will not appear, but marking points will be sewn.

Quilting with Embroidery Hoop ASQ27d

Embroidery hoop ASQ27d

Embroidery hoop ASQ27d is used for embroidering quilt patterns on quilt layers.

There is no inner hoop but the quilt layers are held in the hoop by means of the magnetic clamps.

- ① Embroidery hoop ASQ27d
- ② ASQ27d template
- ③ Magnetic clamps

⚠ CAUTION:

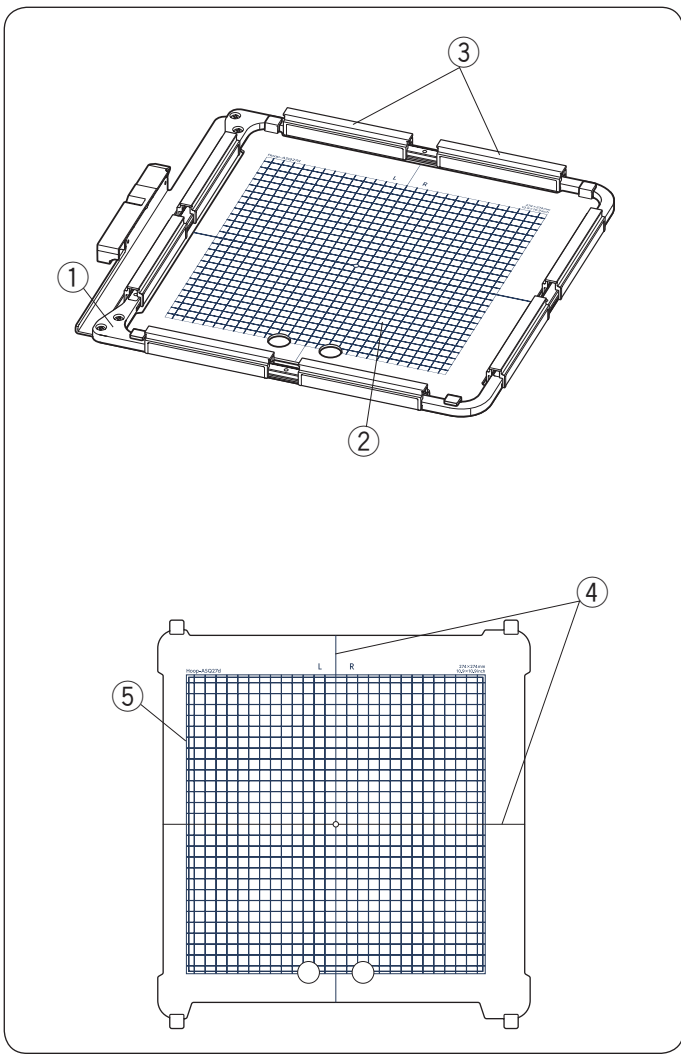
The magnetic clamp can damage items such as credit cards, floppy disks etc.

Do not use the magnetic clamp near persons with a pacemaker or other medical implants which may be affected by the strong magnetic field.

ASQ27d template

- ④ Centerlines
- ⑤ Maximum area of embroidery

Calibrate the center position before use (refer to page 103).



Printing the design (template sheet)

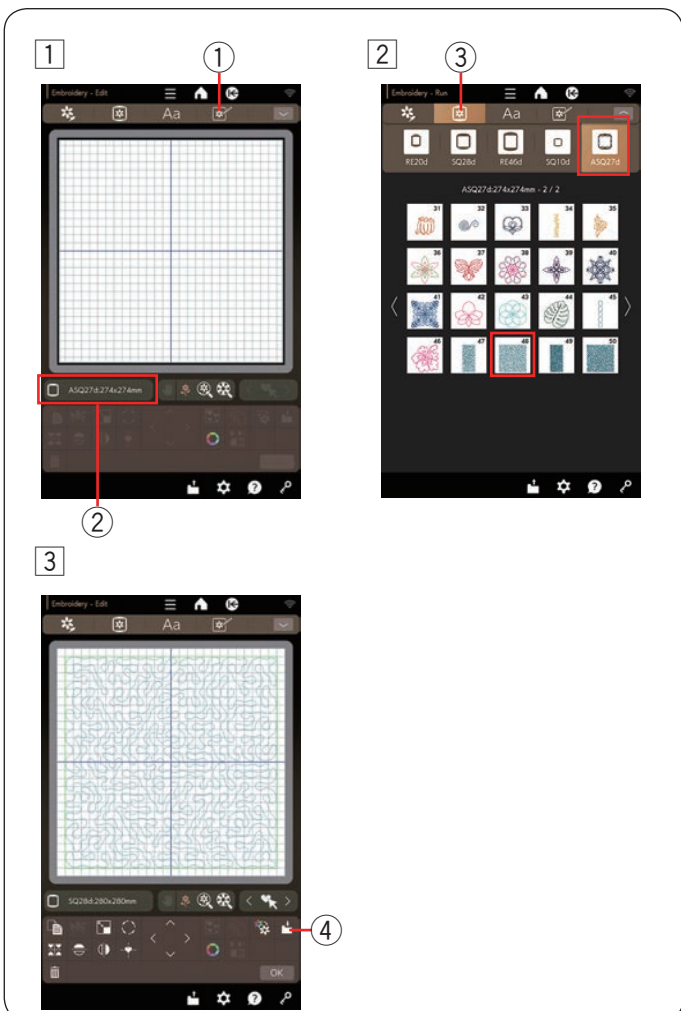
Save the built-in embroidery pattern to a USB flash drive, and print the design (template sheet) using the printing function in Artistic Digitizer Jr.

Printing embroidery pattern ASQ27d #48

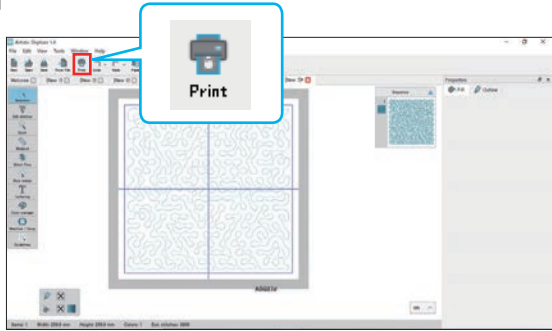
- ① Press the editing mode key to open the editing window. Press the hoop selection key to select ASQ27d.
 - ① Editing mode key
 - ② Hoop selection key
- ② Press the design selection key and select embroidery hoop ASQ27d. Select embroidery pattern #48.
 - ③ Design selection key
- ③ Insert the USB flash drive to the USB port located on the right side of the sewing machine (refer to pages 110-111).
 - ④ Save file key

NOTE:

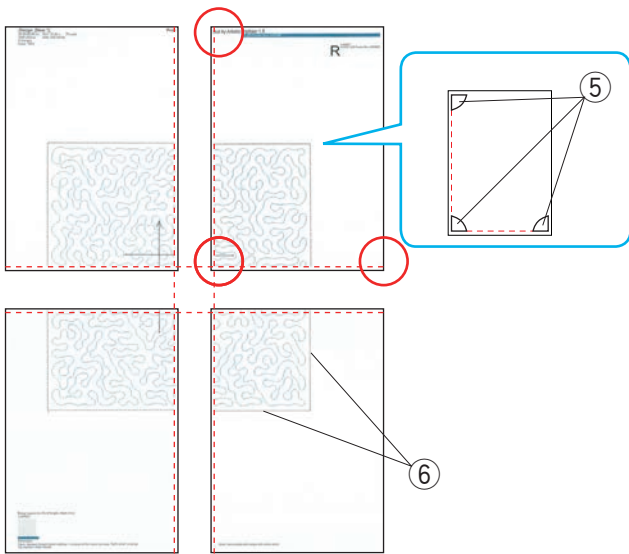
- USB flash drive capacity 64 GB and under is recommended for this sewing machine.
- This model supports FAT16 and FAT32 formats only. If the USB flash drive is not read, check its format (refer to pages 124-125).



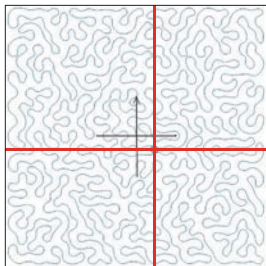
4



5 6



7



- 4 Launch "Artistic Digitizer Jr." on your PC / Mac and set the sewing machine and embroidery hoop.
Select the sewing machine to "CM17".
Select the embroidery hoop size to "ASQ27d".
Open the ASQ27d #48 built-in stitch pattern saved in step 3 with Artistic Digitizer Jr.

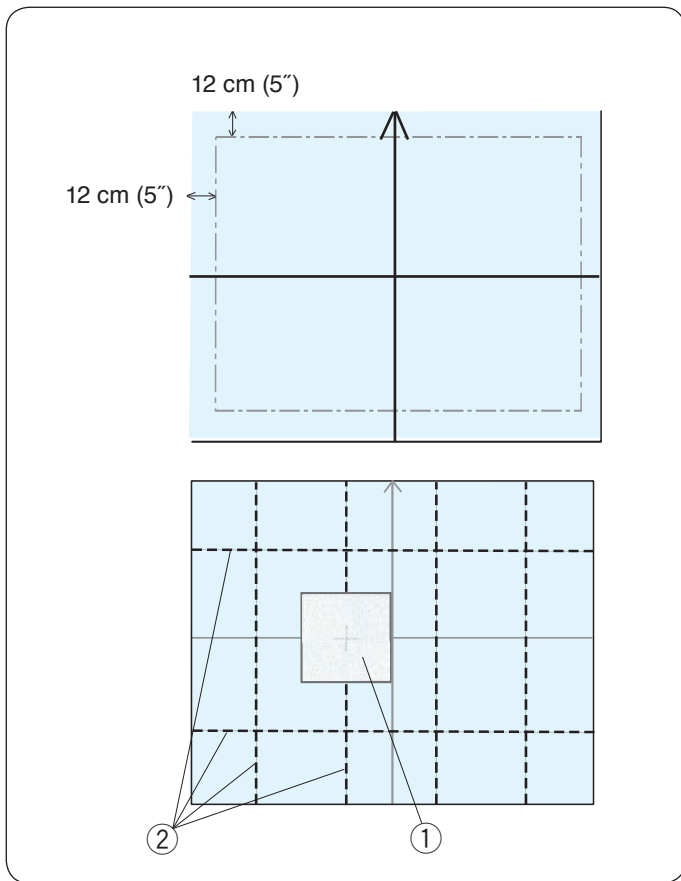
NOTE:

For setting the sewing machine and embroidery hoop, refer to the "QUICK START GUIDE" that comes with Artistic Digitizer Jr., or Help of the Artistic Digitizer Jr. software.

- 5 Click the "Print" icon on the standard bar to print the design (template sheet).
The design (template sheet) is printed on 4 pages.
* Refer to "Print designs" on Help for more details.

- 6 Align the trim marks on the corners of each design (template sheet), and cut out the margin inside of the design patterns.
Trim the design (template sheet) along the cut lines.
 - 5 Trim mark
 - 6 Cut line

- 7 Cut each section out and glue them together as shown.



Marking the centerlines

Prepare a quilt top, base fabric and batting.

Lightweight battings for machine quilting are recommended.

Add at least 12 cm (5") outer margin to the embroidery area when deciding the overall quilt size.

Draw centerlines and arrowhead to the center of the fabric with a washable marker.

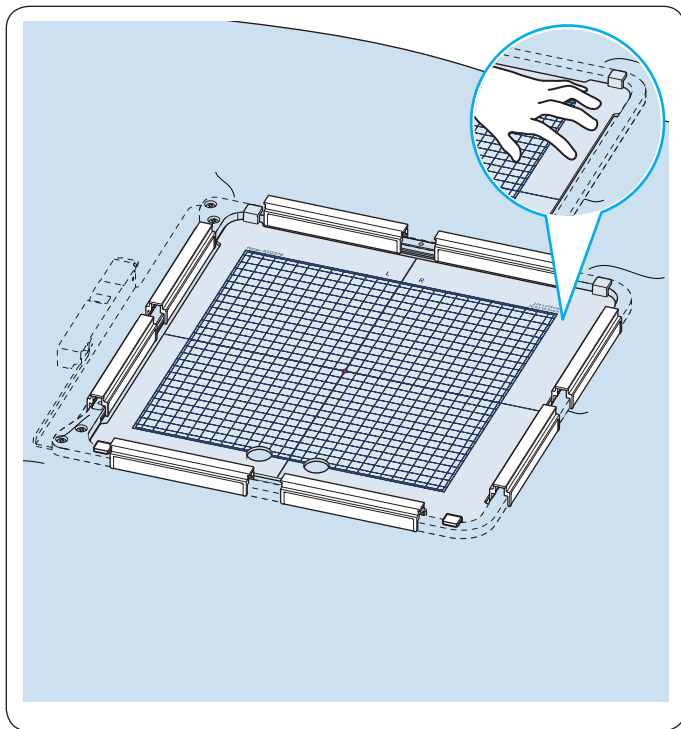
Pin or baste all layers together.

Place the design (template sheet) on the quilt to check the general arrangement.

Place the design (template sheet) as shown and draw the lines on the extension of the centerlines of the design (template sheet).

Mark the centerlines for each section on the quilt top.

- ① Design (template sheet)
- ② Centerlines



Setting quilt layers in hoop ASQ27d

Position the quilt layers on hoop ASQ27d.

Place the ASQ27d template on the quilt and adjust the position of the quilt aligning the centerlines of the quilt and ASQ27d template.

Set the quilt layers in the hoop and press down the ASQ27d template.

While pressing the ASQ27d template close to the outer frame, depress the magnetic clamps onto the hoop to fasten the quilt layers to the hoop.

Remove the ASQ27d template.

Remove pins and basting stitches from the hooped area.

Sewing stippling design patterns

- 1 Press the design selection key to select hoop ASQ 27d. The design patterns from #47 to #50 are stippling patterns.

Select the desired pattern. (An example is pattern #48)

- 1 Design selection key

- 2 Turn the “One Stitch Stop” function ON in the Embroidery setting mode (refer to page 101).

Attach hoop ASQ27d to the machine and sew the first section.

NOTE:

- Use the same thread for the bobbin as the needle thread.
- Adjust the foot height ② if necessary.
- Be sure that the “Bobbin thread remaining sensor” function is turned ON in the Embroidery setting mode (refer to page 101).
- The purple tip needle is recommended to prevent skipped stitches.

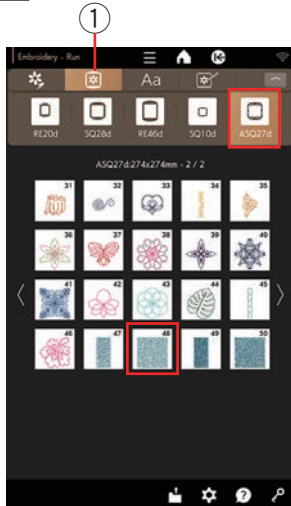
- 3 Then rehoop the quilt layers and sew the next section.

Repeat these steps. Sew the center section first, then neighboring sections one by one outward.

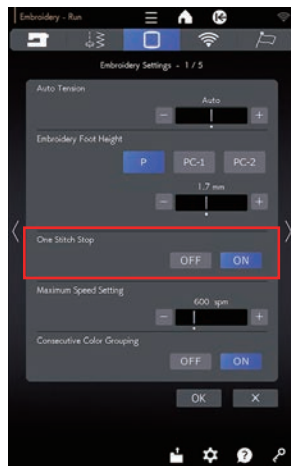
NOTE:

- Provide a wide space around the machine.
- Prevent the free end of the quilt layers from hanging down from the sewing surface.
- Make sure to raise the needle by pressing the needle up/down button before moving the carriage to the home position.
- You can change the size of stippling designs with Artistic Digitizer Jr.
- Artistic Digitizer Jr. also includes stippling patterns.

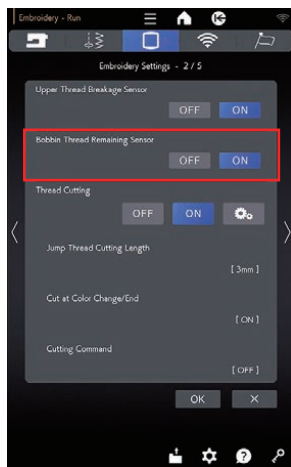
1



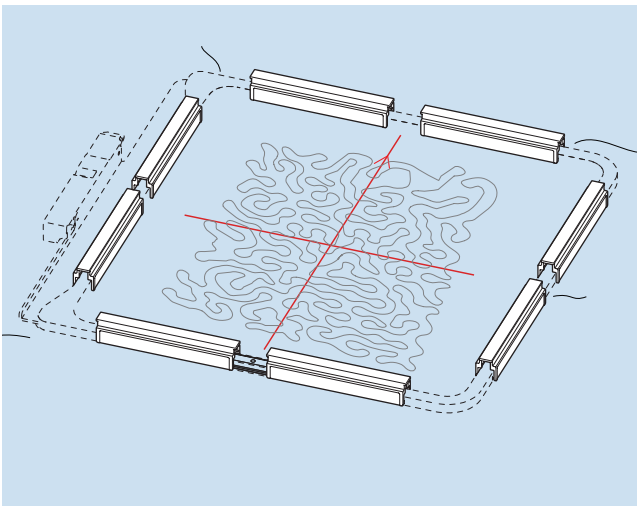
2



2



3



INFORMATION AND CUSTOMIZING

Function Menu

Press the Function menu key to open the function menu.

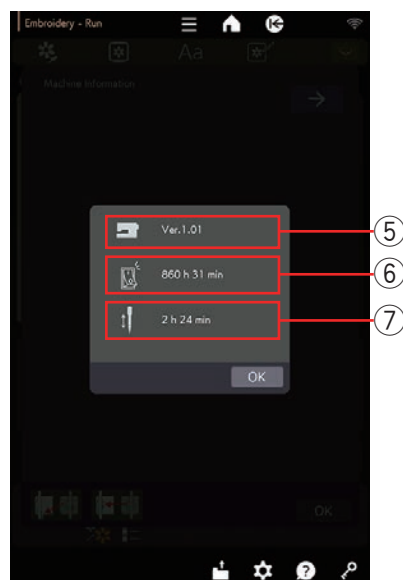
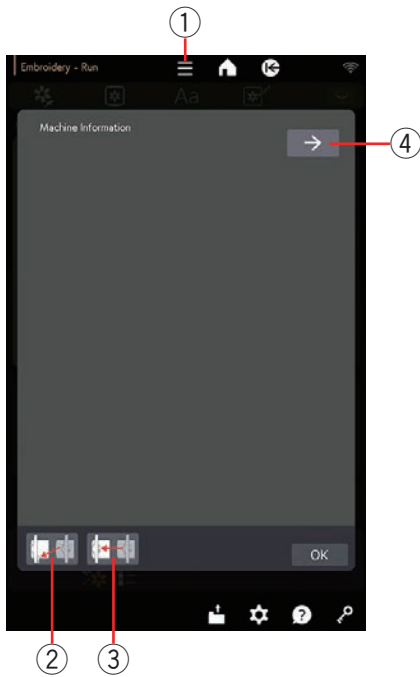
- ① Function menu key

You can refer to the sewing machine information, or move the carriage from the function menu.

Press the home position key or the packing position key and the confirmation window will open. Press the OK key to move the carriage to the selected position.

If the carriage is already in one of the 2 available positions, the key for that position will be grayed out.

- ② Home position key
- ③ Packing position key

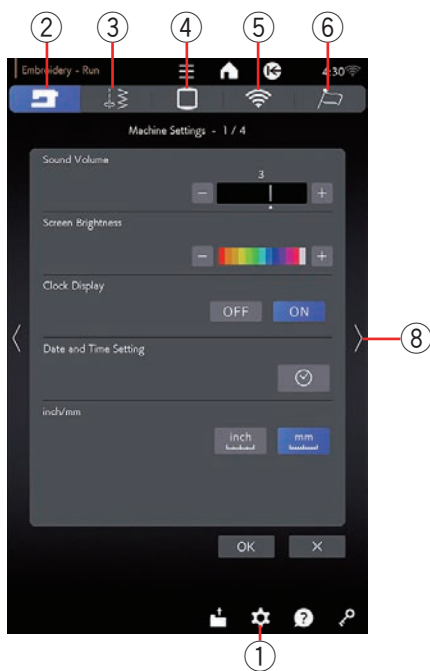


Machine information

You can see the software version of the machine, total power-on time of the machine and total operating time of the machine.

Press the machine information key to open the machine information window.

- ④ Machine information key
- ⑤ Software version
- ⑥ Total power-on time
- ⑦ Total operating time



Customizing Machine Settings

Press the set mode key to enter the machine settings mode.

You can select various options and customize the machine settings to suit your personal preference.

① Set mode key

Press one of the 5 keys to select the mode to customize.

② Machine setting mode key

Press the machine setting mode key to enter the common setting mode.

In this mode, you can customize the general machine settings and options (refer to pages 98-100).

③ Sewing setting mode key

Press the sewing setting mode key to enter the ordinary sewing setting mode.

In this mode, you can customize the machine settings and options for ordinary sewing (refer to the Instruction book for Ordinary Sewing/Sewing Application).

④ Embroidery setting mode key

In this mode, you can customize the machine settings and options for embroidery (refer to pages 101-104).

⑤ Wireless LAN setting mode key

In this mode, you can set up the Wireless LAN connection for both ordinary sewing and embroidery (refer to pages 105-108).

⑥ Language setting mode key

Press the language setting mode key to enter the language setting mode. In this mode, you can select the desired language for screen messages (refer to page 109).

To browse pages in each mode, press the next page key or previous page key.

⑦ Previous page key

⑧ Next page key

Registering the custom settings

After customizing the settings, press the OK key to enable the new settings.

To cancel the changes to the settings, press the X key and the setting mode window will close.

Machine Setting Mode

① Sound Volume

The signal sound can be adjusted by pressing the “+” or “-” key.

Set the value to “OFF” by pressing the “-” key several times to mute the signal sounds.

② Screen Brightness

You can adjust the brightness of the visual touch screen by pressing the “+” or “-” key.

③ Clock Display

You can turn off the clock display by pressing the OFF key.

④ Date and Time Setting

Press the clock key  to set date and time.

Set the Year, Month, Day, Hour and Minute by pressing the “+” or “-” key. You can select the display for the time as a 24-hour clock or 12-hour clock. If you select the display for the time as the 12-hour clock, you can also select AM or PM.

⑥ Year

⑦ Month

⑧ Day

⑨ Hour

⑩ Minute

⑪ 24-hour clock

⑫ 12-hour clock

⑬ AM / PM

⑤ Inch/mm Option

You can set your machine’s dimensional unit to either inches or millimeters by pressing the “inch” or “mm” icon key.

The default unit is millimeters.

Press the next page key to show the next menu.

⑭ Clean Bobbin Holder Message displayed every 10 hours

The caution message for cleaning the bobbin holder and the hook race will be displayed when a certain time (10 hours) passes if this option is turned on.

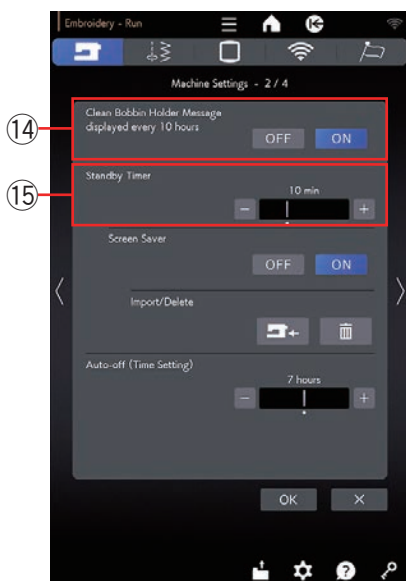
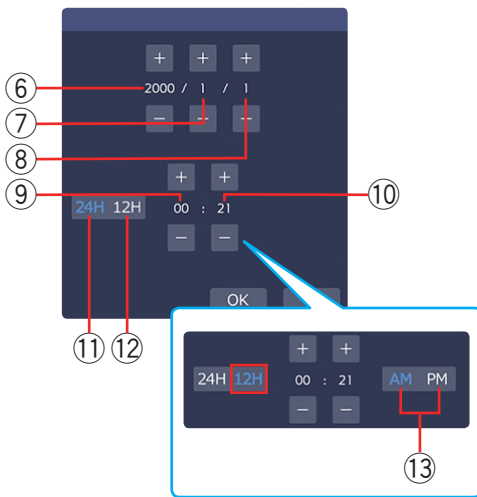
The caution message will not be displayed when this option is turned off.

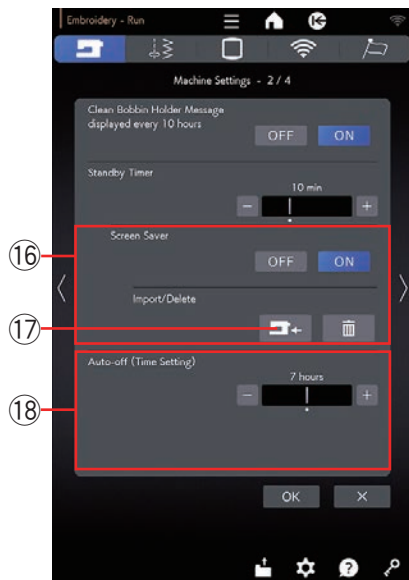
⑮ Standby Timer

The sewing lights will turn off and the machine will enter standby mode if you do not use the machine within the time period set by this timer. Doing any operation will turn the lights and screen on again.

The standby timer can be set from 1 to 30 minutes.

If you wish to turn off the timer, press and hold the “+” key until “OFF” shows in the timer window.






16 Screen Saver

Press the ON key to turn on the screen saver, and the visual touch screen will show the screen saver when the machine is in standby status.

Press the import key to import a screen saver from a USB flash drive.

You can create an original screen saver with “Screen Saver Tool”. (To download the Screen Saver Tool, refer to the quick start guide that comes with this sewing machine.)

The imported screen saver data will be deleted if the delete key  is pressed.

17 Import key

18 Auto-off (Time Setting)

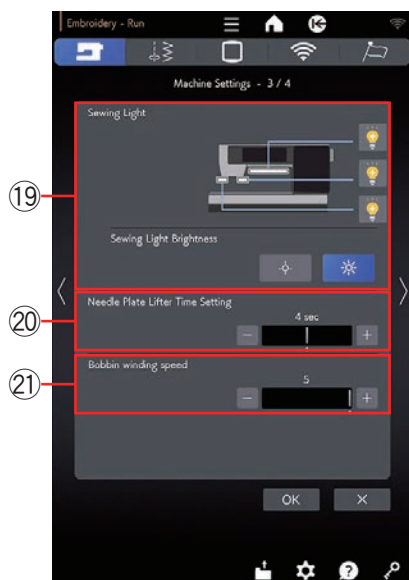
The machine will be automatically turned off if you do not use it within the time period set by this timer.

The “Auto-off (Time Setting)” can be set from 1 to 12 hours.

If you wish to turn off the timer, press and hold the “+” key until “OFF” shows in the timer window.

To turn on the machine again, turn the power switch on.

Press the next page key to show the next menu.



19 Sewing Light

The sewing lights can be turned on or off individually. Press the corresponding light keys to turn the sewing lights on or off.

You can set the brightness of sewing lights to either bright light or low light.

20 Needle Plate Lifter Time Setting

You can set the needle plate lifting time between 2-6 seconds.

21 Bobbin winding speed

If you wish to wind the bobbin thread more quickly or slowly, you can adjust the maximum bobbin winding speed by pressing the corresponding key.

Press the next page key to show the next menu.



②② Format

If the internal memory of the machine or USB flash drive does not function due to damage to the memory bank, you need to re-enable it by formatting the memory.

To format the machine's internal memory, press the machine icon key and a confirmation message will appear. Press the OK key to format.

To format a USB flash drive, press one of the USB icons and the confirmation window will open. Press the OK key to format.

CAUTION:

Do not turn off the power or disconnect the USB flash drive while a warning message is displayed otherwise it may damage the memory bank.

②③ Reset All to Defaults

Press the Yes key to reset all the parameters except wireless LAN settings to the original values (factory settings).

Press the OK key to register the new menu.

Embroidery Setting Mode

Press the embroidery setting mode key (refer to page 97).

① Auto Tension

The auto thread tension level can be adjusted with the “+” or “-” key. Increase the value when using the same threads on the bobbin and needle.

② Embroidery Foot Height

The machine measures fabric thickness and automatically sets the presser foot to the optimum height. However, you can fine tune the foot height according to fabric material and/or other sewing conditions by pressing the “+” or “-” key. The adjustable range is 0 mm to 4 mm. You can select the type of embroidery foot to set the embroidery foot height from P, PC-1 or PC-2 by pressing the corresponding key.

③ One Stitch Stop ON/OFF

When this function is turned on, the machine sews one stitch and stops automatically with the “One Stitch Stop” message displayed on the screen, so that you can bring the bobbin thread up before sewing.

④ Maximum Speed Setting

The maximum embroidery sewing speed can be set from 400 to 1200 spm in 100 spm intervals by pressing the “+” or “-” key. (Sewing speed can be varied with the speed control slider even while running the machine.)

NOTE:

Reduce the sewing speed when sewing patterns with narrow zigzag stitches that tend to warp at high speeds.

⑤ Consecutive Color Grouping ON/OFF

If an imported stitch data file or design files of a pattern combination contain consecutive sections in the same color, these sections are automatically grouped together as one section when opening the file or saving the pattern combination as a file or going to the Ready to Sew window. This function is invalid when combining the built-in designs and externally sourced designs.

Turn this option off if you do not wish to group the sections together.

Press the next page key to go to the next menu.

⑥ Upper Thread Breakage Sensor

If you want to turn off the auto-stop function when the upper thread (needle thread) breaks, turn off the upper thread breakage sensor.

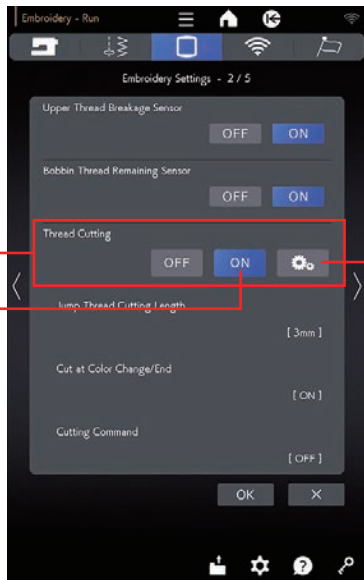
⑦ Bobbin Thread Remaining Sensor

If you want to turn off the auto-stop function when the bobbin thread runs out, turn off the bobbin thread remaining sensor.



One Stitch Stop





⑧ Thread Cutting

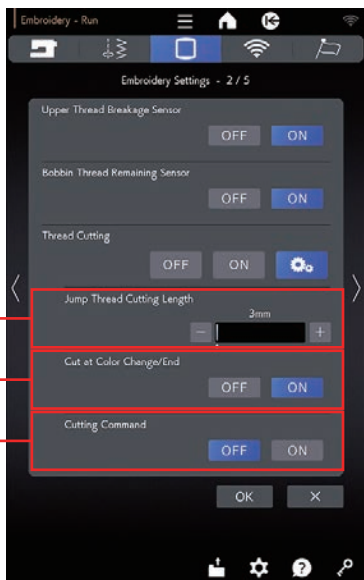
There are 3 thread cutting options for embroidery.

⑨ Easy setting

When this setting is turned on, the machine will trim the threads if the jump thread is 3 mm or longer, or when the machine stops to change the thread to the next color.

⑩ Advanced setting

When this setting is turned on, you can configure the Jump thread cutting ⑪, Cut at color change/end ⑫, and Cutting Command ⑬ options individually.



⑪ Jump Thread Cutting Length

When this option is turned on, the machine trims the jump threads if the jump thread length is the same or more than the set value.

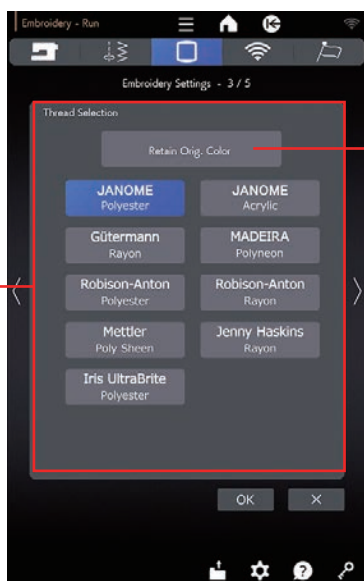
⑫ Cut at Color Change/End

When this option is turned on, the machine trims the thread when it stops to change the thread to the next color.

⑬ Cutting Command

When this option is turned on, the machine trims the threads at the trim code if the imported stitch data file contains a trim command (cutting command).

Press the next page key to go to the next menu.



⑭ Thread Selection

There are 9 types of embroidery thread to choose from. Press the key of the thread you wish to use. The color code and the selected brand are shown on the Ready to Sew window. The color code and the selected brand are also shown by pressing the color list key.

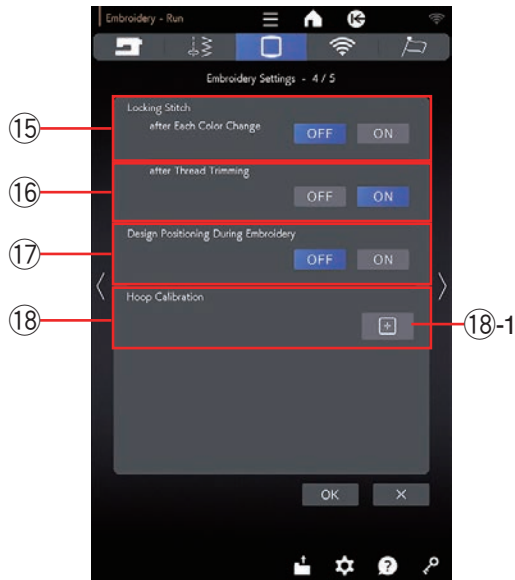
If you use imported embroidery stitch data containing proper thread information, press the “Retain Orig. Color” key to retain this information.

⑭-1 Retain original color key

Press the next page key to go to the next menu.

NOTE:

You do not need to change Locking stitch function settings when using built-in embroidery designs.

**15 Locking Stitch ON/OFF (after Each Color Change)**

The threads may ravel if the stitch data does not contain locking stitches at the beginning of each color section. To avoid raveling, insert locking stitches at the beginning when this function is turned ON.

16 Locking Stitch ON/OFF (after Thread Trimming)


If you turn ON thread cutting (refer to the previous page “Thread cutting”), the machine will insert locking stitches after the jump to avoid threads from raveling.

17 Design Positioning During Embroidery

If you turn ON the “Design Positioning During Embroidery”, you can re-position the embroidery design with the jog key.

18 Hoop Calibration

You can calibrate the center position of the hoops. You need to enter embroidery mode before opening the embroidery setting window.

Attach the embroidery unit and press the  key **18-1**.

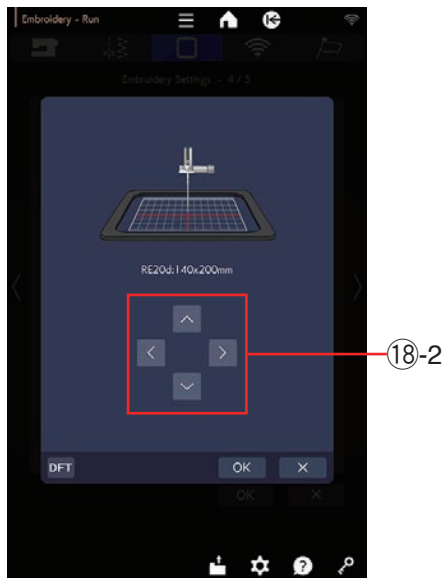
The carriage moves to the center position.

Select the hoop and attach it to the carriage. Set the template in the hoop.

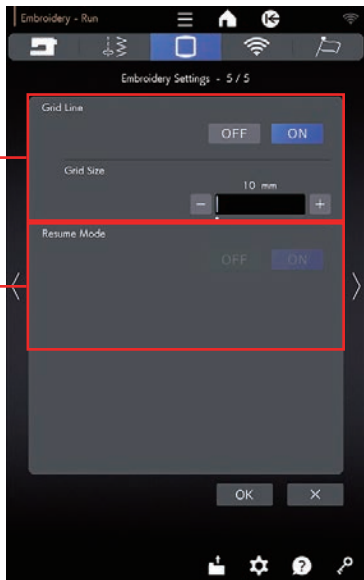
Adjust the hoop position by pressing the jog keys so that the needle is right above the hole in the template and press the OK key.

18-2 Jog keys

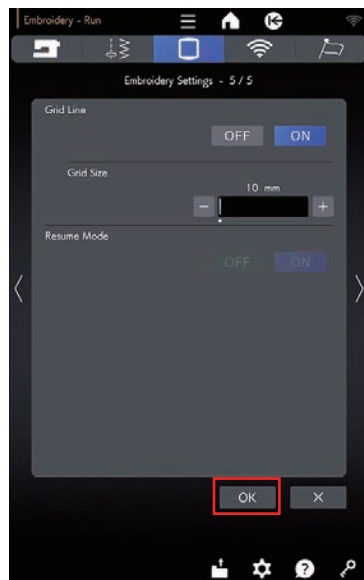
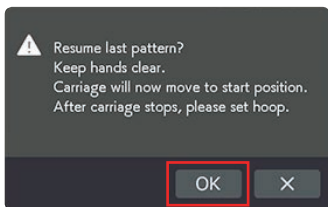
Press the next page key to go to the next menu.



19



20



19 Grid Line ON/OFF

Turn this option on to show a grid in the editing window. The grid size can be altered from 10 mm to 30 mm with the “+” or “-” key when this option is on. Turn this option off to hide the grid.

20 Resume Mode

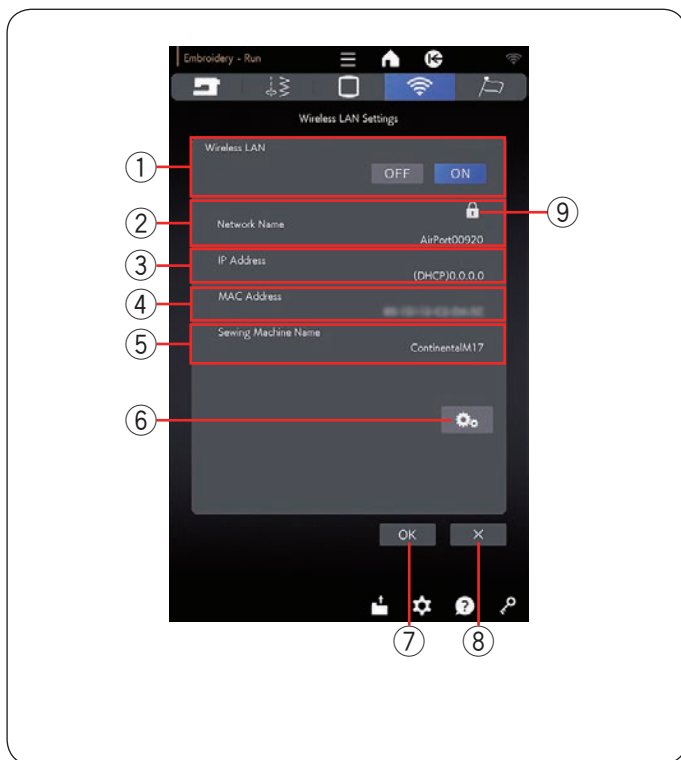
When resume mode is turned on, the last stitch sewn before turning the power off will resume when you turn the power on again.

NOTE:

You cannot turn off the resume mode setting if the “Auto-off (Time Setting)” is not set to “OFF” (refer to page 99).

When you turn the power on, the confirmation window opens. Press the OK key to resume the last stitch of the sewn pattern.

After customizing the settings, press the OK key to enable the new settings. To exit the setting mode without changing the settings, press X key.



Wireless LAN Setting Mode

Connecting wireless LAN network

A wireless router device that complies with the IEEE802.11b/g/n wireless standard is required for connecting your machine with a wireless LAN network.

Starting Wireless LAN Settings

The default setting of the wireless LAN connection is “ON” ①. The network setting key ⑥ is enabled. Press the network setting key ⑥ to enter the network settings.

Choose one of the 4 methods to connect with the wireless LAN connection (refer to pages 106-107).

① Wireless LAN connection

The default setting of the wireless LAN connection is “ON”. The Wireless LAN connection and the network setting key ⑥ are enabled. Press “OFF” to disconnect wireless LAN connection.

② Network Name

The name of the wireless network (SSID) connected with your Continental M17 is displayed. The lock icon ⑨ appears if the connected access point is secured with an encryption key.

③ IP Address

The IP address of your machine is displayed.

“(DHCP)” is displayed in front of the IP address when the DHCP option is turned on.

The IP address can be changed in the network settings.

④ MAC Address

The MAC address of the Continental M17 is displayed.

⑤ Sewing Machine Name

The sewing machine name for network identification is displayed.

The sewing machine name can be changed in the network settings.

⑥ Network setting key

Press this key to open the Network Settings window (refer to pages 106-108).

⑦ OK key

Press this key to confirm the wireless LAN network connection setting.

⑧ Cancel key

Press this key to cancel the wireless LAN network connection setting.

NOTE:

The use of home appliances such as a microwave oven, Bluetooth devices or cordless phones can reduce the range of the Wireless LAN connection (if your wireless router’s network standard is using IEEE802.11b or IEEE802.11g). You may need to reduce the distance between the machine and the wireless LAN access point, or install the wireless LAN access point at an appropriate location.

NOTE:

- If you select Push Button for the security setting of your wireless LAN router, check the following:
 - Select “ASCII” for the encryption type.
 - Select the initial number for the key index number (The initial number can be “0” or “1”, depending on the wireless LAN router).
 - For setting up, refer to your wireless router’s instructions.
 - Connect only one device to the wireless LAN access point. To use applications for Continental M17* when you are using several Janome sewing machines at the same time, turn OFF the wireless LAN settings or the power switches of the machines that are not currently in use. Then connect the machine (Continental M17) to the wireless LAN access point.
- * AcuAssist, AcuSetter, AcuSketch, ScreenSaverTool, Embroidery-Link, etc.
(To download applications for Continental M17, refer to the quick start guide that comes with this sewing machine.)

Network settings

NOTE:

Please refer to your wireless router's instructions when using the push-button or PIN method to connect with the wireless LAN network connection.

① Wireless LAN settings push-button configuration method

Press "Push button" ①.

The Push-Button Sys. dialog box appears on the screen. Press the Wireless LAN settings button on the wireless LAN router.

The dialog box appears and the wireless LAN router will automatically connect with your Continental M17.

To use the Wireless LAN settings push-button configuration method, the wireless router must support this method. Please also refer to the wireless router's instructions about this method.

NOTE:

The machine displays "Connection to the network failed" if it cannot receive a signal from the wireless LAN access point within 2 minutes.

② Wireless LAN settings PIN method

If the wireless router supports the Wireless LAN settings PIN method, you can connect the machine using this method.

Press "PIN Code" ②. The PIN Code System dialog box appears.

Register the PIN code to the router before the PIN Code System dialog box is closed to establish the network.

To enter the PIN code to your wireless router, please refer to the instructions of your wireless router's Wireless LAN settings PIN method setup.

NOTE:

The machine displays "Connection to the network failed" if the Wireless LAN connection is not established within 2 minutes.

③ Search for access point

Press "Search" ③.

The machine will search for any wireless LAN access point within the range, and the names of network will be listed.

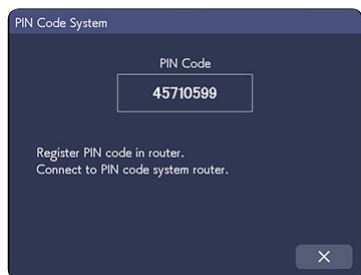
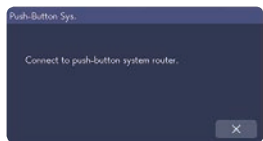
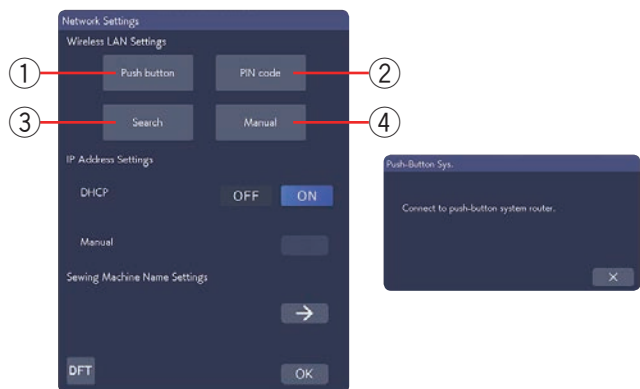
The lock icon ⑤ appears on the right side of the list if the connection requires an encryption key to get connected.

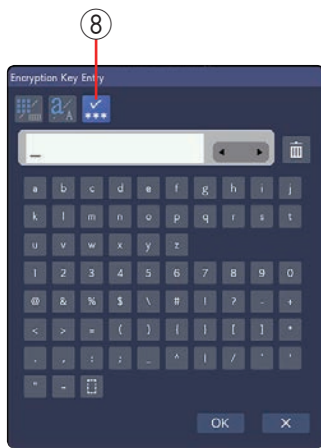
The signal strength icon ⑥ shows the strength of the connection signal. The number of waves above the dot indicates the signal strength of the wireless connection.

Press the wireless network name you would like to connect with.

NOTE:

If you cannot find the wireless LAN access point you are looking for, press the refresh key ⑦ to search for the wireless LAN access point again.

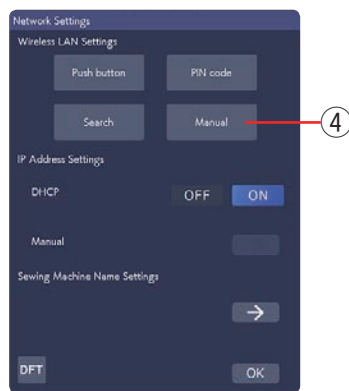




If the selected wireless network requires an encryption key for connection, the Encryption Key Entry dialog box appears. Be careful to enter uppercase or lowercase letters as required.

Enter the encryption key and press the OK key to establish the network.

Press show/hide key ⑧ to show or hide the entry.



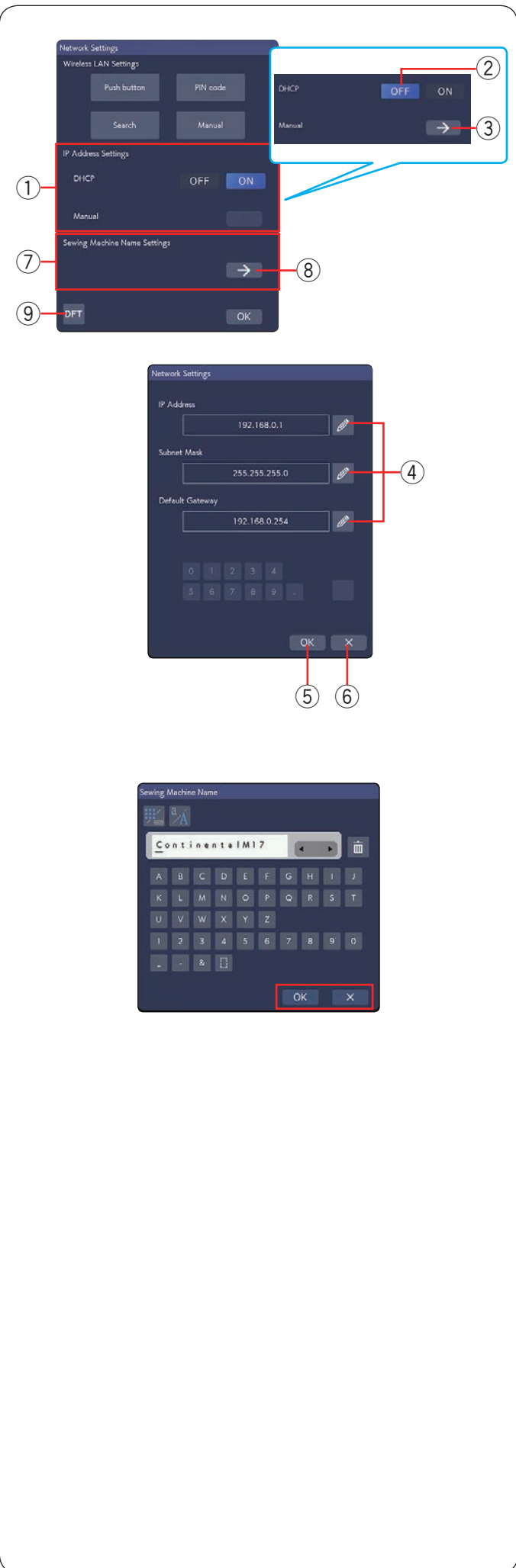
④ Manual method

Press “Manual” ④. Enter the network name you would like to connect with. Press the OK key.

If the selected wireless network requires an encryption key for connection, the Encryption Key Entry dialog box appears.

Enter the encryption key and press the OK key to establish the network.





① IP Address Settings (network settings)

Turn the DHCP option ON to use DHCP to assign an IP address.

If you want to configure the network settings manually, press the DHCP option OFF ②, and press the arrow key ③ for the Manual option.

The network settings window appears.

Press the icon ④ of the item you would like to set, choosing from IP Address, Subnet Mask or Default Gateway.

Enter the setting by pressing the numeric keys that appear under the settings.

Press the key to assign the settings.

Press the OK key ⑤ to confirm the network settings.

Press the X key ⑥ to cancel the settings.

NOTE:

- You do not need to turn off the DHCP option and configure the network settings manually unless you know the appropriate IP address, Subnet Mask and Default Gateway for this machine.
- When the DHCP option of Continental M17 is turned ON, turn on the DHCP option of your wireless router as well.

⑦ Sewing Machine Name Settings

Press the arrow key ⑧ to open the sewing machine name setting window.

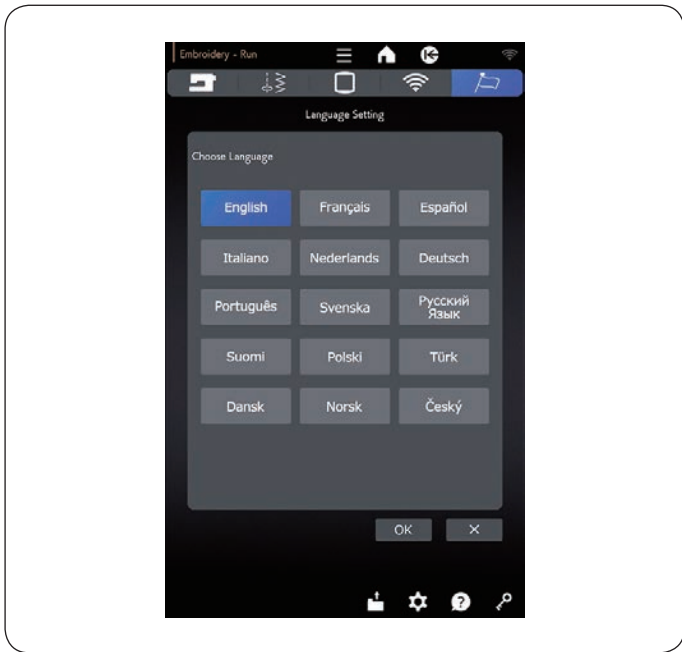
Enter the sewing machine name for the network identification.

Press the OK key to change the name.

Press X to cancel the settings.

⑨ Default key

Press default key ⑨ to reset the Wireless LAN settings (factory settings).



Language Setting Mode

Select the desired language and press the OK key. The right touch screen shows messages in the selected language.

SAVING AND OPENING A FILE

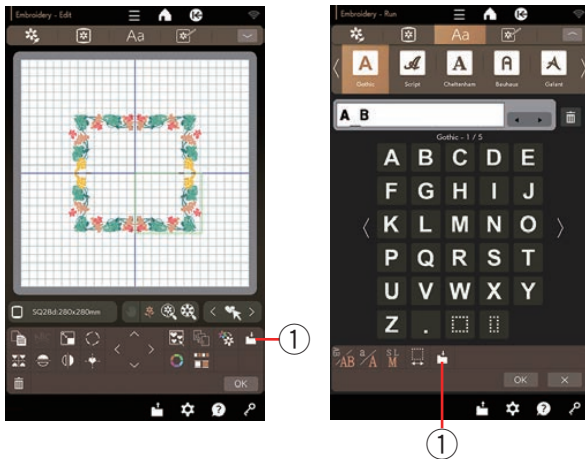
Saving a File

You can save original embroidery designs created in embroidery mode as files in the built-in memory and/or USB flash drive.

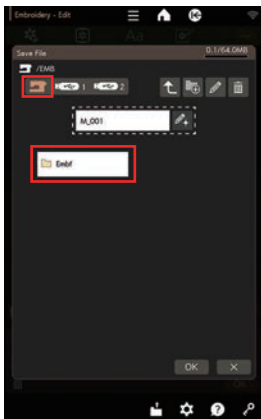
NOTE:

- The files and folders are displayed on different pages.
- USB flash drive capacity 64 GB and under is recommended for this sewing machine.
- This model supports FAT16 and FAT32 formats only. If the USB flash drive is not read, check its format (refer to pages 124-125).
- Do not use a USB card reader and USB hub.

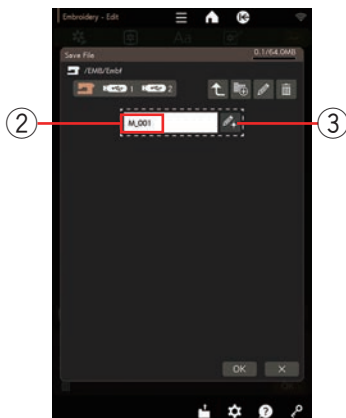
1



2

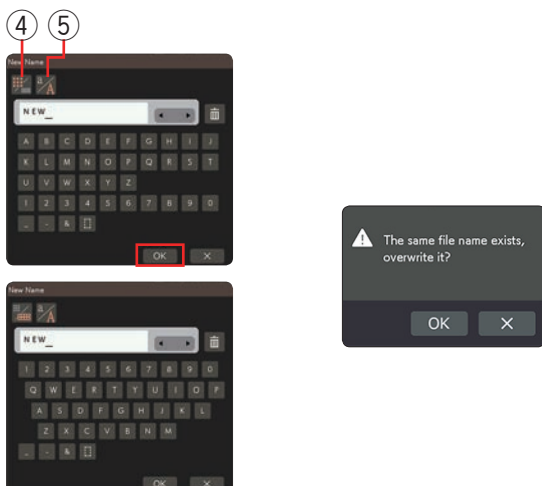


3



4

5



1 Press the save file key and the save file window will open.

① Save file key

2 A folder labeled “Emb” (embroidery mode) is displayed on the screen.

To select the folder, press the folder icon.

3 File names are assigned automatically in numerical order starting from M_001.....

Press the OK key and the file is saved in the selected folder.

To assign a particular name to the file, press the rename key.

② File name

③ Rename key

4 The keyboard window opens.

If you wish to use the QWERTY layout keyboard, press the keyboard key. Pressing the letter case key changes the letter case from upper case to lower case and vice versa.

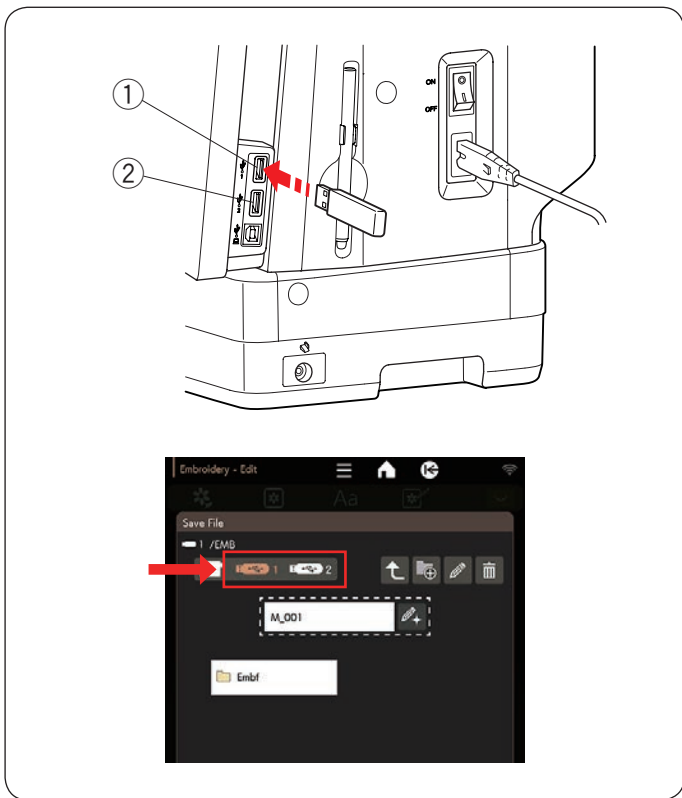
④ Keyboard key

⑤ Letter case key

5 Enter a new name and press the OK key.

The file is saved under the new name.

When you attempt to save a file with a name that already exists, the confirmation message will appear. Press the OK key to overwrite the existing file or press the X key if you do not want to overwrite it.



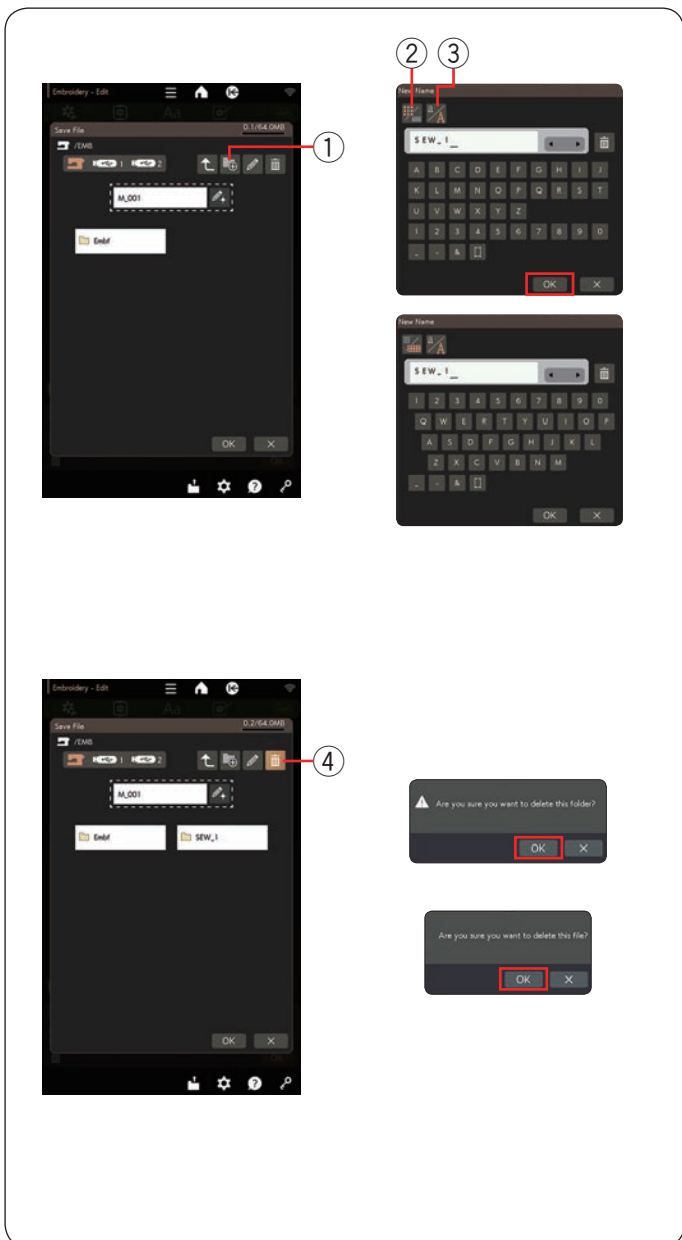
Saving a File on a USB Flash Drive

To save a file on a USB flash drive, insert a USB flash drive to USB port 1 or USB port 2.

- ① USB port 1
- ② USB port 2

On “Save File” window, select USB flash drive icon 1 or 2 that you inserted your USB flash drive to.

* Refer to the previous page “Saving a File” for saving a file.



Creating a New Folder

Press the new folder key and the keyboard window will open.

- ① New folder key

If you wish to use the QWERTY layout keyboard, press the keyboard key. Pressing the letter case key changes the letter case from upper case to lower case and vice versa.

- ② Keyboard key
- ③ Letter case key

Enter a folder name and press the OK key.

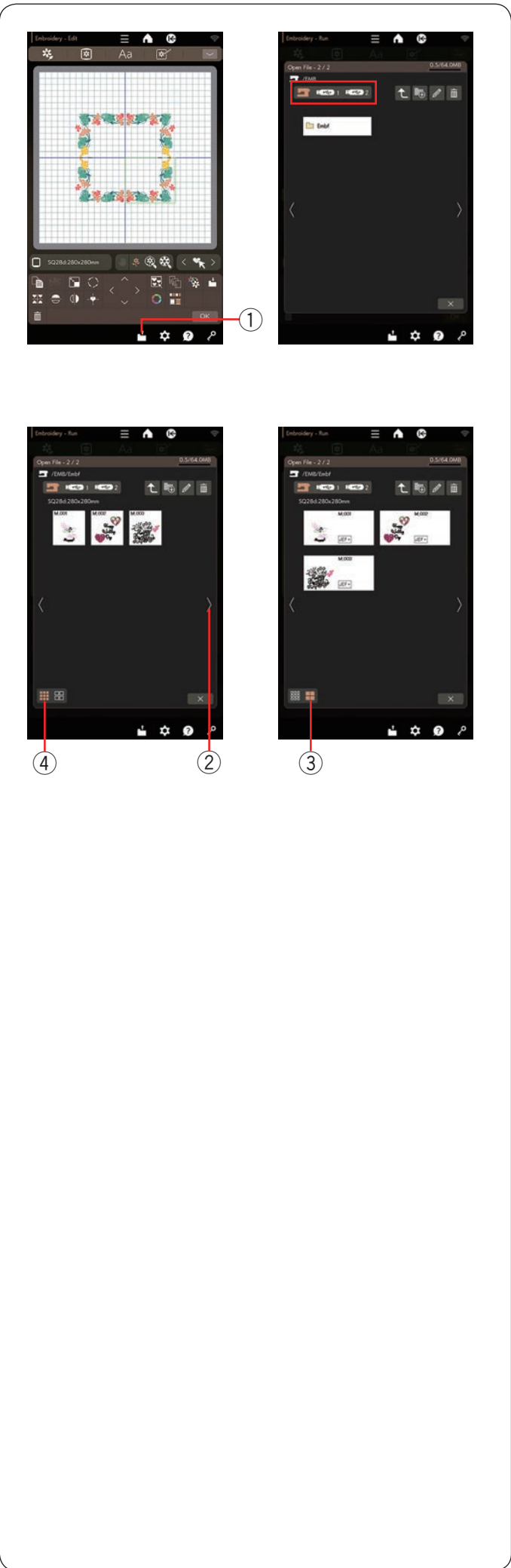
A new folder is created under the assigned name.

Deleting a File or Folder

Press the delete key and select the file or folder to delete. A confirmation message appears.

Press the OK key to delete the file or folder.

- ④ Delete key



Opening a File

You can open saved files, in the machine's internal memory or a USB flash drive.

Press the open file key and the open file window will open.

- ① Open file key

Select the folder location, either the built-in memory or USB flash drive.

Open the folder that contains the desired file by pressing the folder icon.

The file list of the selected folder is displayed.

To open the file, press the file icon.

Files are categorized in accordance with the hoop size. Press the next page key to turn the page.

- ② Next page key

In the embroidery mode, file attributes can be shown on the file icon.

To show the file attribute, press the "large icon" key.

- ③ Large icon key

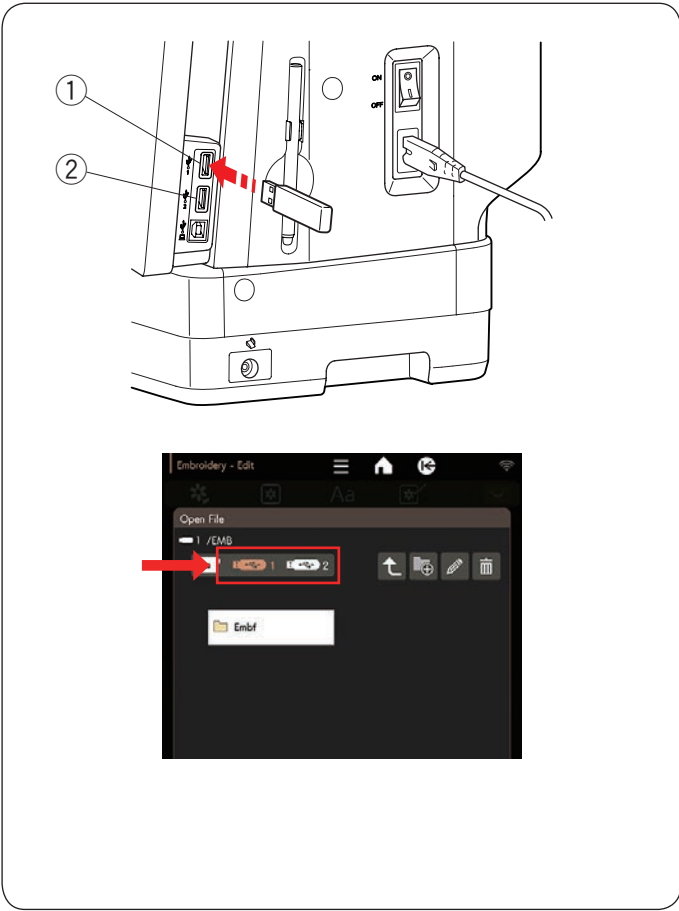
There are 6 file attributes as follows:

Attributes	Formats
JEF	*.JEF (Janome embroidery format)
JEF+	*.JEF+ (editable Janome embroidery format)
JPX	*.JPX (*.JEF+ with a background bitmap image)
JPX	*.JPX (Acufil embroidery format)
JPX	*.JPX (Cutwork embroidery format)
DST	*.DST (Tajima embroidery format)

To hide the file attribute, press the small icon key.

- ④ Small icon key

NOTE:
Tajima (*.DST) format does not have thread color information. Janome's thread color will be assigned automatically when opening.



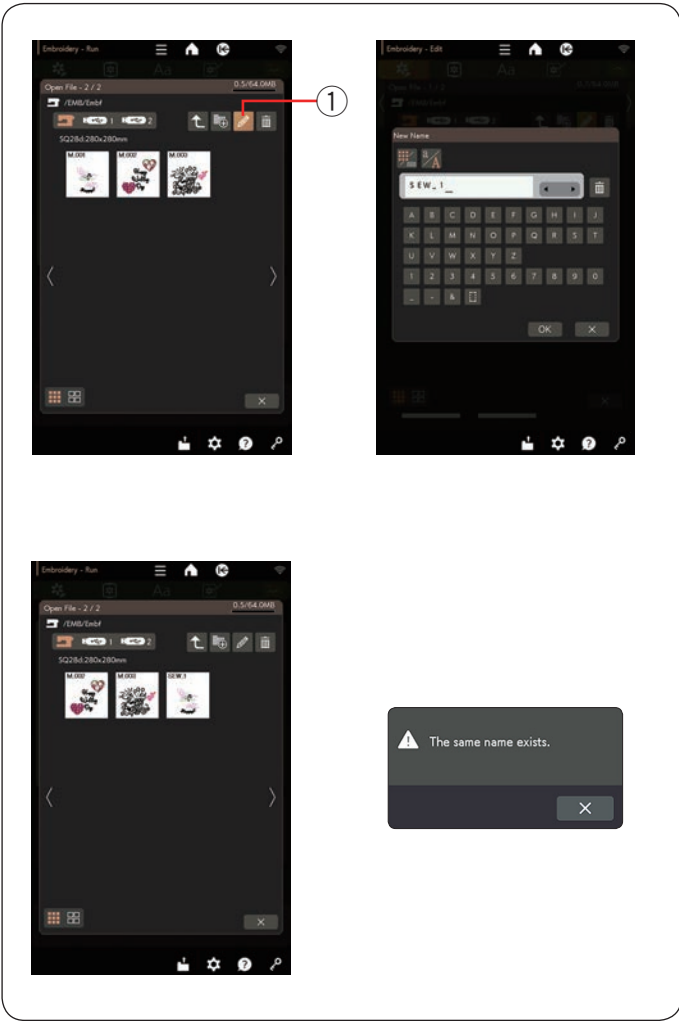
Opening a File on a USB Flash Drive

To open the embroidery data file on a USB flash drive, insert a USB flash drive to USB port 1 or USB port 2.

- ① USB port 1
- ② USB port 2

On “Open File” window, select USB flash drive icon 1 or 2 that you inserted your USB flash drive to.

* Refer to the previous page “Opening a File” for opening a file.



Changing the Name of a File or Folder

Press the rename key and select the file or folder for which you wish to change the name.

The keyboard window will open.

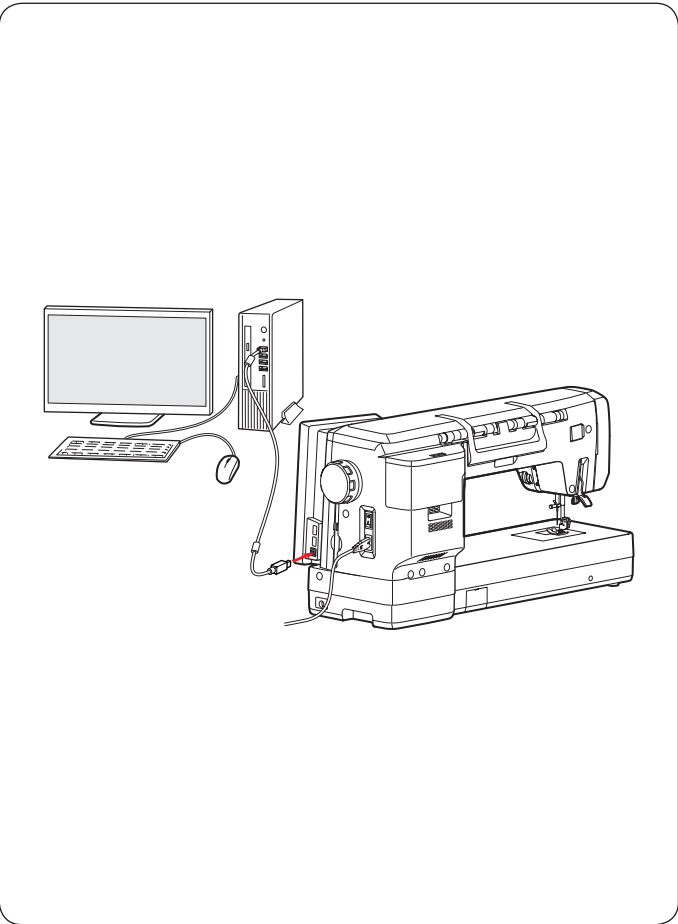
Enter a new name and press the OK key.

The name of the file or folder will change.

- ① Rename key

If you enter a name that already exists, the message “The same name exists.” will appear.

Press the X key and enter another name.



Direct PC / Mac-Link

You can connect the machine to your PC / Mac with the USB cable included in the standard accessories or wireless LAN. To connect the machine to your PC / Mac with the USB cable, you need to install Stitch Composer or Artistic Digitizer Jr. for the CM17 on your PC / Mac.

For more information, access the following URL.

URL: https://www.janome.co.jp/e/e_downloads/CM17_softwares.html

To import design patterns from your PC / Mac, refer to instructional movie “Export Design” in the Artistic Digitizer Jr. software.

To connect the machine to your PC / Mac with wireless LAN refer to page 105.

CAUTION:

- Make sure to use the USB cable that came with the machine.
- Do not turn the power off or disconnect the USB cable while the data transfer is in progress, as this will cause loss of data and can damage the machine's memory.

CARE AND MAINTENANCE

WARNING:

- Turn the power switch off and unplug the machine before cleaning.
- Do not dismantle the machine in any way other than as explained in this section.

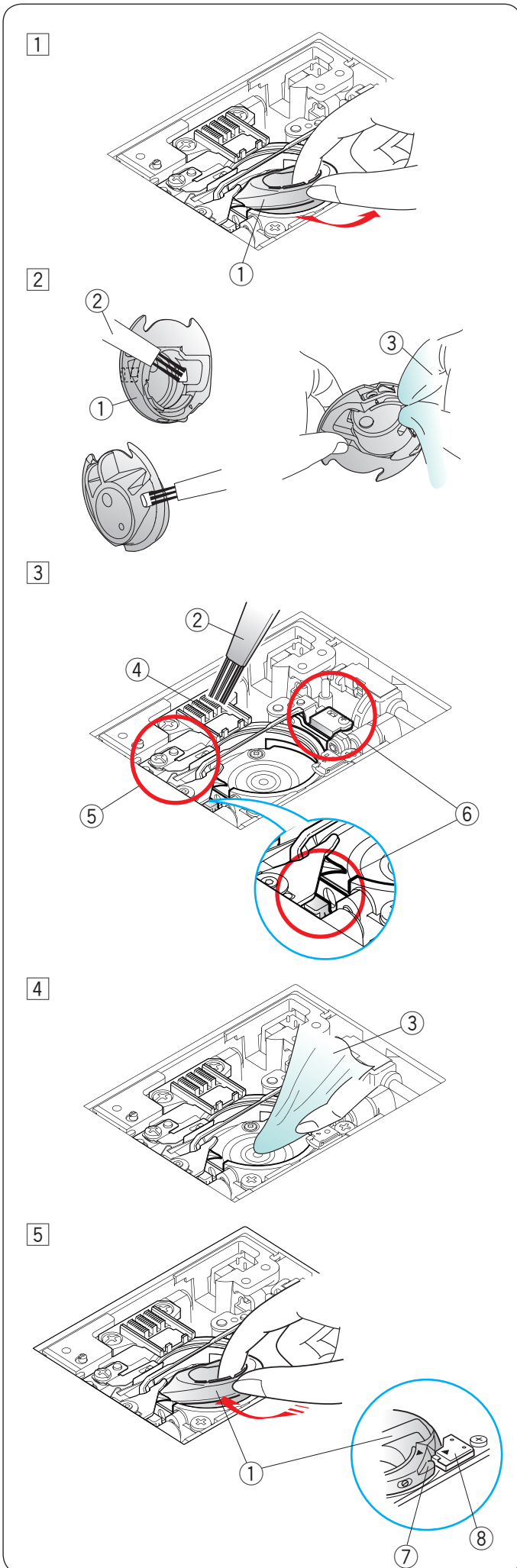
CAUTION:

- Do not store the machine in a high-humidity area, near a heat radiator, or in direct sunlight. Store the machine in cool dry place.
- Clean the outside of the machine with a soft cloth.
- Do not use chemical solvents.

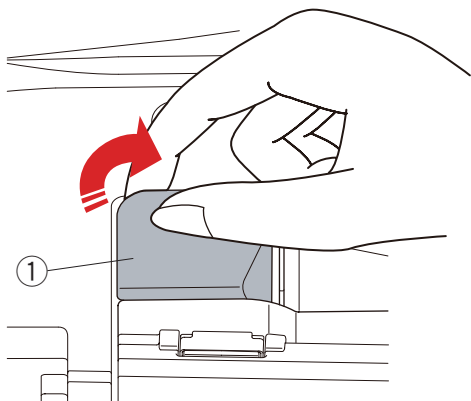
Cleaning the Hook Area

Clean the hook area frequently.

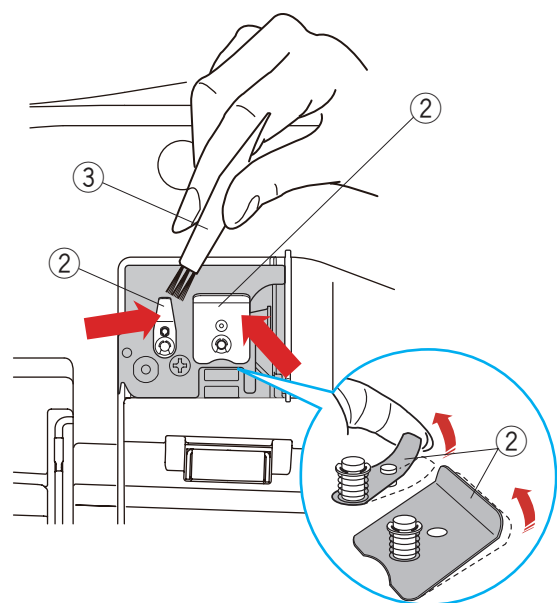
- 1 Remove the needle plate (refer to page 22).
Turn the power switch off and unplug the machine.
Remove the needle and foot holder (refer to pages 16 and 21).
Take out the bobbin and bobbin holder.
 - 1 Bobbin holder
- 2 Clean the bobbin holder with a lint brush.
Apply a few drops of the bobbin holder cleaner (included in the standard accessories) to a soft cloth and wipe the bobbin holder both inside and outside.
 - 2 Lint brush
 - 3 Soft cloth
- 3 Clean the feed dogs, auto thread cutter device and around the bobbin thread detecting sensor with the lint brush.
 - 4 Feed dogs
 - 5 Auto thread cutter device
 - 6 Bobbin thread detecting sensor
- 4 Clean the hook race with a soft cloth.
 - 3 Soft cloth
- 5 Insert the bobbin holder so that the knob fits next to the stopper in the hook race.
Attach the needle plate, presser foot and needle.
Insert the bobbin.
 - 7 Knob
 - 8 Stopper



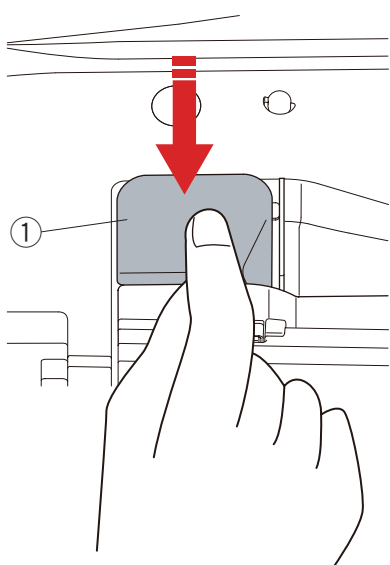
1



2



3



Cleaning the Inside of the Thread Guide

Clean the inside of the thread guide plate under the top cover at least once a month.

1 Remove the needle thread and remove the thread guide plate by pulling it up.

① Thread guide plate

2 Clean the area around and under the pre-tension leaf with the lint brush.

* Hold the tip of the pre-tension leaf softly and brush out the dust.

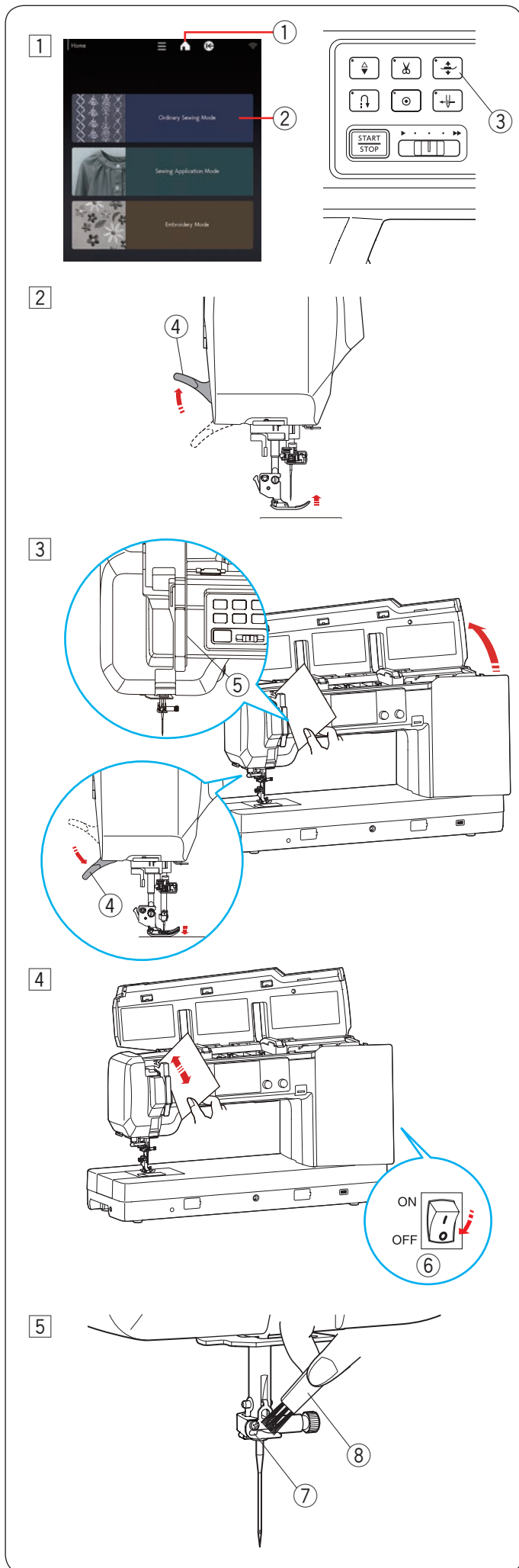
② Pre-tension leaf

③ Lint brush

3 Set the thread guide plate on the machine.

Push the thread guide plate down to snap it in place.

① Thread guide plate



Cleaning the Thread Path

Clean lint and wax in the tension area with a piece of paper.

Select the ordinary sewing mode for cleaning the thread path.

- 1 Press the home key to open the home window.
On the home window, press the Ordinary Sewing Mode key to open the ordinary sewing mode.
Press the presser foot lifter button to lower the presser foot.
 - 1 Home key
 - 2 Ordinary Sewing Mode key
 - 3 Presser foot lifter button

- 2 Raise the presser foot with the presser foot lifter.
 - 4 Presser foot lifter

- 3 Insert a piece of paper along the right channel and lower the presser foot with the presser foot lifter.
 - 4 Presser foot lifter
 - 5 Right channel

- 4 Turn the power switch off.
Scrape out the lint with the paper.
 - 6 Power switch

- 5 Clean the needle bar thread guide with the lint brush.
 - 7 Needle bar thread guide
 - 8 Lint brush

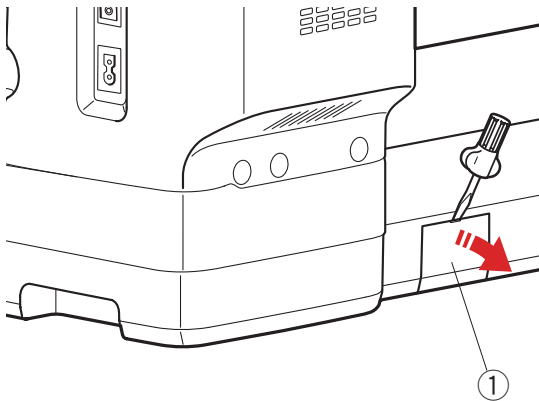
Replacing the Coin Cell Battery for the Internal Clock

If the clock on the right touch screen always indicates “0:00” when turning the power switch on, replace the coin cell battery in the sewing machine.

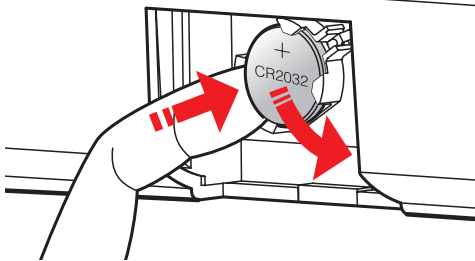
WARNING:

- Battery may explode if mistreated.
Do not recharge, disassemble or dispose of by fire.
- Turn off the power switch before replacing the battery.
- Replace the battery with “CR2032” type only.
Use of another may present a risk of fire or explosion.
- Chemical Burn Hazard. Keep the battery away from children.
- The batteries must be disposed of properly.

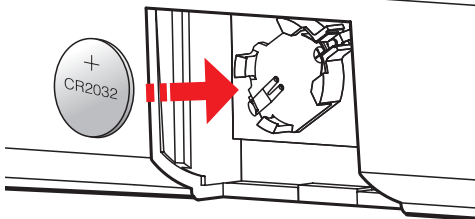
1



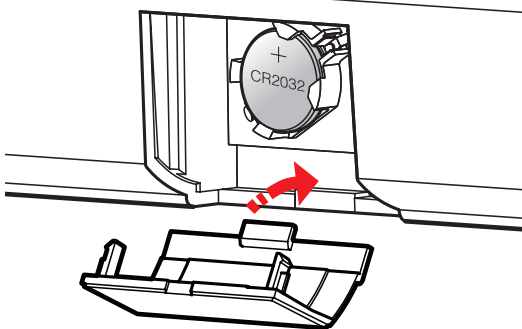
2



3



4



1 Remove the battery cover with a screwdriver.

① Battery cover

2 Remove the coin cell battery.

3 Install the “CR2032” battery with the “+” mark facing up.

4 Attach the battery cover.

Set the clock again after replacing the battery (refer to page 98).

Replacing the Needle Plate Emergency Procedure

CAUTION:

Never turn the needle plate release dial while running the machine.

If the needle plate will not automatically snap off when pressing the needle plate release key on the lockout screen, you can replace the needle plate using the needle plate release dial.

① Needle plate release key

① Raise the needle by turning the handwheel toward you.

Press the presser foot lifter button to raise the presser foot.

② Handwheel

③ Presser foot lifter button

② Remove the needle plate release dial cap with a screwdriver.

④ Needle plate release dial cap

③ Push and turn the needle plate release dial clockwise with the screwdriver to remove the needle plate.

⑤ Needle plate release dial

④ A warning message will appear that the needle plate is not secured.

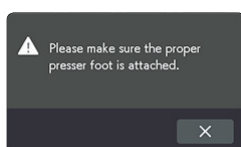
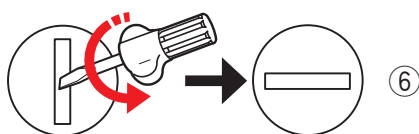
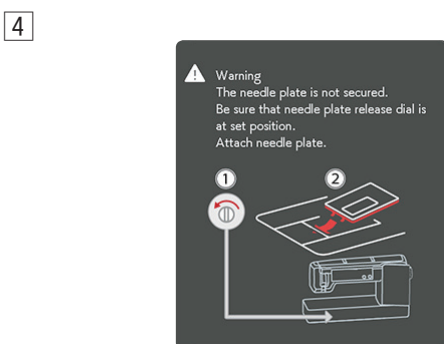
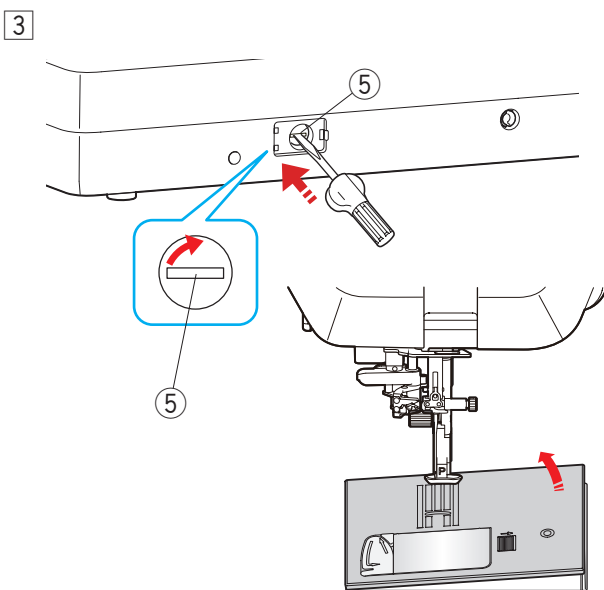
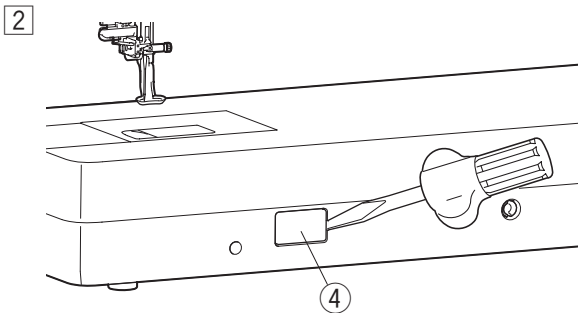
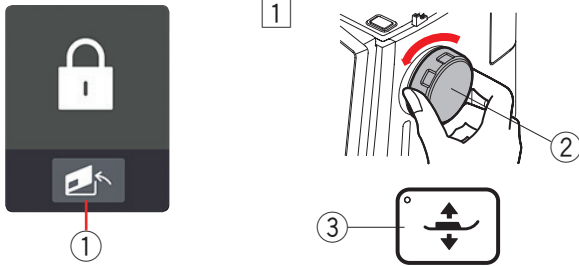
Turn the needle plate release dial counterclockwise with the screwdriver to be at set position.

Attach the needle plate.

⑥ Set position

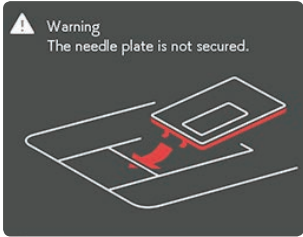

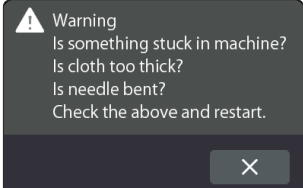
NOTE:

In the ordinary and sewing application mode, a message will appear when attaching a needle plate. Press the X key after attaching the proper presser foot.




Problems and Warning Signals (Embroidery)

If a buzzer sounds and the right touch screen shows a warning sign, follow the guidance below.

Warning Sign	Cause	Try this
 <p>Warning The needle plate is not secured.</p>	<p>The needle plate is removed.</p> <p>The needle plate is not properly attached to the set position.</p>	<p>Attach the needle plate. Check if the needle plate is attached properly.</p> <p>Press down the needle plate with your finger to snap it into the set position.</p>
 <p>Warning The needle plate is not secured. Be sure that needle plate release dial is at set position. Attach needle plate.</p>	<p>The needle plate is removed with the needle plate release dial.</p>	<p>Turn the needle plate release dial at set position. Attach the needle plate.</p>
 <p>Warning Is something stuck in machine? Is cloth too thick? Is needle bent? Check the above and restart.</p>	<p>The machine stops due to overload.</p>	<p>Wait for at least 15 seconds to restart. Remove tangled threads around take-up lever, hook race and automatic thread cutting mechanism.</p>

Troubleshooting (Embroidery)

Problem	Cause	Reference
The machine is noisy.	<ol style="list-style-type: none"> 1. Thread is jammed in the hook area. 2. The feed dogs are packed with lint. 	<p>Page 115. Page 115.</p>
The needle thread breaks.	<ol style="list-style-type: none"> 1. The needle thread is not threaded properly. 2. The needle thread tension is too tight. 3. The needle is bent or blunt. 4. The needle is inserted incorrectly. 5. The thread is too heavy for the needle. 6. The needle thread was not set in the thread holder when embroidery sewing started. 	<p>Pages 27-28. Page 53. Page 21. Page 21. Page 21. Page 40.</p>
The bobbin thread breaks.	<ol style="list-style-type: none"> 1. The bobbin thread is not threaded properly in the bobbin holder. 2. Lint has collected in the bobbin holder. 3. The bobbin is damaged and does not turn smoothly. 	<p>Page 26. Page 115. Replace the bobbin.</p>
The needle breaks.	<ol style="list-style-type: none"> 1. The needle is inserted incorrectly. 2. The needle is bent or blunt. 3. The needle clamp screw is loose. 4. The needle thread tension is too tight. 5. The needle is too fine for the fabric being sewn. 	<p>Page 21. Page 21. Page 21. Page 53. Page 21.</p>
Visual touch screen is not clear.	<ol style="list-style-type: none"> 1. The brightness of the visual touch screen is not adjusted properly. 	<p>Page 98.</p>
Skipped stitches.	<ol style="list-style-type: none"> 1. The needle is inserted incorrectly. 2. The needle is bent or blunt. 3. The needle and/or threads are not suitable for the fabric being sewn. 4. A blue tip needle is not being used for sewing stretch, very fine or synthetic fabrics. 5. The needle thread is not threaded properly. 6. The needle is defective (rusted, burr on needle eye or tip). 7. The embroidery hoop is not set properly. 8. The fabric is not stretched tightly enough on the embroidery hoop. 9. A purple needle is not being used for sewing thick fabrics, denims and across the hem. 	<p>Page 21. Page 21. Page 21. Page 21. Pages 27-28. Change the needle. Page 40. Pages 38-39. Page 21.</p>
Seam puckering.	<ol style="list-style-type: none"> 1. The needle tension is too tight. 2. The needle thread or the bobbin thread is not threaded correctly. 3. The needle is too heavy for the fabric being sewn. 4. The fabric is not stretched tightly enough on the embroidery hoop. 5. A stabilizer is not attached to the back of the fabric for dense embroidery pattern designs. 	<p>Page 53. Pages 26-28. Page 21. Pages 38-39. Page 36.</p>
The machine does not run.	<ol style="list-style-type: none"> 1. The machine is not plugged in. 2. A thread is caught in the hook race. 3. The foot control is plugged in for sewing embroidery. 	<p>Page 9. Page 115. Unplug the foot control and use start/stop button.</p>

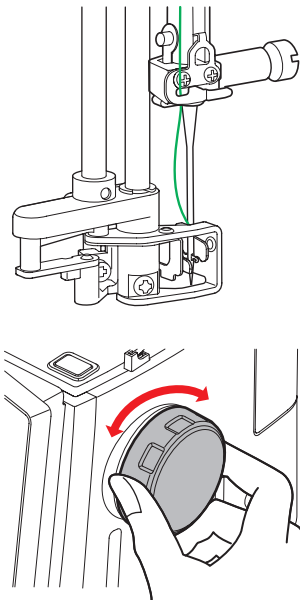
Problem	Cause	Reference
A crunching sound occurs when running the machine.	<ol style="list-style-type: none"> 1. Something is caught between the carriage and the arm. 2. The carriage is hitting something around the machine. 	Remove the object. Page 31.
The embroidery patterns are distorted.	<ol style="list-style-type: none"> 1. The needle thread tension is too loose. 2. Interfacing is not used for sewing stretch and very fine fabrics. 3. The embroidery hoop is hitting something around the machine. 4. The fabric is not stretched tightly enough on the embroidery hoop. 5. The fabric is caught or trapped when sewing embroidery. 6. The embroidery foot is caught by a jump thread. 7. The embroidery foot catches on a clump of embroidery threads. 	Page 53. Use interfacing. Page 31. Pages 38-39. Stop the machine and free the fabric. Trim the jump thread. Adjust the foot height (Page 53).
Pattern selection keys do not work.	<ol style="list-style-type: none"> 1. The electronic control circuit is not working correctly. 	Turn off and then turn on the machine.
Threads frequently bunch up on the underside of the stippling design pattern.	<ol style="list-style-type: none"> 1. The minimum length of jump thread cutting is too short. 	Page 102.
The automatic needle threader does not return to up position.	<ol style="list-style-type: none"> 1. The automatic needle threader is not working correctly. 	Page 123.
The machine cannot connect to the wireless LAN access point.	<ol style="list-style-type: none"> 1. The wireless router device does not comply with IEEE802.11b/g/n wireless standard. 2. The wireless router device using WEP security, and encryption type or/and key index is not set correctly. 	Page 105. Page 105.
The machine's wireless LAN connection is unstable.	<ol style="list-style-type: none"> 1. The wireless router device's DHCP option is not turned on. 2. A microwave oven, Bluetooth device or cordless phone is being used between the machine and the access point. 	Page 108. Page 105.
Wireless LAN connection ON/OFF keys are grayed out on the wireless LAN setting mode.	<ol style="list-style-type: none"> 1. The wireless LAN setting mode is selected too soon after the machine is turned on. 2. The electrical circuit does not work properly. 	Wait for a while before entering the wireless LAN setting mode. Turn off and then turn on the machine.
The wireless LAN setting has been set, but the signal strength icon is grayed out  on the upper right corner of the right touch screen and the machine can not connect to the wireless LAN.	<ol style="list-style-type: none"> 1. The wireless LAN setting was not completed correctly. 2. The electrical circuit does not work properly. 	Complete the wireless LAN setting correctly (refer to pages 105-108). Turn off and then turn on the machine.
The USB flash drive is not read.	<ol style="list-style-type: none"> 1. Format setting of the USB flash drive is not correct. 2. The USB flash drive is malfunctioning. 	Pages 124-125. Replace the USB flash drive.

Troubleshooting (Automatic Needle Threader)

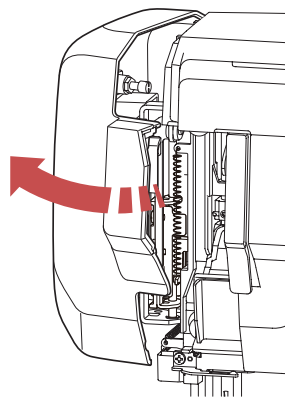
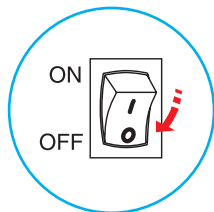
If the automatic needle threader is stuck and will not return to the up position automatically, correct it as follows:

Carefully turn the handwheel away from you or toward you to move the needle up a little. The automatic needle threader will return to the up position automatically.

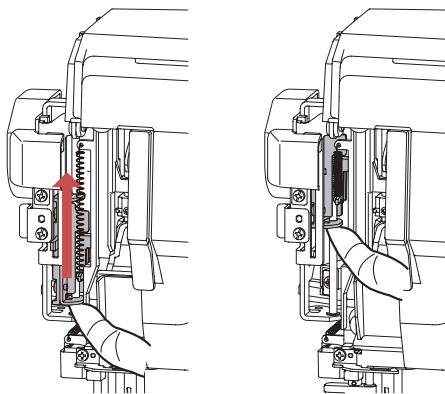
If the automatic needle threader still does not return to the up position, follow the steps below.



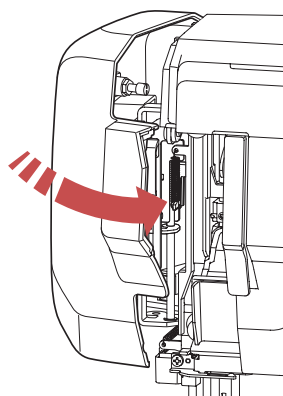
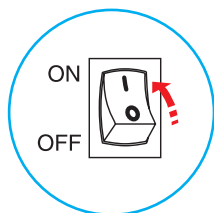
1



2



3



- 1 Turn the power switch off.
Open the face plate.

- 2 Lift the shaft plate with your finger as far as it goes.

- 3 Close the face plate.
Turn the power switch on.

Formatting USB Flash Drives

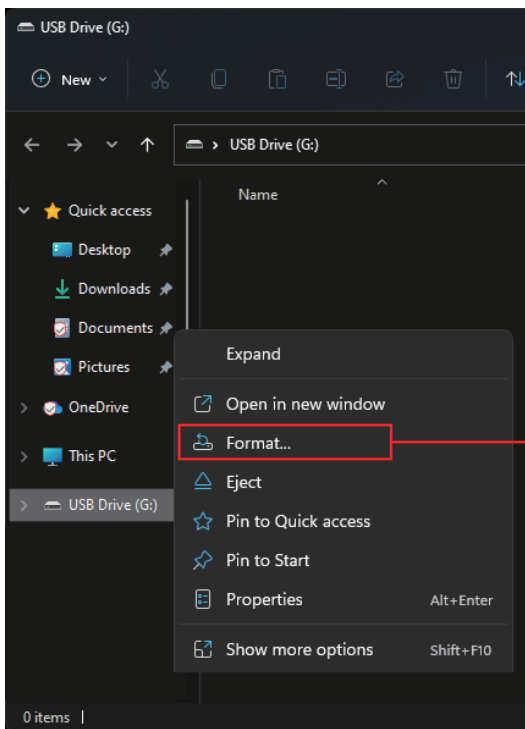
NOTE:

Formatting of USB flash drive must be carried out on a personal computer using Microsoft Windows*.

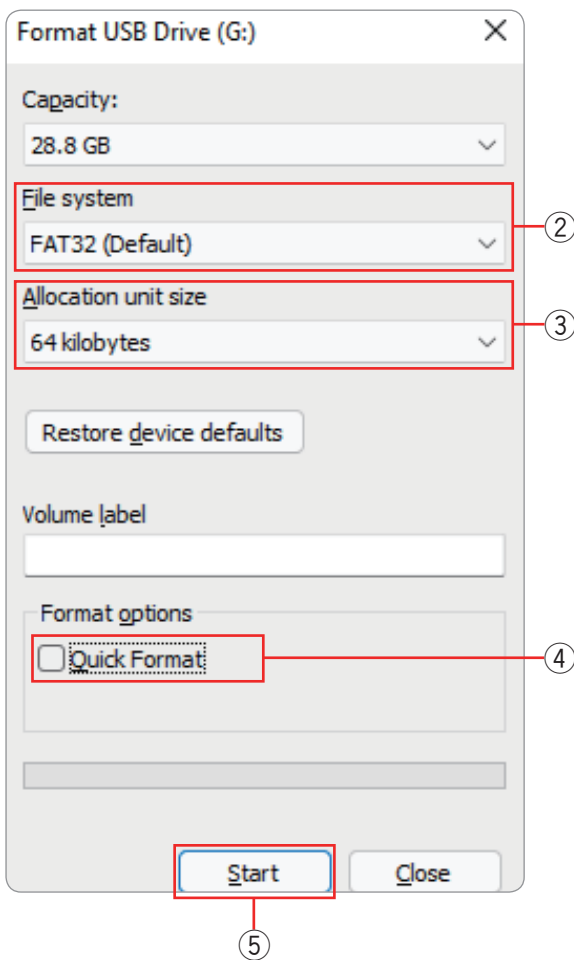
For Windows 11 and 10 users, screen shot samples using Windows 11 are shown.

- 1 Using File Explorer, right click on the USB flash drive. Click format.

- 1 Format



- 2
- 3
- 4



- 2 Format dialogue will be displayed. Select FAT16 or FAT32 from file system.

- 2 File system

NOTE:

If FAT16 or FAT32 cannot be selected, use other PC. Do not use Windows 8.1 for formatting. Or use other USB flash drive which can be read.

- 3 From allocation unit size, select a size of 64 kilobytes or less.

- 3 Allocation unit size

NOTE:

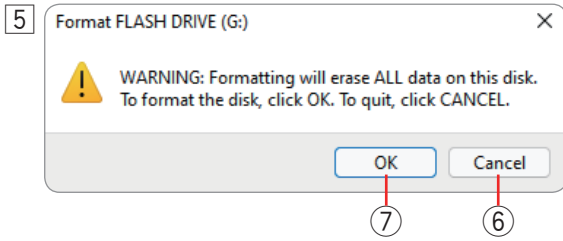
Do not check the quick Format.

- 4 Quick Format

- 4 Click the start key.

- 5 Start key

* Windows is a registered trademark of Microsoft Corporation.



- 5 After the start key is clicked, the confirmation message will be displayed.

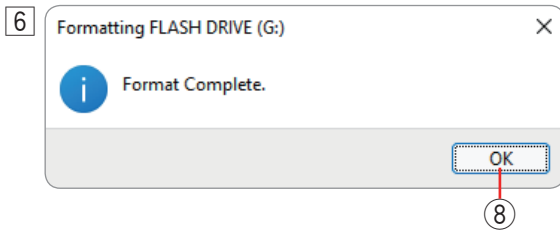
NOTE:

If there is any important data remaining on the USB flash drive, click the cancel key. After saving the data elsewhere, begin the process again from 1.

- 6 Cancel key

Click the OK key to begin formatting.

- 7 OK key



- 6 A message will be displayed when the formatting is complete.

Click the OK key.

- 8 OK key

DESIGN CHART

Pattern images are not to scale.

Embroidery

Noriko Nozawa © N. NOZAWA



(RE46d)

Nicola Elliott © Nicola Elliott



(SQ28d)

Nina Matsumoto © Nina. Matsumoto



(RE20d)

(SQ28d)



(RE46d)

GANAHA Collections © Y. GANAHA



(RE20d)



(SQ28d)

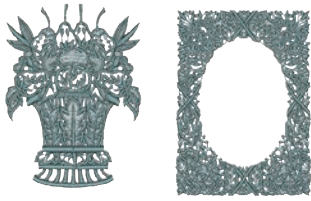
DESIGN CHART
Embroidery

Pattern images are not to scale.

GANAHA by White Embroidery Designs © Y. GANAHA



(RE20d)



(SQ28d)



(SQ10d)

Dressmaking Designs



(SQ28d)



(RE46d)

Buttonhole Patterns



(SQ10d)

DESIGN CHART

Embroidery

Pattern images are not to scale.

Buttonhole Decorations



(SQ10d)

World Designs



(RE20d)



(SQ28d)



(RE46d)



(SQ10d)

Combination Designs



(RE20d)

DESIGN CHART

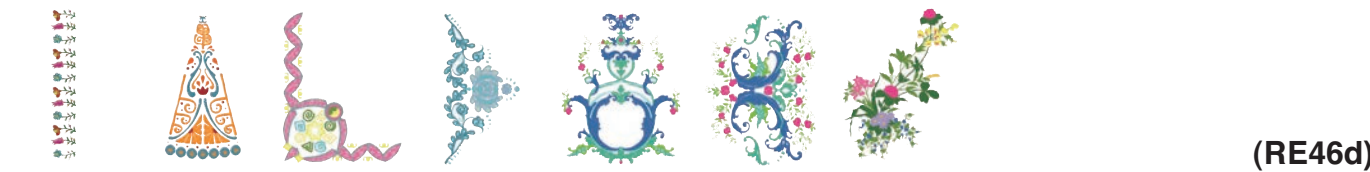
Embroidery

Pattern images are not to scale.

Combination Designs



(SQ28d)

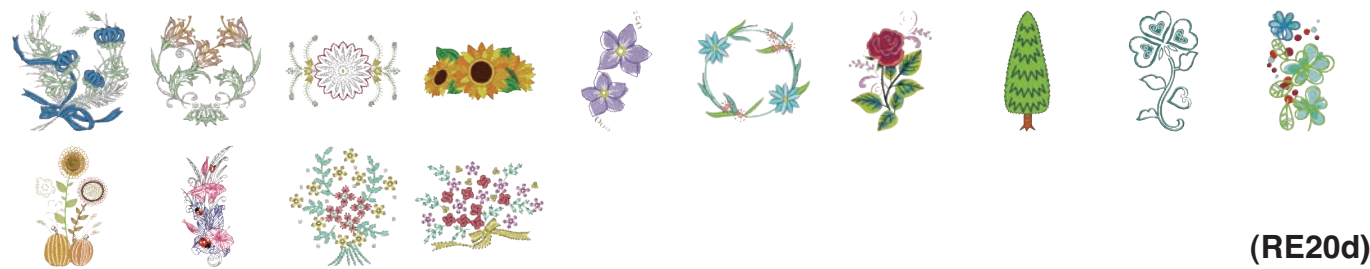


(RE46d)



(SQ10d)

Floral and Garden Designs



(RE20d)



(SQ28d)

DESIGN CHART

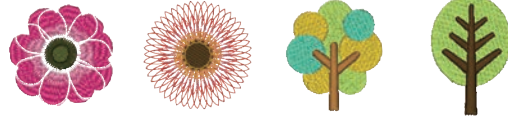
Embroidery

Pattern images are not to scale.

Floral and Garden Designs



(RE46d)



(SQ10d)

Favorite Designs



(RE20d)



(SQ28d)



(SQ10d)



Baby & Children Designs



(RE20d)



(SQ28d)



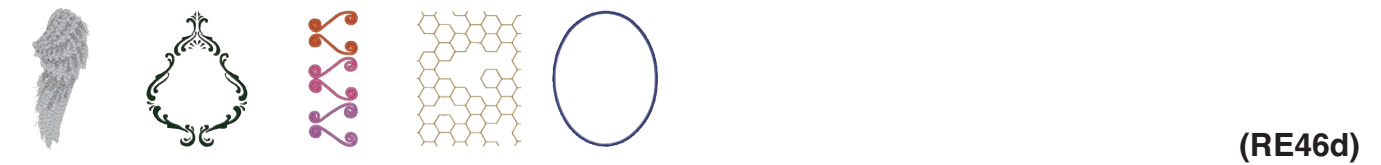
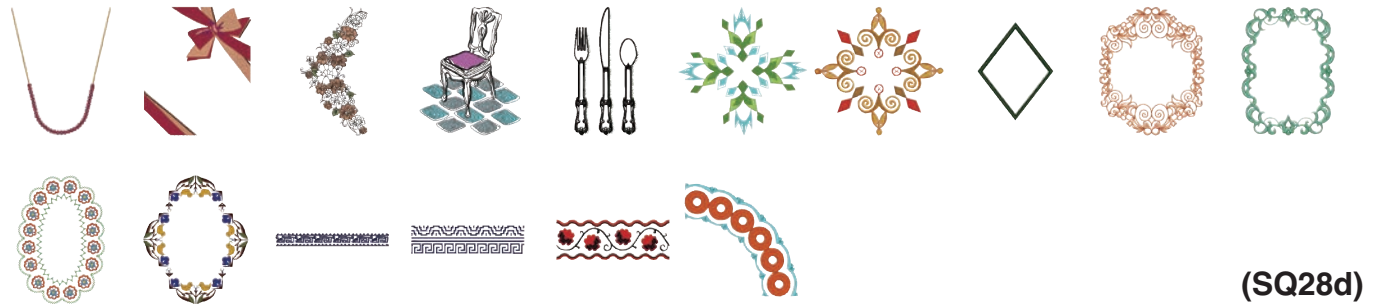
(SQ10d)

DESIGN CHART

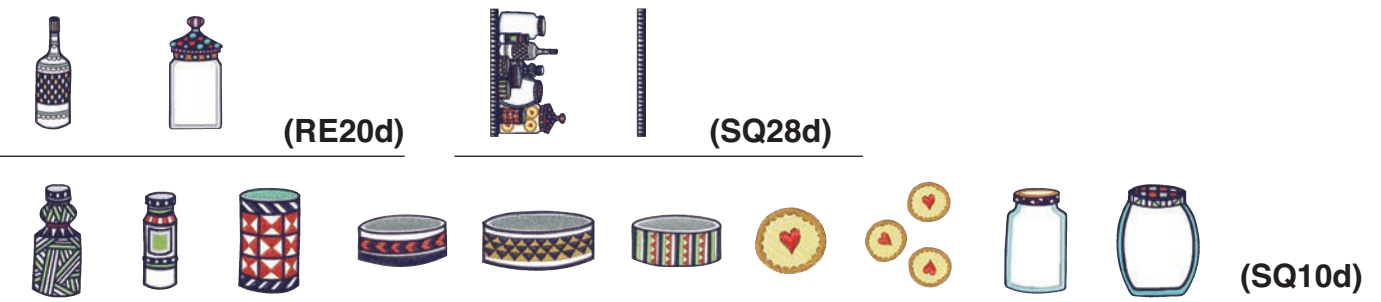
Embroidery

Pattern images are not to scale.

Decorative Designs



Pantry Designs



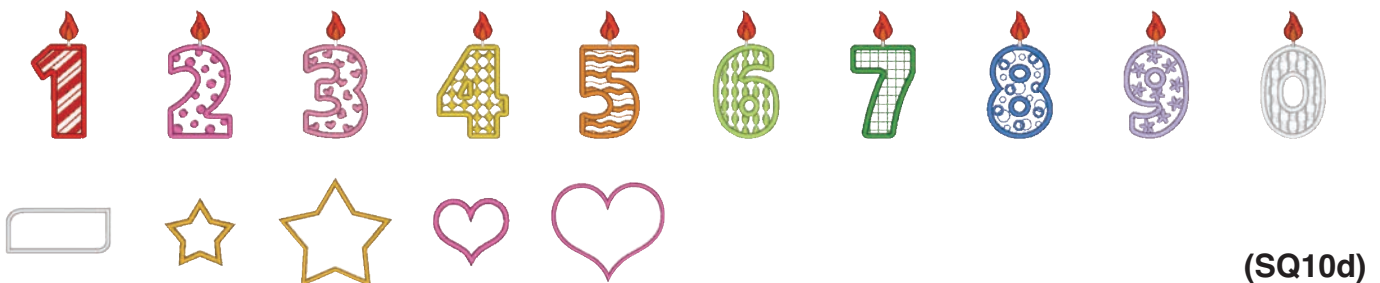
DESIGN CHART
Embroidery

Pattern images are not to scale.

Seasons and Special Occasions Designs <Wedding>



Seasons and Special Occasions Designs <Birthday>



Seasons and Special Occasions Designs <Christmas>



DESIGN CHART

Embroidery

Pattern images are not to scale.

Seasons and Special Occasions Designs <Others>



(RE20d)



(SQ28d)



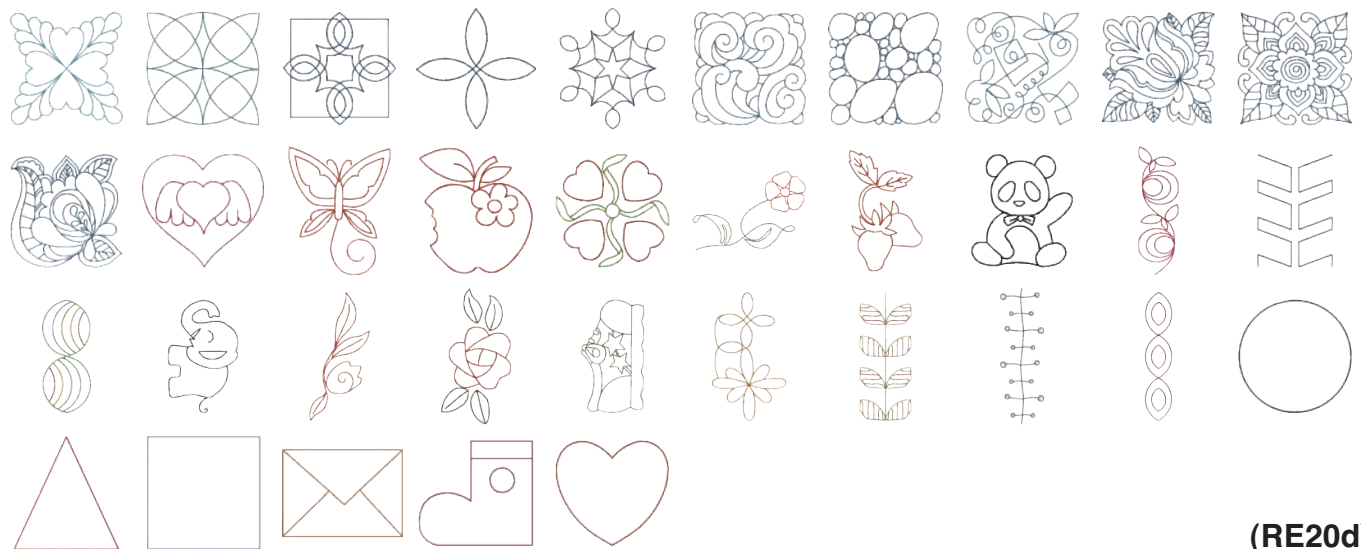
(SQ10d)

In-The-Hoop Designs



(RE46d)

Quilting Designs



(RE20d)



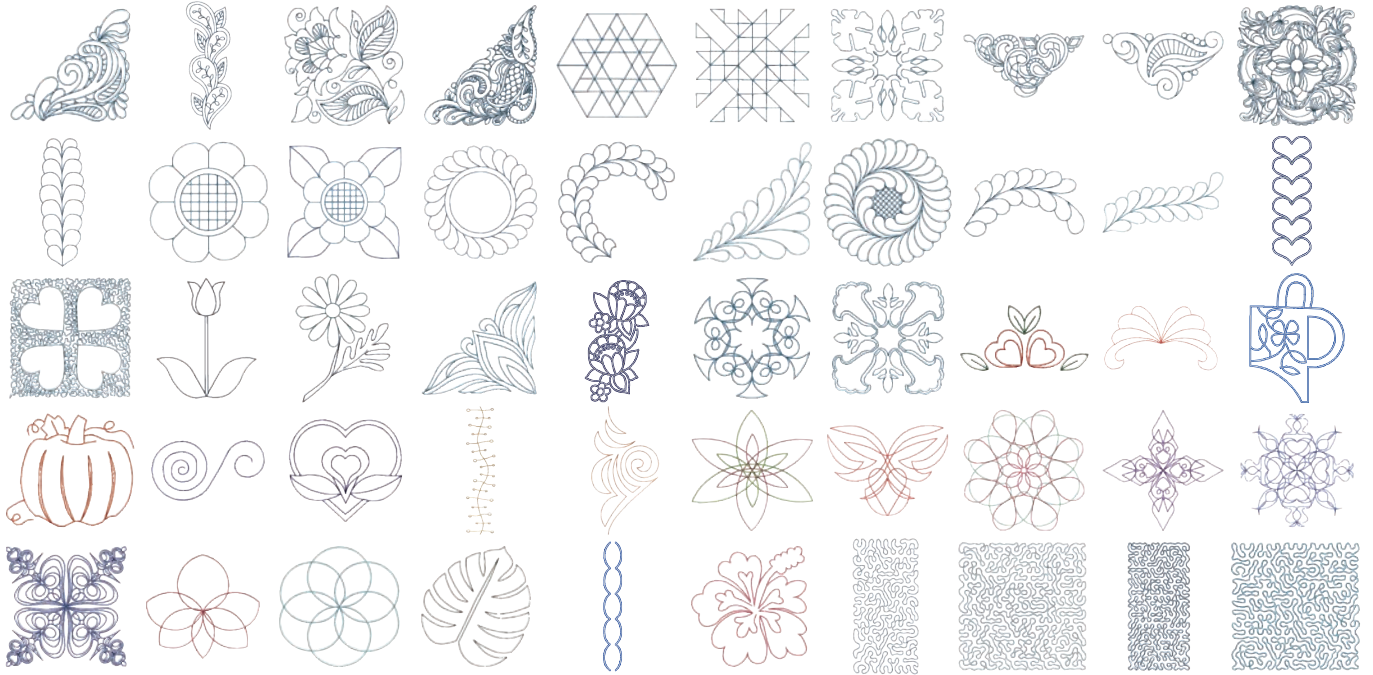
(SQ10d)

DESIGN CHART

Embroidery

Pattern images are not to scale.

Quilting Designs



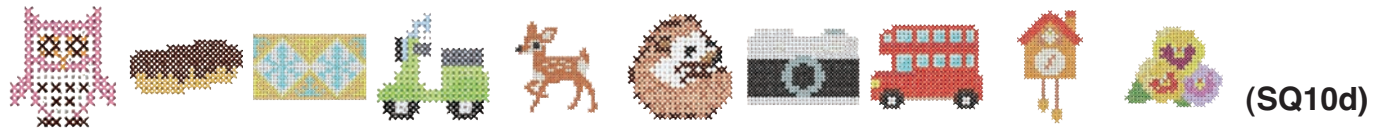
(ASQ27d)

Cross-stitch designs



(RE20d)

(SQ28d)



(SQ10d)

Embroidery Lace Designs

Designs for water soluble stabilizer



(SQ28d)



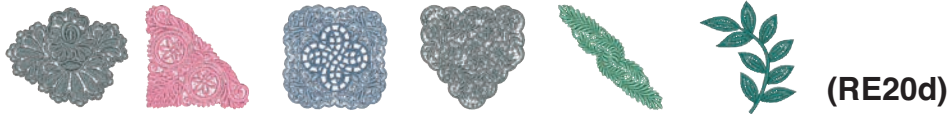
(SQ10d)

DESIGN CHART

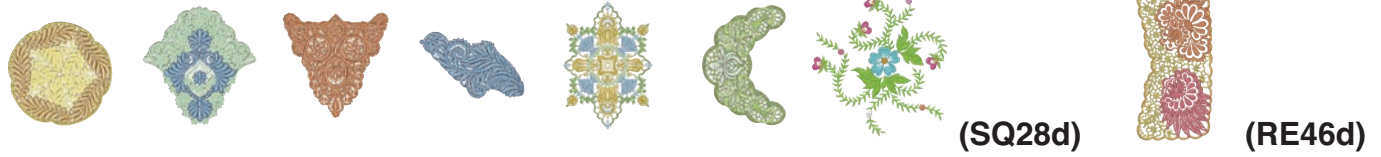
Embroidery

Pattern images are not to scale.

Embroidery Lace Designs Designs for fabric



(RE20d)



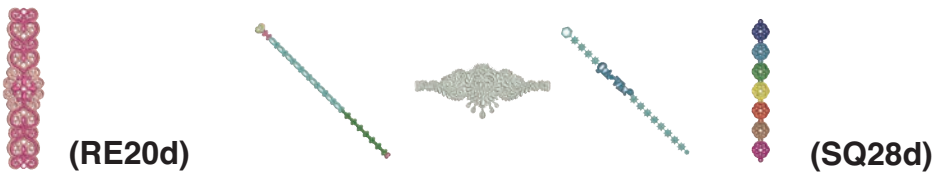
(SQ28d)

(RE46d)



(SQ10d)

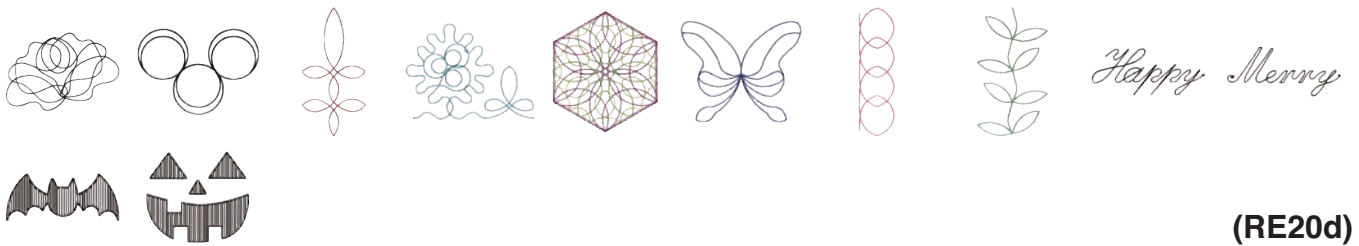
Bracelet Designs



(RE20d)

(SQ28d)

Couching Designs



(RE20d)



(SQ28d)



(SQ10d)

Fringe Designs



(RE20d)

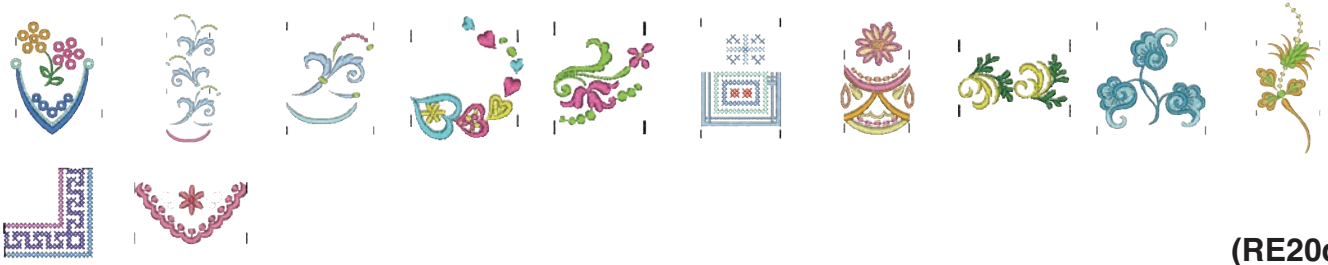
(SQ10d)

DESIGN CHART

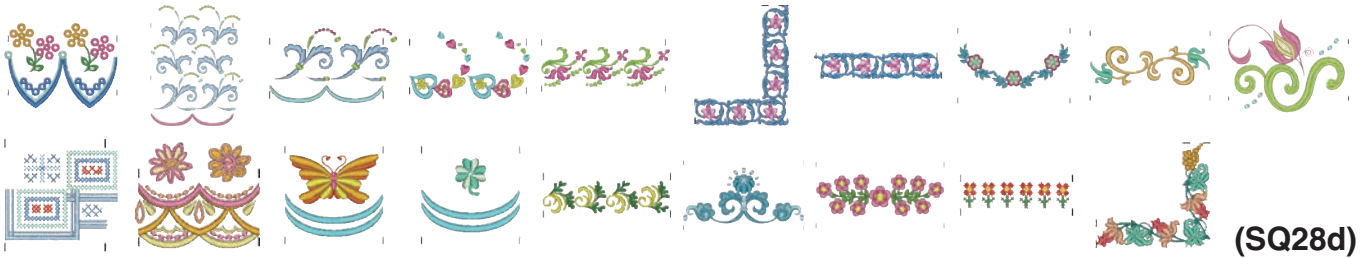
Embroidery

Pattern images are not to scale.

Border Designs

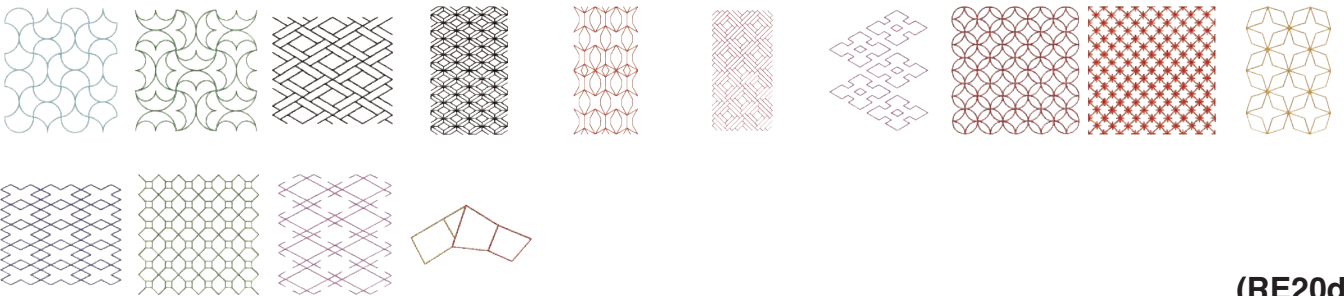


(RE20d)

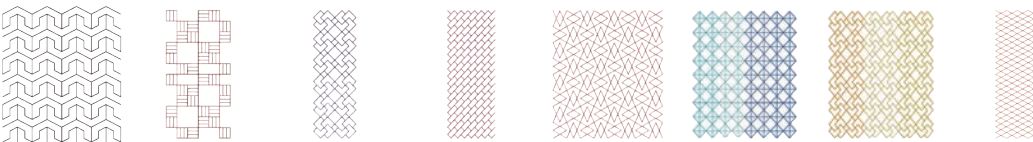


(SQ28d)

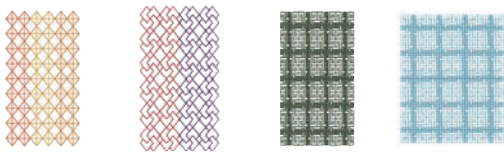
Sashiko Designs



(RE20d)



(SQ28d)



(RE46d)



(SQ10d)

DESIGN CHART
Embroidery

Pattern images are not to scale.

Monochrome Designs



Word Designs



DESIGN CHART
Embroidery

Pattern images are not to scale.

Alphabet Designs <Flourish>



Alphabet Designs <Cross Stitch>



Alphabet Designs <Hana>



DESIGN CHART
Embroidery

Pattern images are not to scale.

Alphabet Designs <Motif>



(SQ10d)

Alphabet Designs <Floral>



(SQ10d)

Alphabet Designs <Curly>



(SQ28d)

Alphabet Designs <American Applique>



(RE20d)

Calibration Pattern



(SQ10d)

DESIGN CHART

Embroidery Monogram

Gothic

A B C D E F G H I J K L M N
 O P Q R S T U V W X Y Z . □ ▣
 a b c d e f g h i j k l m n
 o p q r s t u v w x y z . □ ▣
 1 2 3 4 5 6 7 8 9 0 & _ \$ @ .
 . , ? ! ' ' < > () - + =
 / // % ~ :

À Á Â Ã Ä Å Æ Ç È É Ê Ë Ì Í Î
 Ī Ñ Ò Ó Ô Õ Ö Ø Ù Ú Û Ü ß à á
 ċ ĕ ğ ħ ĩ ĵ Ĺ Ń Ņ Œ Š Š Š Ÿ Ž Ž
 Ž

à á â ã ä å æ ç è é ê ë ì í î
 ĩ ñ ò ó ô õ ö ø ù ú û ü ß a á
 ċ ĕ ğ ħ ĩ ĵ Ĺ Ń Ņ Œ š š š Ÿ ž ž
 ž

Script

A B C D E F G H I J K L M N
 O P Q R S T U V W X Y Z . □ ▣
 a b c d e f g h i j k l m n
 o p q r s t u v w x y z . □ ▣
 1 2 3 4 5 6 7 8 9 0 & _ \$ @ .
 . , ? ! ' ' < > () - + =
 / // % ~ :

À Á Â Ã Ä Å Æ Ç È É Ê Ë Ì Í Î
 Ī Ñ Ò Ó Ô Õ Ö Ø Ù Ú Û Ü ß à á
 ċ ĕ ğ ħ ĩ ĵ Ĺ Ń Ņ Œ Š Š Š Ÿ Ž Ž
 Ž

à á â ã ä å æ ç è é ê ë ì í î
 ĩ ñ ò ó ô õ ö ø ù ú û ü ß a á
 ċ ĕ ğ ħ ĩ ĵ Ĺ Ń Ņ Œ š š š Ÿ ž ž
 ž

Cheltenham

A B C D E F G H I J K L M N
 O P Q R S T U V W X Y Z . □ ▣
 a b c d e f g h i j k l m n
 o p q r s t u v w x y z . □ ▣
 1 2 3 4 5 6 7 8 9 0 & _ \$ @ .
 . , ? ! ' ' < > () - + =
 / // % ~ :

À Á Â Ã Ä Å Æ Ç È É Ê Ë Ì Í Î
 Ī Ñ Ò Ó Ô Õ Ö Ø Ù Ú Û Ü ß à á
 ċ ĕ ğ ħ ĩ ĵ Ĺ Ń Ņ Œ Š Š Š Ÿ Ž Ž
 Ž

à á â ã ä å æ ç è é ê ë ì í î
 ĩ ñ ò ó ô õ ö ø ù ú û ü ß a á
 ċ ĕ ğ ħ ĩ ĵ Ĺ Ń Ņ Œ š š š Ÿ ž ž
 ž

Bauhaus

A B C D E F G H I J K L M N
 O P Q R S T U V W X Y Z . □ ▣
 a b c d e f g h i j k l m n
 o p q r s t u v w x y z . □ ▣
 1 2 3 4 5 6 7 8 9 0 & _ \$ @ .
 . , ? ! ' ' < > () - + =
 / // % ~ :

À Á Â Ã Ä Å Æ Ç È É Ê Ë Ì Í Î
 Ī Ñ Ò Ó Ô Õ Ö Ø Ù Ú Û Ü ß à á
 ċ ĕ ğ ħ ĩ ĵ Ĺ Ń Ņ Œ Š Š Š Ÿ Ž Ž
 Ž

à á â ã ä å æ ç è é ê ë ì í î
 ĩ ñ ò ó ô õ ö ø ù ú û ü ß a á
 ċ ĕ ğ ħ ĩ ĵ Ĺ Ń Ņ Œ š š š Ÿ ž ž
 ž

Galant

A B C D E F G H I J K L M N
 O P Q R S T U V W X Y Z . □ ▣
 a b c d e f g h i j k l m n
 o p q r s t u v w x y z . □ ▣
 1 2 3 4 5 6 7 8 9 0 & _ \$ @ .
 . , ? ! ' ' < > () - + =
 / // % ~ :

À Á Â Ã Ä Å Æ Ç È É Ê Ë Ì Í Î
 Ī Ñ Ò Ó Ô Õ Ö Ø Ù Ú Û Ü ß à á
 ċ ĕ ğ ħ ĩ ĵ Ĺ Ń Ņ Œ Š Š Š Ÿ Ž Ž
 Ž

à á â ã ä å æ ç è é ê ë ì í î
 ĩ ñ ò ó ô õ ö ø ù ú û ü ß a á
 ċ ĕ ğ ħ ĩ ĵ Ĺ Ń Ņ Œ š š š Ÿ ž ž
 ž

Typist

A B C D E F G H I J K L M N
 O P Q R S T U V W X Y Z . □ ▣
 a b c d e f g h i j k l m n
 o p q r s t u v w x y z . □ ▣
 1 2 3 4 5 6 7 8 9 0 & _ \$ @ .
 . , ? ! ' ' < > () - + =
 / // % ~ :

À Á Â Ã Ä Å Æ Ç È É Ê Ë Ì Í Î
 Ī Ñ Ò Ó Ô Õ Ö Ø Ù Ú Û Ü ß à á
 ċ ĕ ğ ħ ĩ ĵ Ĺ Ń Ņ Œ Š Š Š Ÿ Ž Ž
 Ž

à á â ã ä å æ ç è é ê ë ì í î
 ĩ ñ ò ó ô õ ö ø ù ú û ü ß a á
 ċ ĕ ğ ħ ĩ ĵ Ĺ Ń Ņ Œ š š š Ÿ ž ž
 ž

DESIGN CHART

Embroidery Monogram

Brush

A	B	C	D	E	F	G	H	I	J	K	L	M	N	
O	P	Q	R	S	T	U	V	W	X	Y	Z	.	□	▨
a	b	c	d	e	f	g	h	i	j	k	l	m	n	
o	p	q	r	s	t	u	v	w	x	y	z	.	□	▨
1	2	3	4	5	6	7	8	9	0	&	_	\$	@	.
·	,	?	¿	!	¡	'	'	<	>	()	-	+	=
/	//	%	~	:										
À	Á	Â	Ã	Ä	Å	Æ	Ç	È	É	Ê	Ë	Ì	Í	Î
Ï	Ñ	Ò	Ó	Ô	Õ	Ö	Ø	Ù	Ú	Û	Ü	Ý	À	Á
Ĉ	ĉ	Ĝ	ĝ	Ĥ	ĥ	Ŭ	ŭ	Ŭ	ŭ	Ŭ	ŭ	Ŭ	ŭ	Ŭ
Š														

à	á	â	ã	ä	å	æ	ç	è	é	ê	ë	ì	í	î
ï	ñ	ò	ó	ô	õ	ö	ø	ù	ú	û	ü	ý	à	á
ĉ	ĉ	ĝ	ĝ	ĥ	ĥ	ŭ	ŭ	ŭ	ŭ	ŭ	ŭ	ŭ	ŭ	ŭ
š														

First Grade

A	B	C	D	E	F	G	H	I	J	K	L	M	N	
O	P	Q	R	S	T	U	V	W	X	Y	Z	.	□	▨
a	b	c	d	e	f	g	h	i	j	k	l	m	n	
o	p	q	r	s	t	u	v	w	x	y	z	.	□	▨
1	2	3	4	5	6	7	8	9	0	&	_	\$	@	.
·	,	?	¿	!	¡	'	'	<	>	()	-	+	=
/	//	%	~	:										
À	Á	Â	Ã	Ä	Å	Æ	Ç	È	É	Ê	Ë	Ì	Í	Î
Ï	Ñ	Ò	Ó	Ô	Õ	Ö	Ø	Ù	Ú	Û	Ü	Ý	À	Á
Ĉ	ĉ	Ĝ	ĝ	Ĥ	ĥ	Ŭ	ŭ	Ŭ	ŭ	Ŭ	ŭ	Ŭ	ŭ	Ŭ
Š														

à	á	â	ã	ä	å	æ	ç	è	é	ê	ë	ì	í	î
ï	ñ	ò	ó	ô	õ	ö	ø	ù	ú	û	ü	ý	à	á
ĉ	ĉ	ĝ	ĝ	ĥ	ĥ	ŭ	ŭ	ŭ	ŭ	ŭ	ŭ	ŭ	ŭ	ŭ
š														

Hollowblock

A	B	C	D	E	F	G	H	I	J	K	L	M	N	
O	P	Q	R	S	T	U	V	W	X	Y	Z	.	□	▨
1	2	3	4	5	6	7	8	9	0	&	_	\$	@	.
·	,	?	¿	!	¡	'	'	<	>	()	-	+	=
/	//	%	~	:										
À	Á	Â	Ã	Ä	Å	Æ	Ç	È	É	Ê	Ë	Ì	Í	Î
Ï	Ñ	Ò	Ó	Ô	Õ	Ö	Ø	Ù	Ú	Û	Ü	Ý	À	Á
Ĉ	ĉ	Ĝ	ĝ	Ĥ	ĥ	Ŭ	ŭ	Ŭ	ŭ	Ŭ	ŭ	Ŭ	ŭ	Ŭ
Š														

Jupiter

A	B	C	D	E	F	G	H	I	J	K	L	M	N	
O	P	Q	R	S	T	U	V	W	X	Y	Z	.	□	▨
1	2	3	4	5	6	7	8	9	0	&	_	\$	@	.
·	,	?	¿	!	¡	'	'	<	>	()	-	+	=
/	//	%	~	:										
À	Á	Â	Ã	Ä	Å	Æ	Ç	È	É	Ê	Ë	Ì	Í	Î
Ï	Ñ	Ò	Ó	Ô	Õ	Ö	Ø	Ù	Ú	Û	Ü	Ý	À	Á
Ĉ	ĉ	Ĝ	ĝ	Ĥ	ĥ	Ŭ	ŭ	Ŭ	ŭ	Ŭ	ŭ	Ŭ	ŭ	Ŭ
Š														

Micro Gothic

A	B	C	D	E	F	G	H	I	J	K	L	M	N	
O	P	Q	R	S	T	U	V	W	X	Y	Z	.	□	▨
a	b	c	d	e	f	g	h	i	j	k	l	m	n	
o	p	q	r	s	t	u	v	w	x	y	z	.	□	▨
1	2	3	4	5	6	7	8	9	0	&	_	\$	@	.
·	,	?	¿	!	¡	'	'	<	>	()	-	+	=
/	//	%	~	:										

Cyrillic 1

А	Б	В	Г	Д	Е	Ё	Ж	З	И	Й	К	Л	М	Н
О	П	Р	С	Т	У	Ф	Х	Ц	Ч	Ш	Щ	.	□	▨
Ъ	Ы	Ь	Э	Ю	Я	.	□	▨						
а	б	в	г	д	е	ё	ж	з	и	й	к	л	м	н
о	п	р	с	т	у	ф	х	ц	ч	ш	щ	.	□	▨
ъ	ы	ь	э	ю	я	.	□	▨						
1	2	3	4	5	6	7	8	9	0	-	,	.	:	!
?	<	>	()	=	-	+	/	%					

Cyrillic 2

А	Б	В	Г	Д	Е	Ё	Ж	З	И	Й	К	Л	М	Н
О	П	Р	С	Т	У	Ф	Х	Ц	Ч	Ш	Щ	.	□	▨
Ъ	Ы	Ь	Э	Ю	Я	.	□	▨						
а	б	в	г	д	е	ё	ж	з	и	й	к	л	м	н
о	п	р	с	т	у	ф	х	ц	ч	ш	щ	.	□	▨
ъ	ы	ь	э	ю	я	.	□	▨						
1	2	3	4	5	6	7	8	9	0	-	,	.	:	!
?	<	>	()	=	-	+	/	%					

Cyrillic 3

А	Б	В	Г	Д	Е	Ё	Ж	З	И	Й	К	Л	М	Н
О	П	Р	С	Т	У	Ф	Х	Ц	Ч	Ш	Щ	.	□	▨
Ъ	Ы	Ь	Э	Ю	Я	.	□	▨						
а	б	в	г	д	е	ё	ж	з	и	й	к	л	м	н
о	п	р	с	т	у	ф	х	ц	ч	ш	щ	.	□	▨
ъ	ы	ь	э	ю	я	.	□	▨						
1	2	3	4	5	6	7	8	9	0	-	,	.	:	!
?	<	>	()	=	-	+	/	%					

DESIGN CHART

Embroidery Monogram

Border



Normal Sew



2-Letters



3-Letters



This page is left intentionally blank

