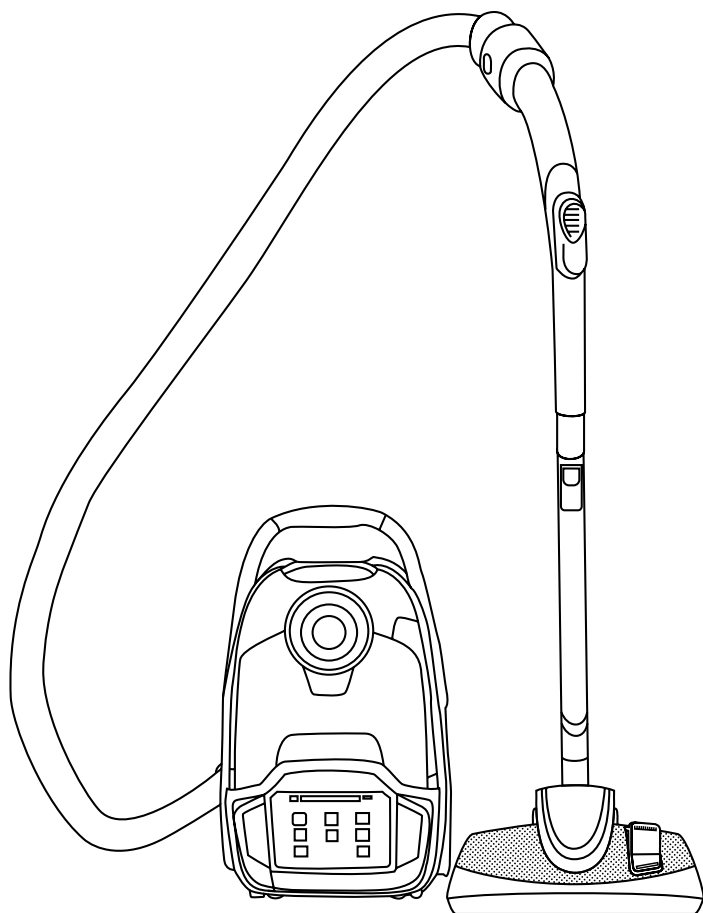


Simplicity[®]

VACUUMS

Scout

Owner's Manual



SCOUT

Getting Started

| | |
|-------------------------------------|---|
| Important Safety Instructions | 2 |
| Polarization Instructions | 3 |
| Parts Identification | 4 |

Assembly

| | |
|---------------------|---|
| Flexible Hose | 5 |
| Handle | 5 |

Accessories

| | |
|------------------------------|---|
| Combination Floor Tool | 6 |
| 3-in-1 Cleaning Tool | 6 |
| Upholstery Tool | 7 |
| Crevice Tool | 7 |
| Dusting Brush | 7 |

Controls

| | |
|----------------|---|
| Controls | 8 |
|----------------|---|

Instructions

| | |
|--|---|
| Using the Cord Rewind Button and Standby On/Off Button | 9 |
|--|---|

Maintenance

| | |
|---------------------------------------|----|
| Vacuum Cleaner Storage | 12 |
| Replacing the Dust Bag | 12 |
| Pre-Motor Filter Replacement | 13 |
| Exhaust HEPA Filter Replacement | 14 |

Troubleshooting

| | |
|----------------------------|----|
| Troubleshooting | 17 |
| For Best Performance | 17 |

Warranty Information

| | |
|-----------------------|----|
| Register Online | 18 |
|-----------------------|----|

IMPORTANT SAFETY INSTRUCTIONS

READ AND UNDERSTAND ALL INSTRUCTIONS BEFORE USING THIS UNIT.

This vacuum must be operated in accordance with these instructions and used only for domestic household cleaning to remove DRY dirt and dust from household carpets, flooring, walls, and fabrics. This cleaner is not fit to be used as an industrial cleaner and will void the manufacturer's warranty if used inappropriately.

Please read these instructions thoroughly. This will ensure you obtain full benefit from your new vacuum. Keep this Owner's Manual in a convenient and safe place for future reference.

IMPORTANT:

The manufacturer cannot accept responsibility for damage caused when the appliance is not used according to the instructions, or for uses other than those for which it was intended.

WARNING: To reduce the risk of fire, electric shock, damage or injury:

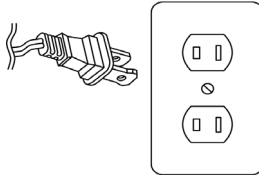
- Empty the bag when the full bag indicator turns red. Over-filling the bag may cause dirt and debris to clog the vacuum and cause loss of suction.
- Always unplug the vacuum from the electrical outlet before replacing the bag or filters.
- Do not leave appliance when plugged in. Unplug from outlet when not in use and before servicing.
- **WARNING: ELECTRIC SHOCK COULD OCCUR IF USED OUTDOORS OR ON WET SURFACES.**
- Do not allow to be used as a toy. Close attention is necessary when used by or near children.
- Use only as described in this manual. Use only manufacturer's recommended attachments.
- Do not use with damaged cord or plug. Or if appliance is not working as it should, has been dropped, damaged, left outdoors, or dropped into water, return it to your Authorized Simplicity Retailer for service.
- Do not unplug by pulling on cord. To unplug, grasp the plug, not the cord.
- Do not handle plug or appliance with wet hands.
- Do not pull or carry by cord, use cord as a handle, close a door on the cord, or pull cord around sharp edges or corners. Do not run appliance over cord. Keep cord away from heated surfaces.
- Do not put any object into openings. Do not use with any opening blocked; keep free of dust, lint, hair and anything that may reduce air flow.
- Keep hair, loose clothing, fingers and all parts of body away from openings and moving parts.
- Do not pick up anything that is burning or smoking, such as cigarettes, matches or hot ashes.
- Do not use without bag or filters in place.
- Turn off all controls before unplugging.
- Do not use to pick up flammable or combustible liquids such as gasoline or use in areas where they may be present.
- Do not attempt to service the unit while appliance is plugged in.
- Do not use vacuum to pick up water or any wet materials.
- Use extra care when cleaning on stairs
- Always turn off and unplug vacuum cleaner before connecting or disconnecting either hose, wand or floor tool.
- Hold plug when rewinding cord reel. Do not allow plug to whip when rewinding.

SAVE THESE INSTRUCTIONS

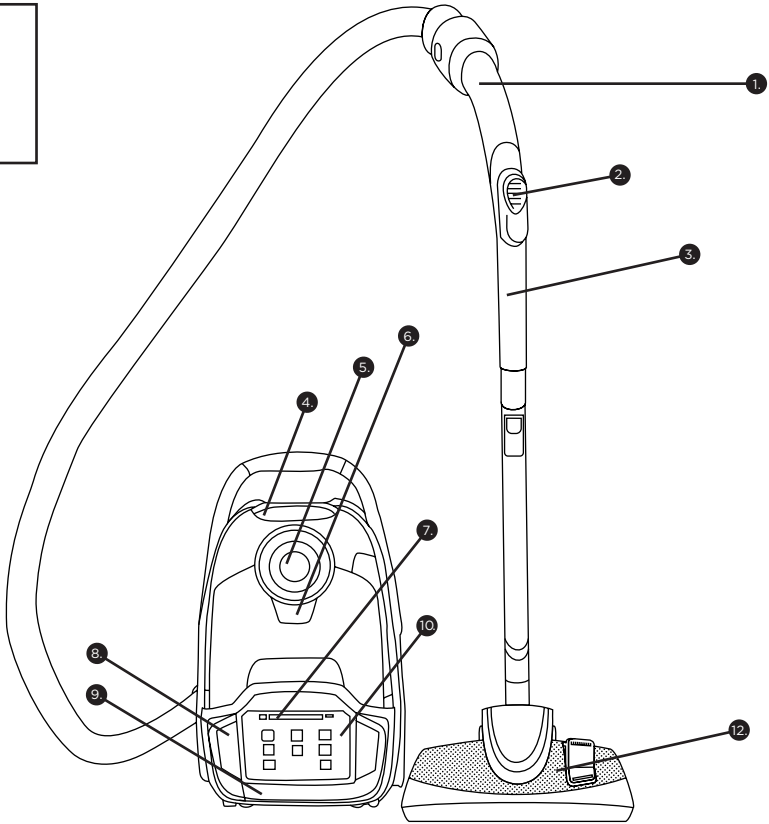
POLARIZATION INSTRUCTIONS

Power Cord, 2-Wire Polarized Cord

To reduce the risk of electric shock, the vacuum is equipped with a polarized alternating current line plug (a plug having one blade wider than the other). This plug will fit into the power outlet only one way. This is a safety feature. If you are unable to insert the plug fully into the outlet, try reversing the plug. If the plug should still fail to fit, contact a qualified electrician to replace the obsolete outlet. Do not defeat the safety purpose of the polarized plug.



PARTS IDENTIFICATION

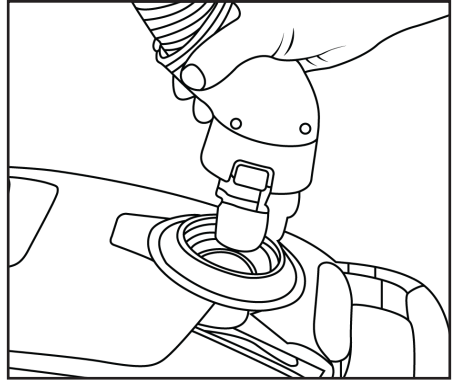


- (1) Handle
- (2) Suction air flow adjuster (on handle)
- (3) Telescopic Wand
- (4) Dust Bag Cover Latch
- (5) Air Inlet
- (6) Accessory Cover Release Button
- (7) Full Dust Bag Indicator
- (8) Standby On/Off Button
- (9) Exhaust Filter Release Button
- (10) Cord Rewind Button
- (11) 3-in-1 Cleaning Tool
- (12) Combination Floor Tool

IMPORTANT! Always remove the power cord from the power supply before fitting or removing accessories!

Flexible Hose

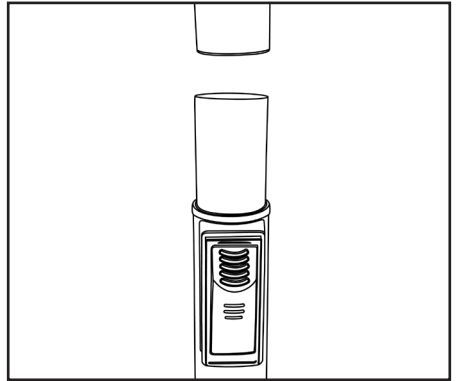
- Fitting: Insert the flexible hose into the air inlet of the vacuum. Press until it clicks into position. (Fig 1)
- Removing: Press the two buttons and gently pull to release the flexible hose. (Fig 1)



(Fig 1)

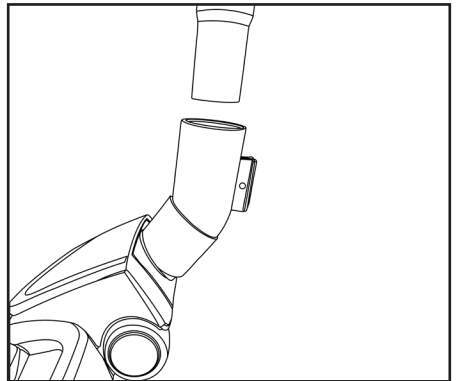
Handle

- Gently insert the handle into the telescopic wand. (Fig 2)



(Fig 2)

- Place the floor tool onto the floor and gently insert the wand into tool. (Fig 3)

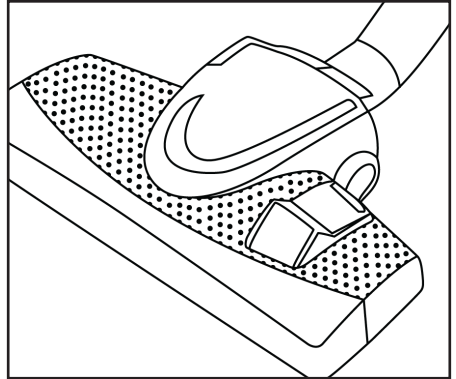


(Fig 3)

ACCESSORIES

Combination Floor Tool

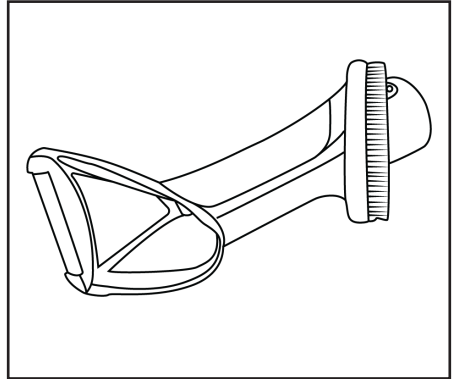
This multi-purpose combination floor tool easily switches from a carpet cleaning tool to a hard floor tool. (Fig 4)



(Fig 4)

3-in-1 Cleaning Tool

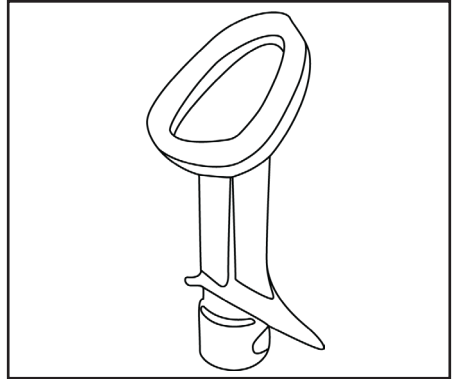
Combines a crevice tool, upholstery tool & dusting brush all in the one tool for convenient cleaning. To use the 3-in-1 Cleaning Tool as an upholstery tool or as a dusting brush simply remove the crevice tool and insert the crevice tool into the opposite end of the tool you would like to use. (Fig 5)



(Fig 5)

Upholstery Tool

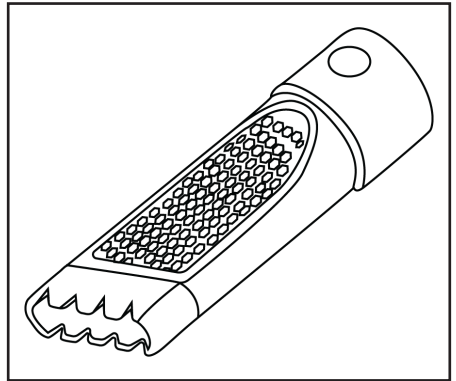
For Vacuuming furniture and upholstery.
(Fig 6)



(Fig 6)

Crevice Tool

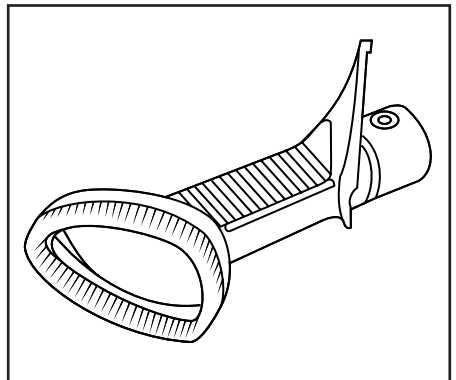
Eliminate dust from hard to reach places.
(Fig 7)



(Fig 7)

Dusting Brush

Ideal for cleaning blinds, bookshelves
and lampshades. (Fig 8)



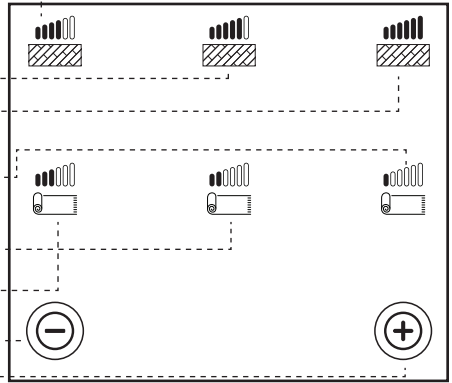
(Fig 8)

CONTROLS

The suction power can be regulated by using the Digital Power Control to achieve optimal cleaning results. To change the suction power to suit a particular cleaning task, press the Power Increase Button to increase the suction power, and to reduce the suction power, press the Power Decrease Button.

The Dust Bag Indicator will continually flash red to indicate that the dust bag requires replacement or to indicate that there is a blockage. (Fig 9)

- Low Power Suction (Hard Floor and upholstery)
- Medium Power Suction (Hard Floor and upholstery)
- High Power Suction (Hard Floor and upholstery)
- Low Power Suction (Lampshades/Drapes)
- Medium Power Suction (Lampshades/Drapes)
- High Power Suction (Lampshades/Drapes)
- Power Decrease Button
- Power Increase Button



(Fig 9)

Note: In the two lowest settings, the dust bag indicator will not flash.

Using the Cord Rewind Button and Standby On/Off Button

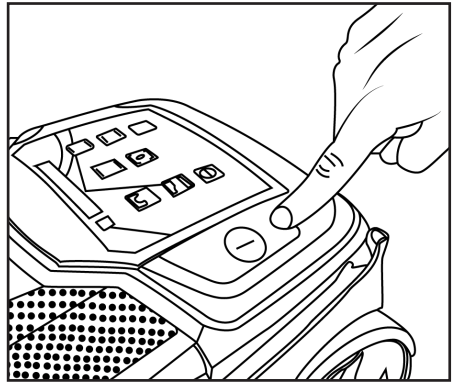
Standby On/Off Button (Fig 10)

1. Unwind a sufficient length of power cord. The yellow mark on the power cord shows the recommended cord length. DO NOT extend the cord beyond the red mark.
2. Insert the cord into the outlet.
3. Press the Standby On/Off button to put the vacuum into Standby Mode.
4. To switch On the cleaner:
 - Press the Power Decrease or Power Increase buttons on the Digital Power Control panel.

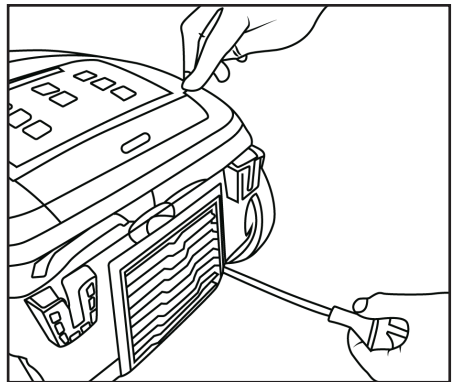
Rewind (Fig 11)

1. Press the On/Off button to switch off the vacuum.
2. Unplug the cord from the power outlet.
3. To rewind the power cord, press the rewind button with one hand and guide the cord with the other hand to ensure that the power cord does not whip.

Note: Do not unplug by pulling on the power cord. To unplug, grasp the power plug not the power cord and gently pull the power plug from the power outlet



(Fig 10)



(Fig 11)

Vacuum Cleaner Storage

When not in use, ensure that the cleaner is disconnected from the power supply and that the cable is fully retracted. The combination floor tool can be stored in the floor tool holders. Other floor tools must be stored separately.

MAINTENANCE

Replacing the Dust Bag

IMPORTANT! Ensure that the cleaner is disconnected from the power supply when installing or removing the dust bag.

Note: Only use the dust bag supplied or recommend by the manufacturer to avoid causing damage to the machine and voiding the warranty.

(Fig 12)

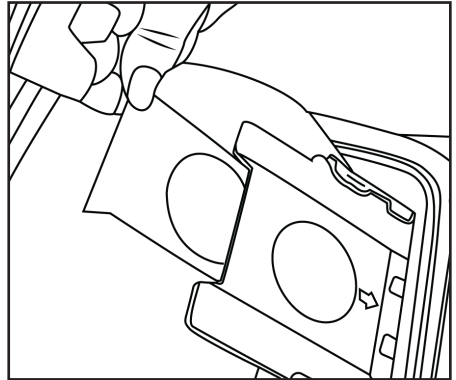
Always operate the cleaner with the dust bag installed. If you forget to install the dust bag or the dust bag is installed incorrectly, the dust bag cover may not close completely.

- Remove the hose from the air inlet.
- Open the cover by pulling on the Dust Bag Cover Latch.
- To stop dust and debris from escaping when removing the dust bag from the machine, firmly hold the dust bag in the dust bag holder and gently pull the dust bag seal.
- Refit a new dust bag by inserting the dust bag collar into the dust bag bracket. Ensure that the arrow on the dust bag collar is facing downwards when being inserted into the dust bag bracket.

Note: The dust bag has been designed with a seal to prevent dust and debris from escaping when the dust bag is removed from the cleaner.

- Gently close the cover, you will hear a 'click' when closed properly.

Note: Please ensure that the dust bag is fully inserted into the dust bag bracket before closing the cover to avoid dust leaking from the dust bag.



(Fig 12)

Pre-Motor Filter Replacement

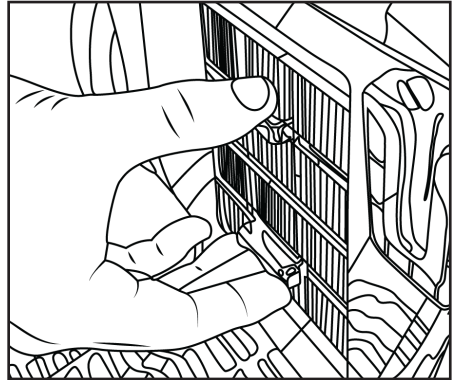
IMPORTANT! Ensure the cleaner is disconnected from the power supply before performing any maintenance procedures.

The pre-motor filter should be replaced every six months or when it becomes visibly dirty. Always operate the cleaner with clean filters; otherwise, there may be a reduction in the suction power or motor damage may result.

Note: Do not use a washing machine to wash the filter or a hair drier to dry the filter.

- Pull out the filter bracket assembly.
- Replace with a new filter.

(Fig 13)



(Fig 13)

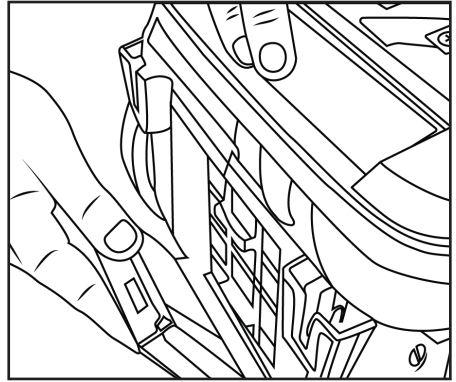
MAINTENANCE

Exhaust HEPA Type Filter Replacement

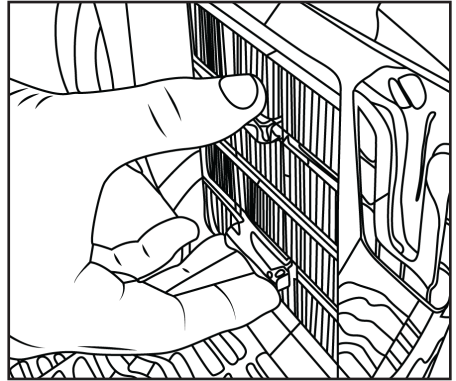
IMPORTANT! Ensure that the cleaner is disconnected from the power supply before performing any maintenance procedures.

The Exhaust HEPA Type filter is installed behind the air outlet grill. This filter is washable. When dust or dirt is visible on the surface of the filter, the filter should be replaced or washed with warm water to maintain optimal performance. It is recommended to replace the filter every 6 months or when it becomes visibly dirty. This may vary depending on frequency of use. Please ensure all filters have been correctly installed into the machine before use.

- Press the Exhaust Filter Release Button to access the Exhaust HEPA type filter. (Fig 14)
- Remove the filter by pulling on the filter tabs as shown. (Fig 15)



(Fig 14)



(Fig 15)

TROUBLESHOOTING

| Problem | Check Point | Possible Solution |
|--|--------------------------------|--|
| The vacuum does not power | Power cord | Insert the power plug firmly into an electrical outlet |
| Suction power is weak. | Bag Blocked hose or wand | Replace if the bag is full. Remove obstruction. |
| Vacuum makes an abnormal sound when on. | Brush roller Blocked hose | Turn off immediately. Check to ensure there are no blockages. Clear any blockages that may be found. Check that tool is installed securely. |
| Any other service should be performed by an Authorized Simplicity Vacuum Retailer. To locate your nearest Authorized Retailer, visit our website at www.SimplicityVac.com or call 888-974-6759. | | |

FOR BEST PERFORMANCE

- Use machine with a bag, pre-motor filter, and pleated filter.
- Keep machine and all accessories clean and in good operating condition.
- Replace bag when it's 2/3 full. The replacement bag number is SSH-6.
- Check and replace filters every 6 months or more frequently if vacuuming fine powders such as flour or drywall dust.
- Always use genuine filters and parts, as use of other products may result in poor cleaning or filtration performance. Genuine Simplicity filtration products are designed for maximum performance.
- Store machine in a clean, dry area indoors.
- For optimum cleaning performance and safety, follow this owner's manual.

WARRANTY INFORMATION

What is Covered:

This warranty covers any defects in material and workmanship in your new Simplicity vacuum.

How Long Coverage Lasts:

Warranty coverage for this Simplicity vacuum lasts one year. Household models used commercially are only warranted for 90 days.

Simplicity[®]
VACUUMS



Simplicityvac.com/register-warranty

What's the best way to be a part of the in crowd?

It's simple: register your Simplicity vacuum today and activate your warranty.

How do you like your vacuum?

Once you've had some time to try out your new Simplicity vacuum, we want to know what you think — leave a product review. It only takes a few minutes and it helps us make our products better... and your home simply cleaner.

Simplicity[®] VACUUMS

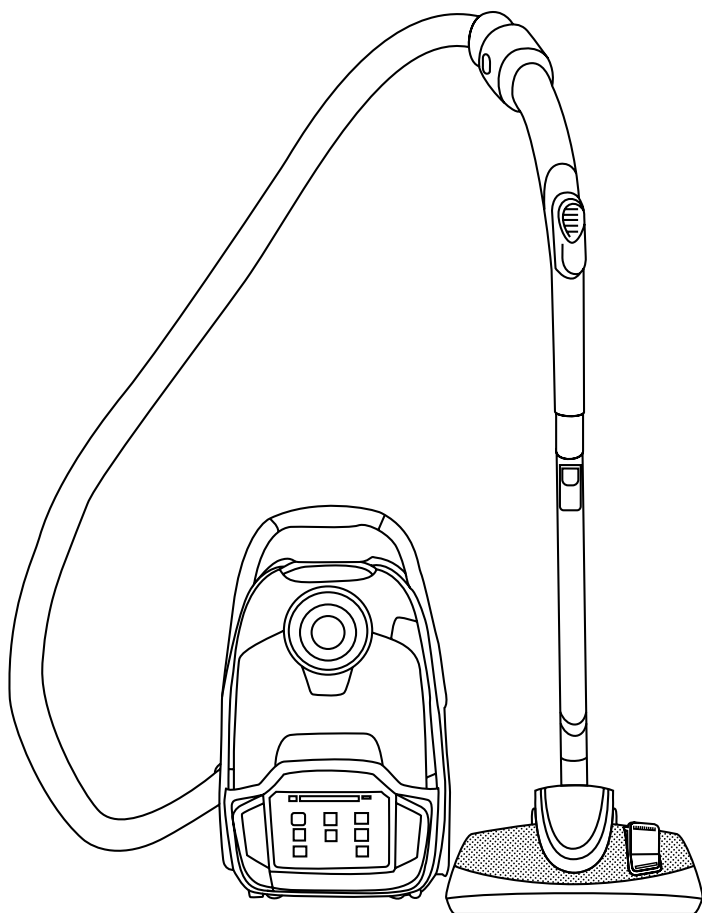
888-974-6759
1760 Gilsinn Lane
Fenton, MO 63026

Simplicity[®]

VACUUMS

Scout

Manuel du propriétaire



SCOUT

TABLE DES MATIÈRES

Pour commencer

| | |
|---|---|
| Consignes de sécurité importantes | 2 |
| Instructions de polarisation | 3 |
| Identification des pièces | 4 |

Assemblée

| | |
|----------------------|---|
| Tuyau flexible | 5 |
| Poignée | 5 |

Accessoires

| | |
|--------------------------------------|---|
| Outil de plancher multi-usages | 6 |
| Outil de nettoyage 3 en 1 | 6 |
| Outil pour tapisserie | 7 |
| Suceur plat | 7 |
| Brosse dépoussiérante | 7 |

Commandes

| | |
|-----------------|---|
| Commandes | 8 |
|-----------------|---|

Instructions

| | |
|--|---|
| Utilisation du bouton de rembobinage du cordon et du bouton de veille marche/arrêt | 9 |
|--|---|

Entretien

| | |
|---|----|
| Rangement de l'aspirateur | 12 |
| Remplacement du sac à poussières | 12 |
| Remplacement du filtre avant-moteur | 13 |
| Remplacement du filtre HEPA d'échappement | 14 |

Dépannage

| | |
|--------------------------------------|----|
| Dépannage | 17 |
| Pour une meilleure performance | 17 |

Informations sur la garantie

| | |
|-------------------------------|----|
| Enregistrement en ligne | 18 |
|-------------------------------|----|

INSTRUCTIONS DE SÉCURITÉ IMPORTANTES

LISEZ ET COMPRENEZ TOUTES LES INSTRUCTIONS AVANT D'UTILISER CET APPAREIL.

Cet aspirateur doit être utilisé conformément à ces instructions et utilisé uniquement pour le nettoyage domestique afin d'éliminer la saleté et la poussière SÈCHES des tapis, des revêtements de sol, des murs et des tissus domestiques. Cet aspirateur n'est pas adapté pour être utilisé comme nettoyeur industriel et annulera la garantie du fabricant s'il est utilisé de manière inappropriée.

Veillez lire les instructions de ce manuel attentivement. Cela vous assurera de profiter pleinement de votre nouvel aspirateur. Conservez ce Manuel du propriétaire dans un endroit pratique et sûr pour référence ultérieure.

IMPORTANT :

Le fabricant ne pourra être tenu responsable en cas de dommage causé par une utilisation de cet appareil non conforme aux instructions, ou en cas de dommage dû à une utilisation autre que celle pour laquelle il a été conçu.

AVERTISSEMENT : Afin de réduire le risque d'incendie, de décharge électrique, de dégât ou de blessure :

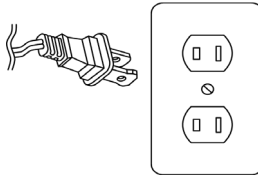
- Videz le sac lorsque l'indicateur de sac plein passe au rouge. Le fait de trop remplir le sac peut entraîner une obstruction de l'aspirateur par des saletés et des débris et provoquer une perte d'aspiration.
- Débranchez toujours l'aspirateur de la prise avant de remplacer le sac ou les filtres.
- Ne laissez pas l'appareil branché sans surveillance. Débranchez-le lorsque vous ne l'utilisez pas et avant de procéder à son entretien.
- **AVERTISSEMENT : IL EXISTE UN RISQUE D'ÉLECTROCUTION EN CAS D'UTILISATION EN EXTÉRIEUR OU SUR DES SURFACES HUMIDES.**
- Ne laissez pas vos enfants jouer avec l'appareil. Restez vigilant lors de son utilisation par ou à proximité des enfants.
- Utilisez uniquement selon les instructions décrites dans ce manuel. Utilisez uniquement les accessoires recommandés par le fabricant.
- N'utilisez pas cet appareil si la fiche ou le cordon est endommagé. Si cet appareil ne fonctionne pas comme prévu, s'il a subi une chute, a été endommagé, exposé aux intempéries, ou s'il est tombé à l'eau, renvoyez-le à votre revendeur agréé Simplicity pour le faire réparer.
- Ne débranchez pas l'appareil en tirant sur le cordon. Pour le débrancher, tirez sur la fiche et non pas sur le cordon.
- Ne manipulez pas la fiche ou l'appareil avec les mains mouillées.
- Ne tirez pas et ne soulevez pas l'appareil par le cordon, n'utilisez pas le cordon comme poignée, ne fermez pas une porte sur le cordon et ne serrez pas le cordon contre des bords tranchants ou des coins. Ne faites pas rouler l'appareil sur le cordon. Maintenez le cordon à distance des surfaces chaudes.
- N'insérez pas d'objets dans les ouvertures. N'utilisez pas l'appareil si une ouverture est obstruée; évitez l'accumulation de poussières, de peluches, de cheveux ou de tout autre élément pouvant réduire le flux d'air.
- Tenez les cheveux, les habits amples, les doigts et toute autre partie du corps à distance des ouvertures et des pièces mobiles.
- N'aspirez pas d'éléments incandescents ou émettant de la fumée tels que des cigarettes, des allumettes ou des cendres chaudes.
- N'utilisez pas l'appareil sans sac ou filtre.
- Éteignez toutes les commandes avant de débrancher.
- N'utilisez pas l'appareil ni pour aspirer des liquides inflammables ou combustibles tels que de l'essence, ni dans des endroits pouvant en contenir.
- N'essayez pas de nettoyer ou de réparer l'unité lorsque celle-ci est branchée.
- N'utilisez pas l'aspirateur pour puiser de l'eau ou ramasser tout autre matériau humide.
- Prenez des précautions supplémentaires lors de l'aspiration des escaliers.
- Éteignez et débranchez toujours l'aspirateur avant de brancher ou de débrancher le tuyau, le tube-rallonge ou l'outil de plancher.
- Tenez la fiche lors du rembobinage du cordon. Ne laissez pas que la fiche s'agite lors du rembobinage.

CONSERVEZ CES INSTRUCTIONS

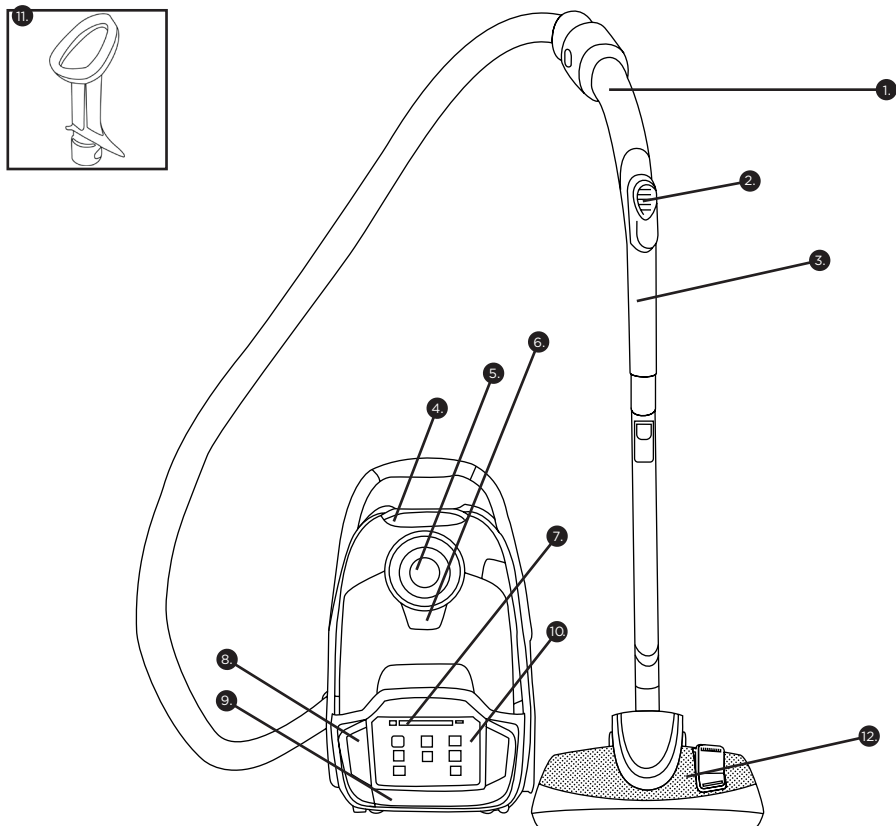
INSTRUCTIONS DE POLARISATION

Cordon d'alimentation, cordon polarisé à 2 fils

Afin de réduire le risque de choc électrique, cet aspirateur est équipé d'une fiche à courant alternatif polarisé (une fiche ayant une broche plus large que l'autre). Cette fiche entre dans la prise uniquement dans un sens. Il s'agit d'un dispositif de sécurité. Si vous ne parvenez pas à brancher totalement la fiche dans la prise, essayez en inversant le sens de la fiche. Si vous ne parvenez toujours pas à brancher correctement la fiche, contactez un électricien qualifié afin de remplacer la prise obsolète. Évitez de neutraliser le dispositif de sécurité de la fiche polarisée.



IDENTIFICATION DES PIÈCES

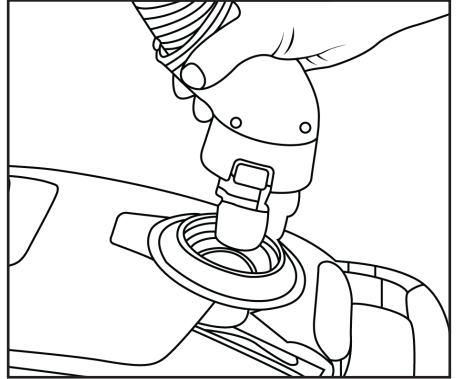


- | | |
|--|---|
| (1) Poignée | (8) Bouton Veille Marche/Arrêt |
| (2) Régulateur du flux d'air d'aspiration (sur la poignée) | (9) Détachement du filtre d'échappement Buse à bouton |
| (3) Tube-rallonge télescopique | (10) Bouton de rembobinage du cordon |
| (4) Loquet du couvercle du sac à poussière | (11) Outil de nettoyage 3 en 1 |
| (5) Entrée d'air | (12) Outil de plancher multi-usages |
| (6) Déverrouillage du couvercle d'accessoires Bouton | |
| (7) Indicateur de sac à poussière plein | |

IMPORTANT! Débranchez toujours le cordon d'alimentation de l'alimentation avant d'installer ou de retirer des accessoires!

Tuyau flexible

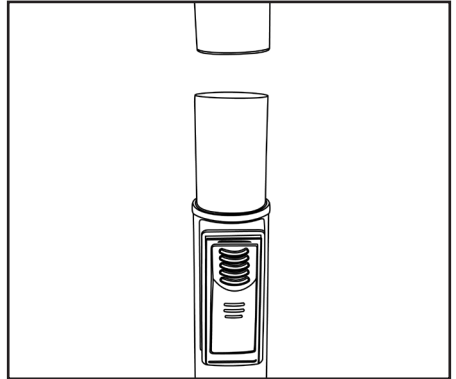
- Raccord : Insérez le tuyau flexible dans l'entrée d'air de l'aspirateur. Appuyez jusqu'à entendre un clic. (Fig. 1)
- Retrait : Appuyez sur les deux boutons et tirez doucement pour libérer le tuyau flexible. (Fig. 1)



(Fig. 1)

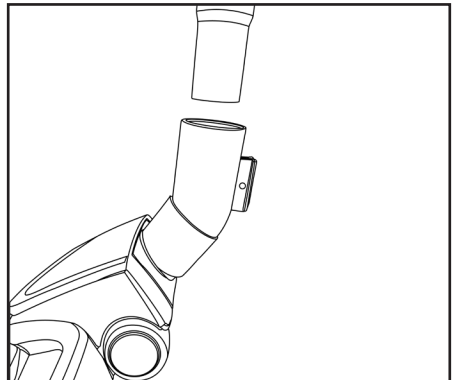
Poignée

- Insérez délicatement la poignée dans le tube-rallonge télescopique. (Fig. 2)



(Fig. 2)

- Placez l'outil de plancher sur le plancher et insérez délicatement le tube dans l'outil.

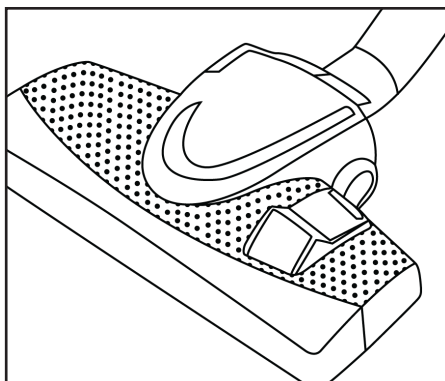


(Fig. 3)

ACCESSOIRES

Outil de plancher multi-usages

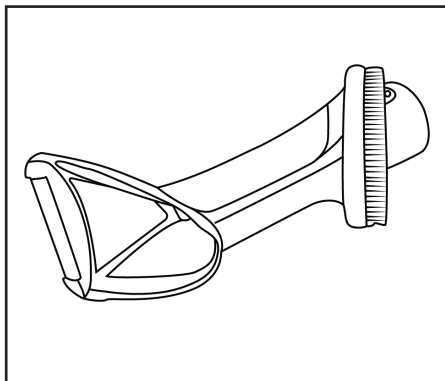
Cet outil de plancher polyvalent passe facilement d'un outil de nettoyage de moquette à un outil de sol dur. (Fig. 4)



(Fig. 4)

Outil de nettoyage 3 en 1

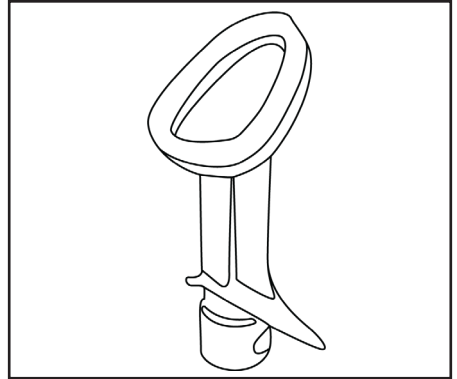
Combine un suceur plat, un outil pour tapisserie et une brosse dépoussiérante dans un seul outil pour un nettoyage pratique. Pour utiliser l'outil de nettoyage 3 en 1 comme outil pour tapisserie ou comme brosse dépoussiérante, retirez simplement le suceur plat et insérez le suceur plat dans l'extrémité opposée de l'outil que vous souhaitez utiliser. (Fig. 5)



(Fig. 5)

Outil pour tapisserie

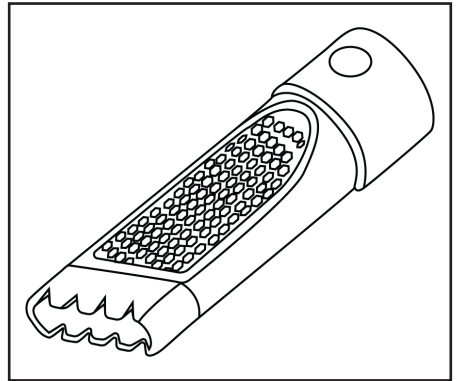
Pour passer l'aspirateur sur les meubles et la tapisserie. (Fig. 6)



(Fig. 6)

Suceur plat

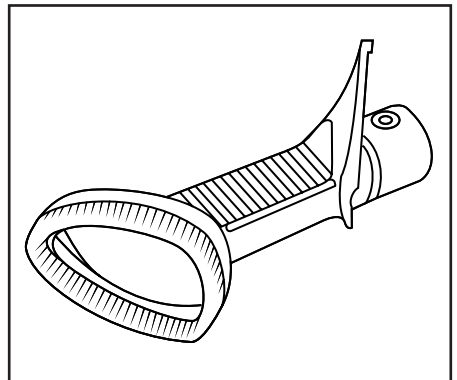
Élimine la poussière des endroits difficiles d'accès. (Fig. 7)



(Fig. 7)

Brosse dé poussiérante

Idéale pour nettoyer les stores, les étagères et les abat-jour. (Fig. 8)



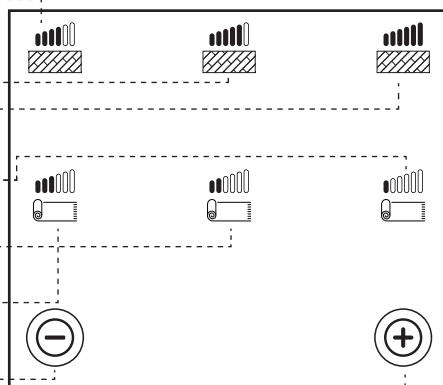
(Fig. 8)

COMMANDES

La puissance d'aspiration peut être réglée à l'aide de la commande de puissance numérique pour obtenir des résultats de nettoyage optimaux. Pour modifier la puissance d'aspiration en fonction d'une tâche de nettoyage particulière, appuyez sur le bouton d'augmentation de la puissance pour augmenter la puissance d'aspiration, et pour diminuer la puissance d'aspiration, appuyez sur le bouton de diminution de la puissance.

L'indicateur du sac à poussière clignote continuellement en rouge pour indiquer que le sac à poussière doit être remplacé ou pour indiquer qu'il y a un blocage. (Fig. 9)

- Aspiration à faible puissance (sol dur et tapisseries)
- Aspiration à moyenne puissance (sol dur et tapisseries)
- Aspiration à haute puissance (sol dur et tapisseries)
- Aspiration à faible puissance (abat-jour/rideaux)
- Aspiration à moyenne puissance (abat-jour/rideaux)
- Aspiration à haute puissance (abat-jour/rideaux)
- Bouton de diminution de la puissance
- Bouton d'augmentation de la puissance



(Fig. 9)

Remarque : Dans les deux réglages les plus bas, l'indicateur du sac à poussière ne clignote pas.

Utilisation du bouton de rembobinage du cordon et du bouton de veille marche/arrêt

Bouton Veille Marche/Arrêt (Fig. 10)

1. Déroulez une longueur suffisante de cordon d'alimentation. La marque jaune sur le cordon d'alimentation indique la longueur de cordon recommandée. N'ALLONGEZ PAS le cordon au-delà de la marque rouge.
2. Insérez le cordon dans la prise.
3. Appuyez sur le bouton Veille Marche/Arrêt pour mettre l'aspirateur en mode veille.
4. Pour allumer l'aspirateur :
 - Appuyez sur les boutons de diminution de la puissance ou d'augmentation de la puissance sur le panneau de commande de puissance numérique.

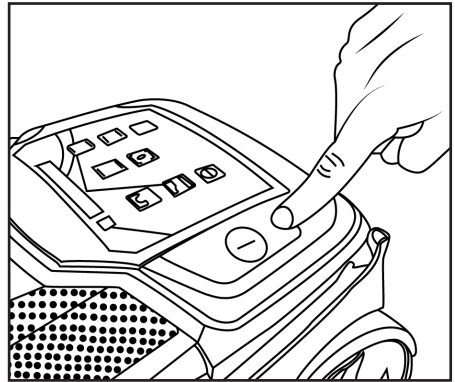
Rembobinage (Fig. 11)

1. Appuyez sur le bouton Marche/Arrêt pour éteindre l'aspirateur.
2. Débranchez le cordon de la prise de courant.
3. Pour rembobiner le cordon d'alimentation, appuyez sur le bouton de rembobinage d'une main et guidez le cordon de l'autre main pour vous assurer que le cordon d'alimentation ne fouette pas.

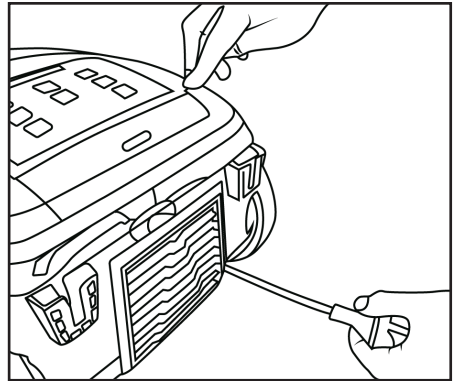
Remarque : Ne débranchez pas l'appareil en tirant sur le cordon d'alimentation. Pour débrancher, saisissez la fiche d'alimentation et non le cordon d'alimentation et retirez doucement la fiche d'alimentation de la prise de courant

Rangement de l'aspirateur

Lorsqu'il n'est pas utilisé, assurez-vous que l'aspirateur est débranché de l'alimentation électrique et que le cordon est complètement rétracté. L'outil de plancher multi-usages peut être rangé dans les porte-outils de plancher. Les autres outils de plancher doivent être rangés séparément.



(Fig. 10)



(Fig. 11)

Remplacement du sac à poussière

IMPORTANT! Assurez-vous que l'aspirateur est débranché de l'alimentation électrique lors de l'installation ou du retrait du sac à poussière.

Remarque : Utilisez uniquement le sac à poussière fourni ou recommandé par le fabricant pour éviter d'endommager la machine et d'annuler la garantie.

(Fig. 12)

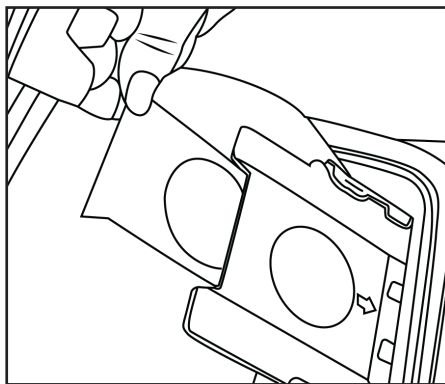
Faites toujours fonctionner l'aspirateur avec le sac à poussière installé. Si vous oubliez d'installer le sac à poussière ou si le sac à poussière est mal installé, le couvercle du sac à poussière peut ne pas se fermer complètement.

- Retirez le tuyau de l'entrée d'air.
- Ouvrez le couvercle en tirant sur le loquet du couvercle du sac à poussière.
- Pour empêcher la poussière et les débris de s'échapper lorsque vous retirez le sac à poussière de la machine, tenez fermement le sac à poussière dans le support de sac à poussière et tirez doucement sur le joint du sac à poussière.
- Remontez un nouveau sac à poussière en insérant le collier du sac à poussière dans le support du sac à poussière. Assurez-vous que la flèche sur le collier du sac à poussière est orientée vers le bas lors de l'insertion dans le support du sac à poussière.

Remarque : Le sac à poussière a été conçu avec un joint pour empêcher la poussière et les débris de s'échapper lorsque le sac à poussière est retiré de l'aspirateur.

- Fermez doucement le couvercle, vous entendrez un « clic » lorsqu'il sera correctement fermé.

Remarque : Veuillez vous assurer que le sac à poussière est complètement inséré dans le support du sac à poussière avant de fermer le couvercle pour éviter que la poussière ne s'échappe du sac à poussière.



(Fig. 12)

Remplacement du filtre avant-moteur

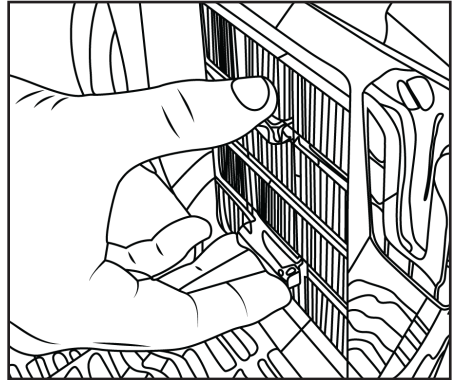
IMPORTANT! Assurez-vous que l'aspirateur est débranché de l'alimentation électrique avant d'effectuer toute procédure d'entretien.

Le filtre avant-moteur doit être remplacé tous les six mois ou lorsqu'il devient visiblement sale. Utilisez toujours l'aspirateur avec des filtres propres; sinon, il peut en résulter une réduction de la puissance d'aspiration ou des dommages au moteur.

Remarque : N'utilisez pas de machine à laver pour laver le filtre ni de sèche-cheveux pour sécher le filtre.

- Retirez l'assemblage de support de filtre.
- Remplacez-le par un nouveau filtre.

(Fig. 13)



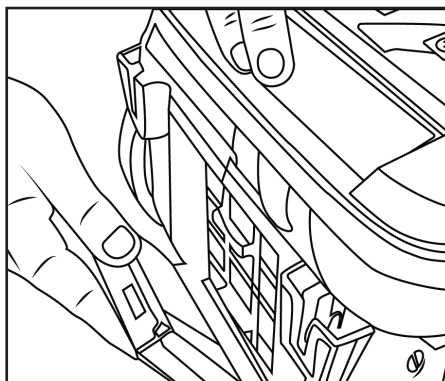
(Fig. 13)

Remplacement du filtre d'échappement de type HEPA

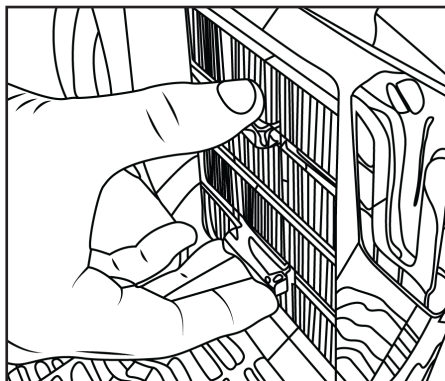
IMPORTANT! Assurez-vous que l'aspirateur est débranché de l'alimentation électrique avant d'effectuer toute procédure d'entretien.

Le filtre d'échappement de type HEPA est installé derrière la grille de sortie d'air. Ce filtre est lavable. Lorsque de la poussière ou de la saleté est visible sur la surface du filtre, le filtre doit être remplacé ou lavé à l'eau tiède pour maintenir une performance optimale. Il est recommandé de remplacer le filtre tous les 6 mois ou lorsqu'il devient visiblement sale. Cela peut varier en fonction de la fréquence d'utilisation. Veuillez vous assurer que tous les filtres ont été correctement installés dans la machine avant utilisation.

- Appuyez sur le bouton de déverrouillage du filtre d'échappement pour accéder au filtre d'échappement de type HEPA. (Fig. 14)
- Retirez le filtre en tirant sur les languettes du filtre comme indiqué. (Fig. 15)



(Fig. 14)



(Fig. 15)

| Problème | Point de vérification | Solution possible |
|---|--------------------------------------|---|
| L'aspirateur ne s'allume pas. | Cordon d'alimentation | Insérez la fiche d'alimentation fermement dans une prise électrique |
| La puissance d'aspiration est faible. | Sac Tuyau ou tube-rallonge bloqué | Remplacez le sac s'il est plein. Retirez ce qui cause l'obstruction. |
| L'aspirateur fait un bruit anormal lorsqu'il est allumé. | Rouleau à brosse Tuyau bloqué | Éteignez immédiatement. Vérifiez qu'il n'y a pas de blocages. Éliminez tous les blocages éventuellement trouvés. Vérifiez que l'outil est bien installé. |
| Tout autre service doit être effectué par un revendeur autorisé de Simplicity Vacuum. Pour trouver le revendeur agréé le plus proche, visitez notre site Web à www.SimplicityVac.com ou appelez le 888-974-6759. | | |

POUR UNE MEILLEURE PERFORMANCE

- Utilisez la machine avec un sac, un filtre avant-moteur et un filtre plissé.
- Maintenez la machine et tous les accessoires propres et en bon état de fonctionnement.
- Remplacez le sac lorsqu'il est plein aux 2/3. Le numéro de sac de remplacement est SSH-6.
- Vérifiez et remplacez les filtres tous les 6 mois ou plus fréquemment si vous aspirez des poudres fines comme la farine ou la poussière murale sèche.
- Utilisez toujours des filtres et des pièces certifiés, car l'utilisation d'autres produits peut entraîner un mauvais nettoyage ou une mauvaise qualité de filtration. Les produits de filtration Simplicity d'origine sont conçus pour une performance maximale.
- Rangez la machine dans un endroit propre et sec à l'intérieur.
- Pour une meilleure performance de nettoyage et plus de sécurité, suivez les instructions de ce manuel.

INFORMATIONS SUR LA GARANTIE

Ce que couvre cette garantie :

La présente garantie couvre tous défauts de matériau et de fabrication de votre nouvel aspirateur Simplicity.

Durée de la couverture :

La couverture de la garantie pour cet aspirateur Simplicity dure une année. Les modèles domestiques utilisés commercialement sont garantis uniquement pendant 90 jours.

Simplicity[®]
VACUUMS



Simplicityvac.com/register-warranty

Quelle est la meilleure façon de faire partie du groupe?

C'est simple : il vous suffit d'enregistrer votre aspirateur Simplicity aujourd'hui et d'activer votre garantie.

Comment trouvez-vous votre aspirateur?

Une fois que vous aurez eu l'occasion d'essayer votre nouvel aspirateur Simplicity, nous aimerions savoir ce que vous en pensez. N'hésitez pas à nous laisser votre avis. Cela ne prend que quelques minutes et nous aide à améliorer nos produits... et la propreté de votre maison.

Simplicity[®] VACUUMS

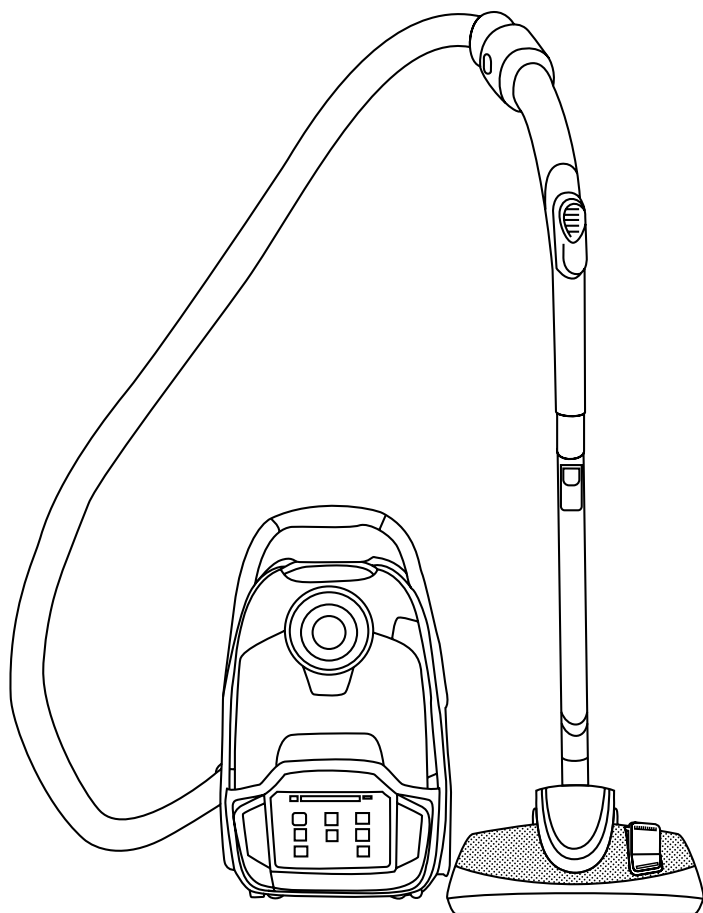
888-974-6759
1760 Gilsinn Lane
Fenton, MO 63026

Simplicity[®]

VACUUMS

Scout

Manual del propietario



SCOUT

Pasos iniciales

| | |
|--|---|
| Importantes instrucciones de seguridad | 2 |
| Instrucciones de polarización | 3 |
| Identificación de piezas | 4 |

Montaje

| | |
|-------------------------|---|
| Manguera flexible | 5 |
| Mango | 5 |

Accesorios

| | |
|--------------------------------------|---|
| Accesorio combinado para pisos | 6 |
| Accesorio de limpieza 3 en 1 | 6 |
| Accesorio para tapicería | 7 |
| Boquilla para rendijas | 7 |
| Cepillo para polvo | 7 |

Controles

| | |
|-----------------|---|
| Controles | 8 |
|-----------------|---|

Instrucciones

| | |
|---|---|
| Uso del botón de rebobinado de cable y el botón de encendido/apagado en espera | 9 |
|---|---|

Mantenimiento

| | |
|--|----|
| Almacenamiento de la aspiradora | 12 |
| Sustitución de la bolsa para polvo | 12 |
| Reemplazo del filtro previo al motor | 13 |
| Reemplazo del filtro de escape HEPA | 14 |

Solución de problemas

| | |
|---------------------------------|----|
| Solución de problemas | 17 |
| Para un mejor rendimiento | 17 |

Información de garantía

| | |
|---------------------------|----|
| Regístrese en línea | 18 |
|---------------------------|----|

IMPORTANTES INSTRUCCIONES DE SEGURIDAD

LEA Y COMPRENDA TODAS LAS INSTRUCCIONES ANTES DE UTILIZAR ESTA UNIDAD.

Esta aspiradora debe usarse de acuerdo con estas instrucciones y solo en la limpieza doméstica del hogar para eliminar la suciedad SECA y el polvo de las alfombras, pisos, paredes y telas del hogar. Esta aspiradora no es apta para usarse como limpiador industrial y anulará la garantía del fabricante si se usa de manera inapropiada.

Lea atentamente estas instrucciones. Esto asegurará que obtenga todos los beneficios de su nueva aspiradora. Guarde este manual del propietario en un lugar conveniente y seguro para referencia futura.

IMPORTANTE:

El fabricante no se hace responsable de los daños causados cuando el electrodoméstico no se utiliza de acuerdo con las instrucciones, o se usa para tareas distintas a las previstas.

ADVERTENCIA: Para reducir el riesgo de incendio, descarga eléctrica, daños o lesiones:

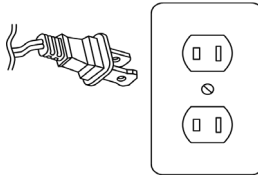
- Vacíe la bolsa cuando el indicador de bolsa llena se ponga en rojo. Llenar demasiado la bolsa puede provocar que la suciedad y los desechos obstruyan la aspiradora y provoquen una pérdida de succión.
- Desenchufe siempre la aspiradora de la toma de corriente antes de reemplazar la bolsa o los filtros.
- No se aleje del electrodoméstico cuando esté enchufado. Desenchufe la aspiradora de la toma de corriente cuando no esté en uso y antes de hacerle el mantenimiento.
- **ADVERTENCIA: SE PUEDEN PRODUCIR DESCARGAS ELÉCTRICAS SI SE UTILIZA AL AIRE LIBRE O EN SUPERFICIES MOJADAS.**
- No permita que se utilice como juguete. Es necesario prestar mucha atención cuando sea utilizado por niños o cerca de ellos.
- Úselo únicamente como se describe en este manual. Utilice únicamente los accesorios recomendados por el fabricante.
- No lo utilice con un cable o enchufe dañado. Si el electrodoméstico no funciona como debiera, se ha caído o dañado, se ha dejado al aire libre o se ha caído al agua, devuélvalo a su Distribuidor autorizado para su reparación.
- No desenchufe tirando del cable. Para desenchufar, agarre el enchufe, no el cable.
- No manipule el enchufe ni el aparato con las manos mojadas.
- No lo jale ni lo transporte sosteniéndolo del cable, no use el cable como mango, no apriete el cable con una puerta ni tire del cable alrededor de bordes o esquinas afilados. No pase el electrodoméstico sobre el cable. Mantenga el cable alejado de superficies calientes.
- No introduzca ningún objeto en las aberturas. No lo use si alguna de sus aberturas está bloqueada; manténgalo libre de polvo, pelusa, cabello y cualquier cosa que pueda reducir el flujo de aire.
- Mantenga el cabello, la ropa holgada, los dedos y todas las partes del cuerpo alejados de las aberturas y las partes móviles.
- No recoja nada que se esté quemando o que esté humeando, como cigarrillos, fósforos o cenizas calientes.
- No lo use sin la bolsa o los filtros en su lugar.
- Apague todos los controles antes de desenchufar.
- No lo use para recoger líquidos inflamables o combustibles como la gasolina, ni en áreas donde estos productos puedan estar presentes.
- No intente reparar la unidad mientras el electrodoméstico está enchufado.
- No utilice la aspiradora para recoger agua o cualquier material húmedo.
- Tenga especial cuidado al limpiar escaleras.
- Siempre apague y desenchufe la aspiradora antes de conectar o desconectar la manguera, el tubo o el accesorio para pisos.
- Sostenga el enchufe cuando rebobine el carrete del cable. No permita que el enchufe se agite al rebobinar.

GUARDE ESTAS INSTRUCCIONES

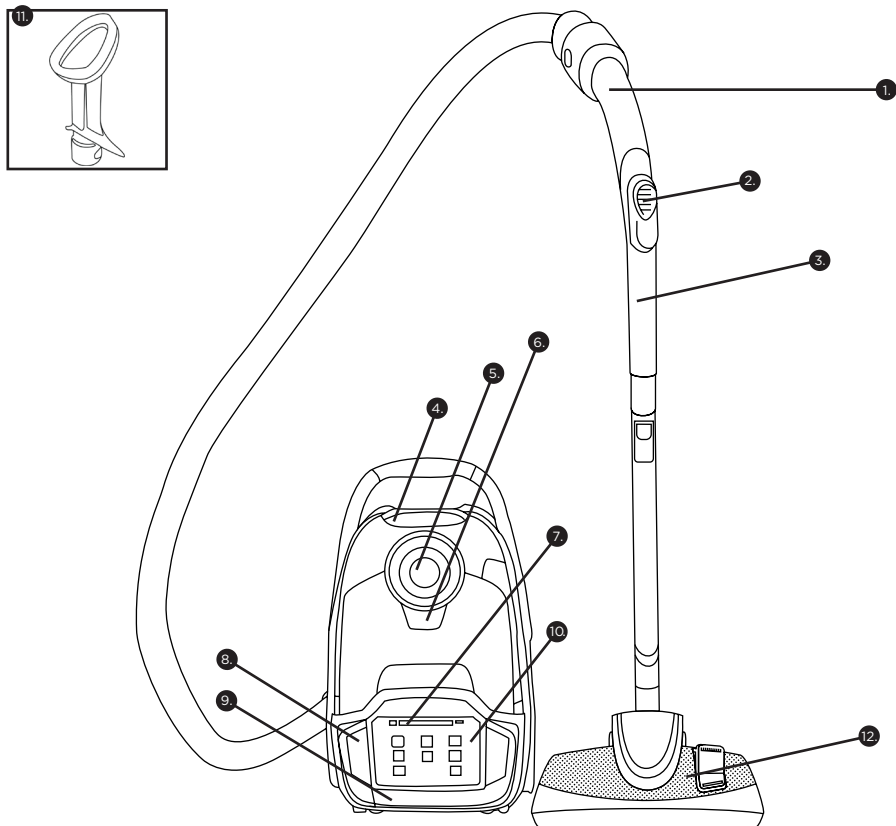
INSTRUCCIONES DE POLARIZACIÓN

Cable de alimentación, cable polarizado de 2 hilos

Para reducir el riesgo de descarga eléctrica, la aspiradora está equipada con un enchufe de cable de corriente alterna polarizada (un enchufe que tiene una clavija más ancha que la otra). Este enchufe encajará en la toma de corriente de una sola manera. Esta es una característica de seguridad. Si no puede insertar el enchufe completamente en la toma de corriente, intente invertir el enchufe. Si el enchufe aún no encaja, comuníquese con un electricista calificado para reemplazar la toma de corriente obsoleta. No anule el propósito de seguridad del enchufe polarizado.



IDENTIFICACIÓN DE PIEZAS

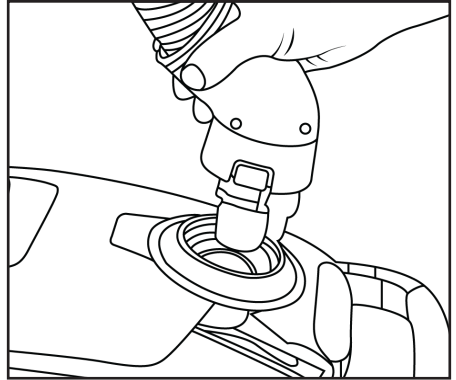


- | | |
|--|--|
| (1) Mango | (8) Botón de encendido/ apagado en espera |
| (2) Regulador de flujo de aire de succión (en el mango) | (9) Liberación del filtro de escape Boquilla de botón |
| (3) Tubo telescópico | (10) Botón de rebobinado del cable |
| (4) Pestillo de la cubierta de la bolsa para polvo | (11) Accesorio de limpieza 3 en 1 |
| (5) Entrada de aire | (12) Accesorio combinado para pisos |
| (6) Liberación de la cubierta de accesorios Botón | |
| (7) Indicador de bolsa para polvo llena | |

¡IMPORTANTE! ¡Retire siempre el cable de alimentación de la fuente de alimentación antes de instalar o retirar accesorios!

Manguera flexible

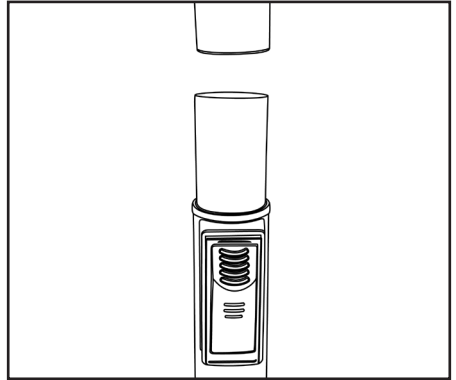
- Acople: inserte la manguera flexible en la entrada de aire de la aspiradora. Presione hasta que encaje en su posición. (Fig. 1)
- Desacople: presione los dos botones y tire suavemente para liberar la manguera flexible. (Fig. 1)



(Fig. 1)

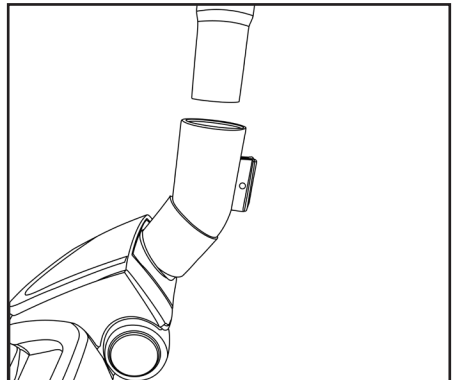
Mango

- Inserte suavemente el mango en el tubo telescópico. (Fig. 2)



(Fig. 2)

- Coloque el accesorio para pisos en el piso e inserte suavemente el tubo en el accesorio.

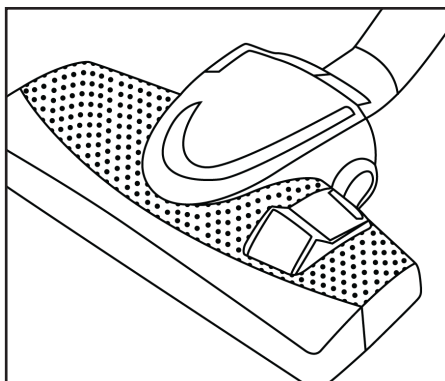


(Fig. 3)

ACCESORIOS

Accesorio combinado para pisos

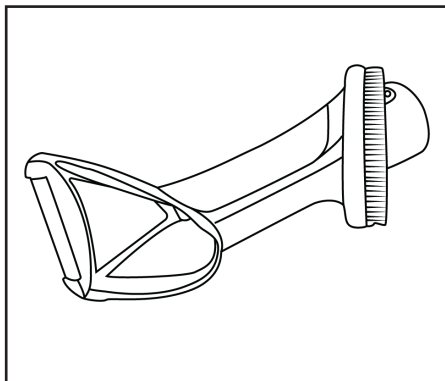
Este accesorio combinado multiuso para pisos cambia fácilmente de un accesorio de limpieza de alfombras a un accesorio para pisos duros. (Fig. 4)



(Fig. 4)

Accesorio de limpieza 3 en 1

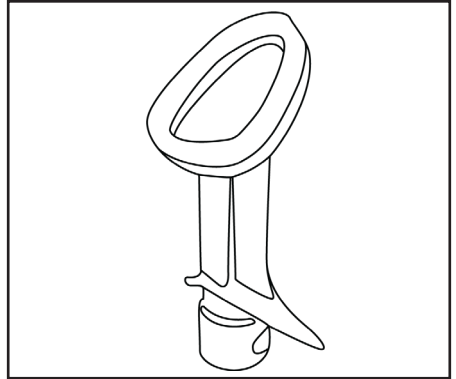
Combina un accesorio para grietas, un accesorio para tapicería y un cepillo para polvo, todo en un solo accesorio, para una limpieza conveniente. Para usar el accesorio de limpieza 3 en 1 como accesorio para tapicería o como cepillo para polvo, simplemente quite el accesorio para rincones e insértelo en el extremo opuesto del accesorio que le gustaría usar. (Fig. 5)



(Fig. 5)

Accesorio para tapicería

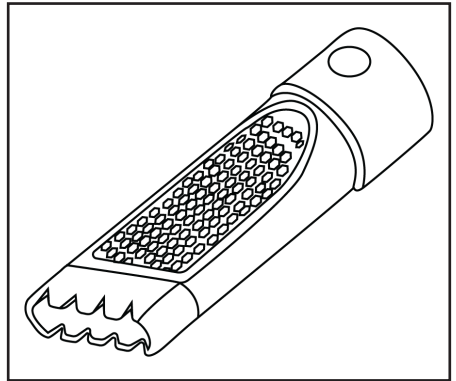
Para aspirar muebles y tapizados.
(Fig. 6)



(Fig. 6)

Boquilla para rendijas

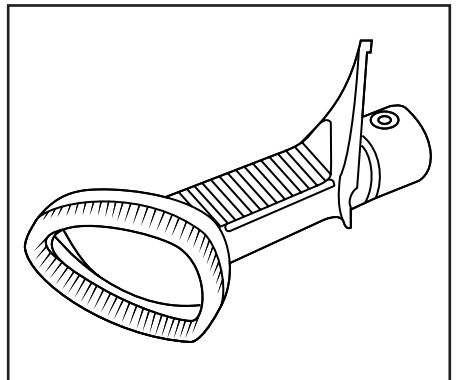
Elimina el polvo de lugares de difícil acceso.
(Fig. 7)



(Fig. 7)

Cepillo para polvo

Ideal para limpiar persianas, estanterías y pantallas de lámparas.
(Fig. 8)



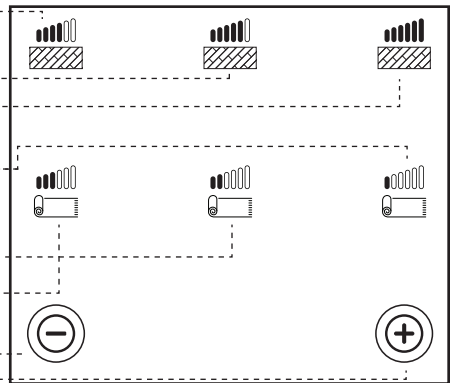
(Fig. 8)

CONTROLES

La potencia de succión se puede regular utilizando el control de potencia digital para lograr resultados de limpieza óptimos. Para cambiar la potencia de succión para adaptarla a una tarea de limpieza en particular, presione el botón de aumento de potencia para aumentar la potencia de succión, y para reducir la potencia de succión, presione el botón de disminución de potencia.

El indicador de la bolsa para polvo parpadeará continuamente en rojo para indicar que es necesario reemplazar la bolsa para polvo o para indicar que hay un bloqueo. (Fig. 9)

- Succión de baja potencia (pisos duros y tapicería)
- Succión de potencia media (pisos duros y tapicería)
- Succión de alta potencia (pisos duros y tapicería)
- Succión de baja potencia (pantallas de lámparas/cortinas)
- Succión de potencia media (pantallas de lámparas/cortinas)
- Succión de alta potencia (pantallas de lámparas/cortinas)
- Botón de disminución de potencia
- Botón de aumento de potencia



(Fig. 9)

Nota: En los dos ajustes más bajos, el indicador de la bolsa para polvo no parpadea.

Uso del botón de rebobinado de cable y el botón de encendido/apagado en espera

Botón de encendido/apagado en espera (Fig. 10)

1. Desenrolle una longitud suficiente de cable de alimentación. La marca amarilla en el cable de alimentación muestra la longitud recomendada del cable. NO extienda el cable más allá de la marca roja.
2. Inserte el cable en la toma de corriente.
3. Presione el botón de encendido/apagado en espera para poner la aspiradora en modo de espera.

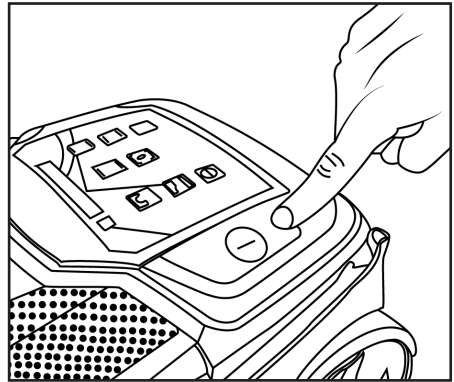
4. Para encender la aspiradora:

- Presione los botones de reducción de potencia o aumento de potencia en el panel de control de potencia digital.

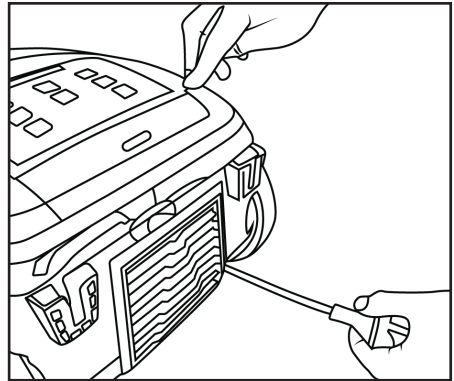
Rebobinar (Fig. 11)

1. Pulse el botón de encendido/apagado para apagar la aspiradora.
2. Desconecte el cable de la toma de corriente.
3. Para rebobinar el cable de alimentación, presione el botón de rebobinado con una mano y guíe el cable con la otra mano para asegurarse de que quede parejo.

Nota: No desenchufe tirando del cable. Para desenchufar, sujete el enchufe, no el cable de alimentación, y tire suavemente del enchufe para extraerlo de la toma de corriente.



(Fig. 10)



(Fig. 11)

Almacenamiento de la aspiradora

Cuando no esté en uso, asegúrese de que la aspiradora esté desconectada de la fuente de alimentación y que el cable esté completamente retraído. El accesorio de piso combinado se puede guardar en los portaccesorios para accesorios de piso. Otros accesorios de piso deben almacenarse por separado.

Sustitución de la bolsa para polvo

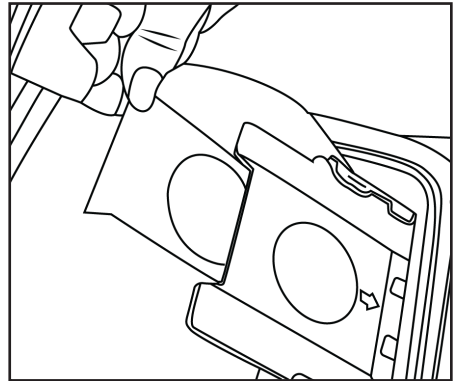
¡IMPORTANTE! Asegúrese de que la aspiradora esté desconectada de la fuente de alimentación cuando instale o retire la bolsa para polvo.

Nota: Utilice únicamente la bolsa para polvo suministrada o recomendada por el fabricante para evitar dañar la máquina y anular la garantía.

(Fig. 12)

Siempre opere la aspiradora con la bolsa para polvo instalada. Si olvida instalar o instala incorrectamente la bolsa para polvo, es posible que la cubierta de la bolsa para polvo no se cierre por completo.

- Retire la manguera de la entrada de aire.
- Abra la cubierta tirando del pestillo de la cubierta de la bolsa para polvo.
- Para evitar que el polvo y la suciedad se escapen al retirar la bolsa para polvo de la máquina, sostenga firmemente la bolsa para polvo en el soporte de la bolsa para polvo y tire suavemente del sello de la bolsa para polvo.
- Coloque una nueva bolsa para polvo insertando el collar de la bolsa para polvo en el soporte de la bolsa para polvo. Asegúrese de que la flecha en el collar de la bolsa para polvo mire hacia abajo cuando se inserte en el soporte de la bolsa para polvo.



(Fig. 12)

Nota: La bolsa para polvo ha sido diseñada con un sello para evitar que el polvo y los residuos se escapen cuando se retira la bolsa para polvo de la aspiradora.

- Cierre suavemente la cubierta, escuchará un 'clíc' cuando se cierre correctamente.

Nota: Asegúrese de que la bolsa para polvo esté completamente insertada en el soporte de la bolsa para polvo antes de cerrar la tapa para evitar que se escape polvo de la bolsa.

Reemplazo del filtro previo al motor

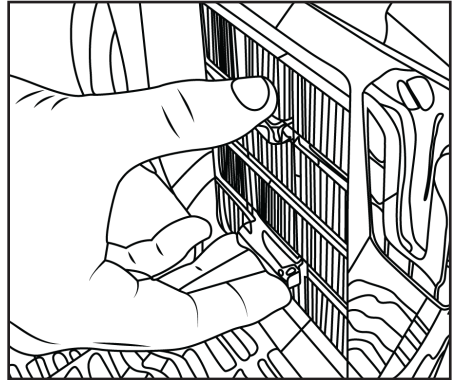
¡¡IMPORTANTE! Asegúrese de que la aspiradora esté desconectada de la fuente de alimentación antes de realizar cualquier procedimiento de mantenimiento.

El filtro previo al motor debe reemplazarse cada seis meses o cuando esté visiblemente sucio. Siempre opere la aspiradora con filtros limpios; de lo contrario, podría haber una reducción en la potencia de succión o podría dañarse el motor.

Nota: No use una lavadora para lavar el filtro o un secador de pelo para secar el filtro.

- Extraiga el conjunto del soporte del filtro.
- Reemplácelo con un filtro nuevo.

(Fig. 13)



(Fig. 13)

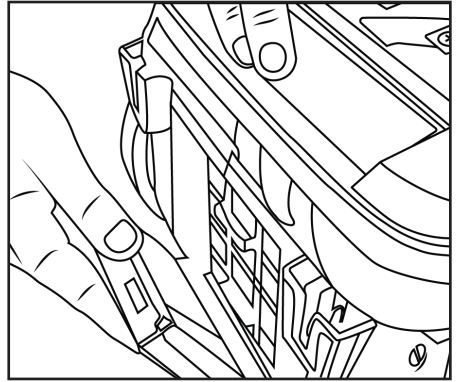
MANTENIMIENTO

Reemplazo del filtro tipo HEPA de escape

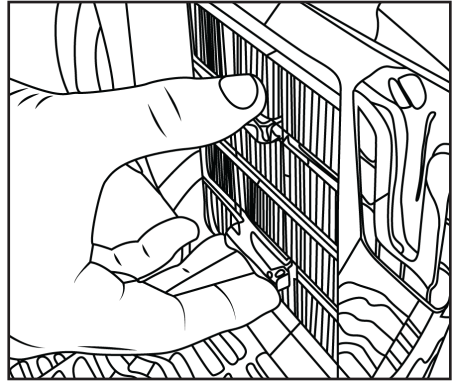
¡IMPORTANTE! Asegúrese de que la aspiradora esté desconectada de la fuente de alimentación antes de realizar cualquier procedimiento de mantenimiento.

El filtro tipo HEPA de escape está instalado detrás de la rejilla de salida de aire. Este filtro es lavable. Cuando se vea polvo o suciedad en la superficie del filtro, se debe reemplazar el filtro o lavarlo con agua tibia para mantener un rendimiento óptimo. Se recomienda reemplazar el filtro cada 6 meses o cuando esté visiblemente sucio. Esto puede variar dependiendo de la frecuencia de uso. Asegúrese de que todos los filtros se hayan instalado correctamente en la máquina antes de su uso.

- Presione el botón de liberación del filtro de escape para acceder al filtro tipo HEPA de escape. (Fig. 14)
- Retire el filtro tirando de las pestañas del filtro como se muestra. (Fig. 15)



(Fig. 14)



(Fig. 15)

SOLUCIÓN DE PROBLEMAS

| Problema | Punto de comprobación | Solución posible |
|---|---|---|
| La aspiradora no enciende. | Cable de alimentación | Inserte el enchufe de alimentación firmemente en una toma de corriente |
| La potencia de succión es débil. | Bolsa Manguera o tubo obstruido | Reemplace si la bolsa está llena. Retire la obstrucción. |
| La aspiradora hace un sonido anormal cuando está encendida. | Rodillo del cepillo Manguera obstruida | Apague inmediatamente. Verifique que no haya obstrucciones. Elimine cualquier obstrucción que pueda encontrar. Compruebe que el accesorio esté instalado de forma segura. |
| Cualquier otro servicio debe ser realizado por un distribuidor autorizado de Simplicity Vacuum. Para localizar a su distribuidor autorizado más cercano, visite nuestro sitio web www.SimplicityVac.com o llame al 888-974-6759. | | |

PARA UN MEJOR RENDIMIENTO

- Utilice la máquina con bolsa, filtro previo al motor y filtro plisado.
- Mantenga el equipo y todos los accesorios limpios y en buenas condiciones de funcionamiento.
- Reemplace la bolsa cuando esté 2/3 llena. El número de bolsa de reemplazo es SSH-6.
- Revise y reemplace los filtros cada 6 meses o con mayor frecuencia si aspira polvos finos como harina o polvo de paneles de yeso.
- Utilice siempre filtros y piezas originales, ya que el uso de otros productos puede dar lugar a una limpieza o filtración deficiente. Los productos de filtración originales de Simplicity están diseñados para obtener el máximo rendimiento.
- Guarde la máquina en un área interior limpia y seca.
- Para obtener un rendimiento de limpieza y una seguridad óptimos, siga las instrucciones de este manual del propietario.

INFORMACIÓN DE GARANTÍA

Qué está cubierto:

Esta garantía cubre cualquier defecto de material y mano de obra de su nueva aspiradora Simplicity.

Duración de la cobertura:

La cobertura de garantía para esta aspiradora Simplicity dura un año. Los modelos domésticos utilizados comercialmente solo tienen una garantía de 90 días.

Simplicity[®]
VACUUMS



Simplicityvac.com/register-warranty

¿Cuál es la mejor manera de estar cubierto?

Es simple: registre su aspiradora Simplicity hoy y active su garantía.

¿Qué le parece su aspiradora?

Una vez que haya tenido tiempo de probar su nueva aspiradora Simplicity, queremos saber lo que piensa: deje un comentario sobre el producto. Solo le llevará unos minutos y nos ayudará a mejorar nuestros productos... y a que su casa esté más limpia.

Simplicity[®] VACUUMS

888-974-6759
1760 Gilsinn Lane
Fenton, MO 63026