

accomplish 2™

genuine♥collection

Instruction and Reference Guide Instruction et Guide de Référence Model/Modèle BL530B



FOR THE LOVE OF SEWING

To register your machine warranty and receive Baby Lock product updates and offers, go to babylock.com/login. If you have questions with registration, visit your Authorized Baby Lock Retailer.

Pour enregistrer la garantie de votre machine et recevoir les mises à jour et les offres des produits Baby Lock, rendez-vous sur babylock.com/profile. Si vous avez des questions concernant l'inscription, rendez-vous chez votre Revendeur Agréé Baby Lock.

Baby Lock Consumer Helpline: 800-313-4110 • www.BabyLock.com

Ligne d'Assistance Baby Lock aux Consommateurs: 800-313-4110 • www.BabyLock.com

INTRODUCTION

Thank you for purchasing this machine. Before using this machine, carefully read the “IMPORTANT SAFETY INSTRUCTIONS”, and then study this manual for the correct operation of the various functions.

In addition, after you have finished reading this manual, store it where it can quickly be accessed for future reference.

IMPORTANT SAFETY INSTRUCTIONS

Please read these safety instructions before attempting to use the machine.

DANGER - To reduce the risk of electrical shock

- 1** Always unplug the machine from the electrical outlet immediately after using, when cleaning, making any user servicing adjustments mentioned in this manual, or if you are leaving the machine unattended.

WARNING - To reduce the risk of burns, fire, electrical shock, or personal injuries.

- 2** Always unplug the machine from the electrical outlet when making any adjustments mentioned in this instruction manual.
 - To unplug the machine, switch the machine to the symbol “O” position to turn it off, then grasp the plug and pull it out of the electrical outlet. Do not pull on the cord.
 - Plug the machine directly into an electrical outlet. Do not use an extension cord.
 - Always unplug your machine if there is a power failure.

3 Electrical Hazards:

- This machine should be connected to an AC power source within the range indicated on the rating label. Do not connect it to a DC power source or inverter. If you are not sure what kind of power source you have, contact a qualified electrician.
- This machine is approved for use in the country of purchase only.

4 Never operate this machine if it has a damaged cord or plug, if it is not working properly, has been dropped or damaged, or water is spilled on the unit. Return the machine to the nearest authorized Baby Lock retailer for examination, repair, electrical or mechanical adjustment.

- While the machine is stored or in use if you notice anything unusual, such as an odor, heat, discoloration or deformation, stop using the machine immediately and unplug the power cord.
- When transporting the machine, be sure to carry it by its handle. Lifting the machine by any other part may damage the machine or result in the machine falling, which could cause injuries.
- When lifting the machine, be careful not to make any sudden or careless movements, which may cause a personal injury.

5 Always keep your work area clear:

- Never operate the machine with any air openings blocked. Keep ventilation openings of the machine and foot control free from the build up of lint, dust, and loose cloth.
- Do not store objects on the foot controller.
- Never drop or insert foreign objects in any opening.
- Do not operate where aerosol (spray) products are being used or where oxygen is being administered.
- Do not use the machine near a heat source, such as a stove or iron; otherwise, the machine, power cord or garment being sewn may ignite, resulting in fire or an electric shock.
- Do not place this machine on an unstable surface, such as an unsteady or slanted table, otherwise the machine may fall, resulting in injuries.

6 Special care is required while sewing:

- Always pay close attention to the needle. Do not use bent or damaged needles.
- Keep fingers away from all moving parts. Special care is required around the machine needle.
- Switch the machine to the symbol “O” position to turn it off when making any adjustments in the needle area.
- Do not use a damaged or incorrect needle plate, as it could cause the needle to break.
- Do not push or pull the fabric while sewing, and follow the instructions carefully when free motion stitching so that you do not deflect the needle and cause it to break.

7 This machine is not a toy:

- Your close attention is necessary when the machine is used by or near children.
- This product contains small parts. Keep the product out of the reach of children to prevent accidental ingestion of small parts.
- The plastic bag that this machine was supplied in should be kept out of the reach of children or disposed of. Never allow children to play with the bag due to the danger of suffocation.
- Do not use outdoors.

8 For a longer service life:

- When using and storing this machine, avoid direct sunlight and high humidity locations. Do not use or store the machine near a space heater, iron, halogen lamp, or other hot objects.
- Do not use cleansers or organic solvents, such as thinner, petroleum ether or alcohol, to clean the machine. Otherwise, the finish may peel off or become scratched.
- Always consult the Instruction and Reference Guide when replacing or installing any assemblies, the presser feet, needle, or other parts to assure correct installation.

9 For repair or adjustment:

- If the light unit is damaged, it must be replaced by an authorized Baby Lock retailer.
- In the event a malfunction occurs or adjustment is required, first follow the troubleshooting table in the back of the Instruction and Reference Guide to inspect and adjust the machine yourself. If the problem persists, please consult your local authorized Baby Lock retailer.

CAUTION

10 (For U.S.A. only)

This appliance has a polarized plug (one blade wider than the other). To reduce the risk of electrical shock, this plug is intended to fit in a polarized electrical outlet only one way. If the plug does not fit fully in the electrical outlet, reverse the plug. If it still does not fit, contact a qualified electrician to install the proper electrical outlet. Do not modify the plug in any way.

Use this machine only for its intended use as described in the manual.

Use accessories recommended by the manufacturer as contained in this manual.

The contents of this manual and specifications of this product are subject to change without notice.

For additional product information, visit our website at www.babylock.com

SAVE THESE INSTRUCTIONS

**This machine is intended
for household use.**

FOR USERS IN COUNTRIES EXCEPT EUROPEAN COUNTRIES


This appliance is not intended for use by persons (including children) with reduced physical, sensory or mental capabilities, or lack of experience and knowledge, unless they have been given supervision or instruction concerning use of the appliance by a person responsible for their safety. Children should be supervised to ensure that they do not play with the appliance.

FOR USERS IN EUROPEAN COUNTRIES

This appliance can be used by children aged from 8 years and above and persons with reduced physical, sensory or mental capabilities or lack of experience and knowledge if they have been given supervision or instruction concerning use of the appliance in a safe way and understand the hazards involved. Children shall not play with the appliance. Cleaning and user maintenance shall not be made by children without supervision.

FOR USERS IN THE UK, EIRE, MALTA AND CYPRUS ONLY

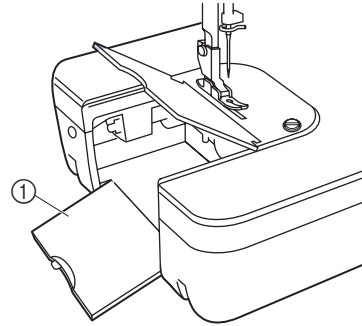
IMPORTANT

- In the event of replacing the plug fuse, use a fuse approved by ASTA to BS 1362, i.e. carrying the  mark, rating as marked on plug.
- Always replace the fuse cover. Never use plugs with the fuse cover omitted.
- If the available electrical outlet is not suitable for the plug supplied with this equipment, you should contact your authorized Baby Lock retailer to obtain the correct lead.

WARNING SIGN

The following warning sign is on the machine.

Be sure to observe the precautions described in the sign.



①

"CAUTION" – "Moving parts - To reduce risk of injury, Disconnect from supply circuit before Servicing. Replace cover"
"Close door before operating machine"
"ATTENTION" – "Fermer le couver
avant d'opérer la machine"

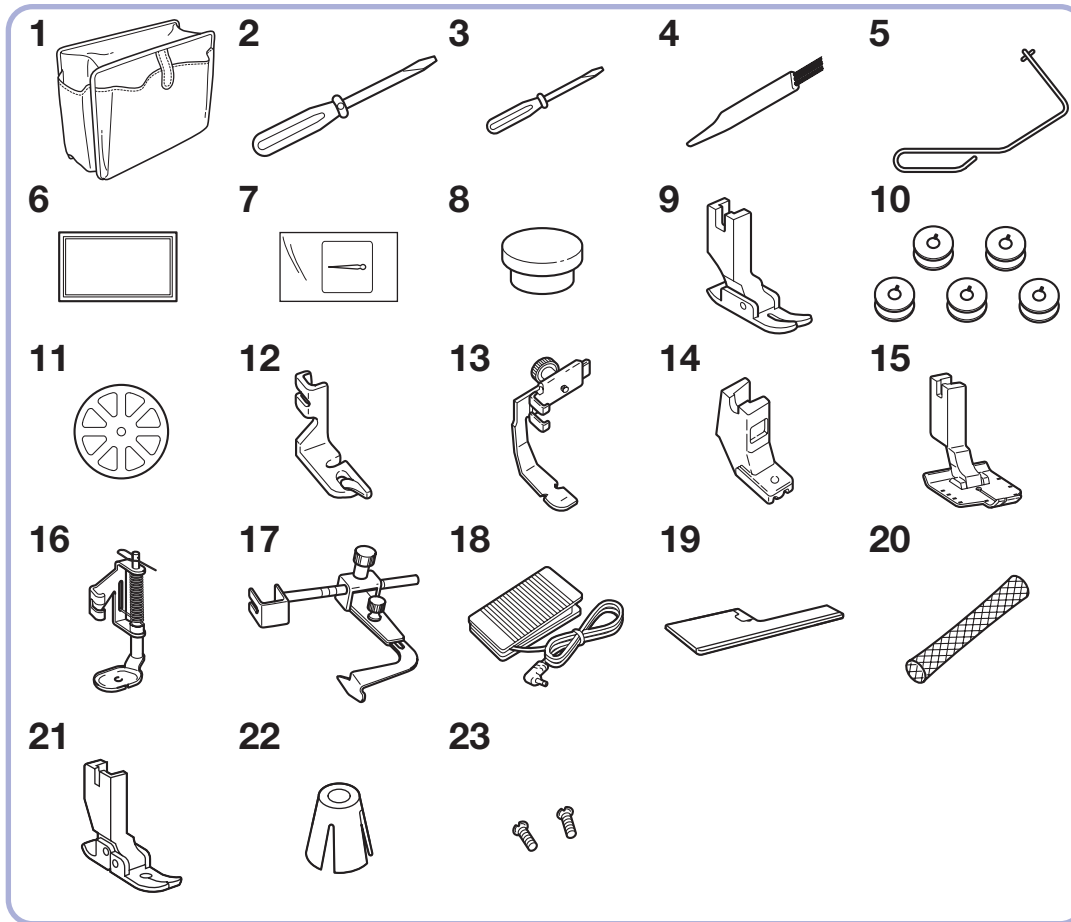
CAUTION

Moving parts - To reduce risk of injury, disconnect from supply circuit before servicing. Replace cover.
Close door before operating machine.

CONTENTS

INTRODUCTION	1	Stitch Samples and Needle Chart	18
IMPORTANT SAFETY INSTRUCTIONS	1	Stitch Samples	18
Accessories	6	Thread Tension.....	18
Machine Features	7	Changing Presser Feet	19
Before You Begin (1)	8	Changing Presser Feet (Zipper Foot).....	19
Power Cord and Foot Controller	8	Presser Feet	19
Main Power Switch	8	Basic Sewing (1)	20
Thread Tension Dial.....	8	Basic Sewing.....	20
Handwheel	8	Pin Feeding (for hard-to-handle fabrics)	20
Stitch Length Regulator	8	Basic Sewing (2)	21
Reverse Stitch Lever	8	Rolled Hem Foot	21
Presser Foot Lever	9	Basic Sewing (3)	22
Knee Lifter	9	Zipper Foot.....	22
Presser Foot Pressure Adjustment Dial.....	9	Invisible Zipper Foot.....	23
Fabric Extension Table	9	1/4" Foot	23
Before You Begin (2)	10	Free-Motion Quilting Foot	24
Thread Cutter Button	10	Pulling Up the Bobbin Thread	24
Needle Stop Position Button.....	10	Seam Guide	24
Feed Dog Adjustment Knob.....	10	Caring for Your Machine	25
Changing Needles	11	Cleaning the Machine	25
Changing the Needle	11	Lubrication Points	25
Changing the Feed Pin.....	11	Trouble Shooting	26
Winding/Installing the Bobbin	12	When the Safety Device is Operating	27
Bobbin Winding.....	12		
Bobbin Installation	14		
Upper Threading	15		
Upper Threading	15		
Upper Threading for Thick Fabrics or When Using Heavier Threads....	16		
Using the Needle Threader	17		
Using the Spool Net.....	17		

Accessories

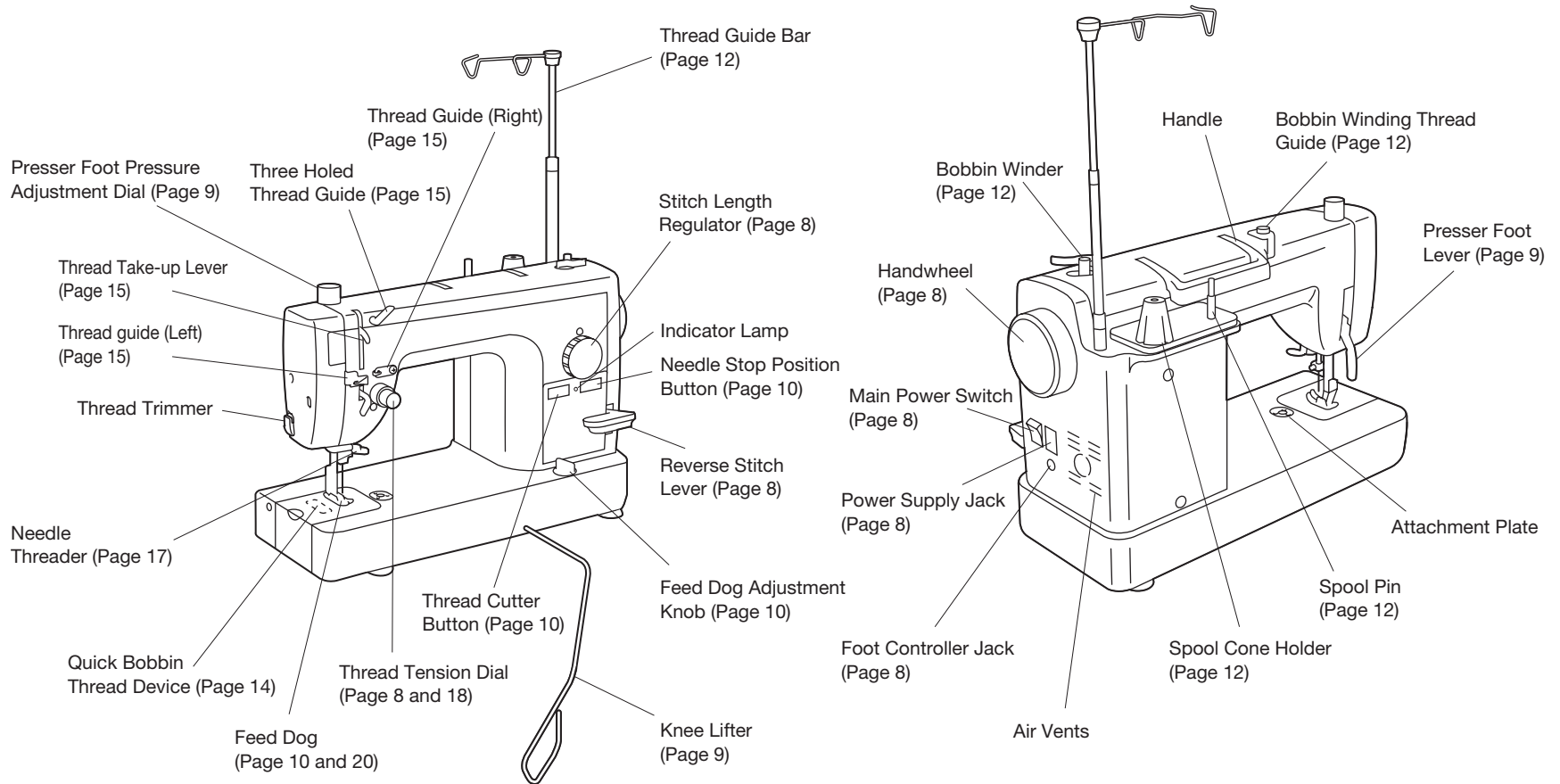


No.	Part Name	Part Code
1	Soft Cover	D02V2Y-001
2	Medium Screwdriver	XC9541-051
3	Small Screwdriver	X55468-051
4	Cleaning Brush	X59476-051
5	Knee Lifter	XA0830-051
6	Needles and Case (ORGAN HLX5) 1 Size 9, 2 Size 11, 1 Size 14, 1 Size 16, 1 Ballpoint Needle	X80805-151
7	Feed Pin	138483-051
8	Feed Pin Changer	XC1407-051
9	General Purpose Foot	BLQP-GP
10	Bobbin (5)	BMP-BOB
11	Spool Cap	XA2111-050
12	Rolled Hem Foot	BLQP-RH
13	Zipper Foot	BLQP-ZF
14	Invisible Zipper Foot	BLQP-IZF
15	1/4" Foot	BLQP-QF
16	Free-Motion Quilting Foot	BLQP-FM
17	Seam Guide	BLQP-SG
18	Foot Controller	XC8816-071
19	Fabric Extension Table	XC3117-052
20	Spool Net	XA5523-050
21	Flex Reaction Foot (on machine)	BLQP-FR
22	Spool Cone Holder (on machine)	XF2071-002
23	Screw (2) * Keep these screws in a safe place, as you will need them when using optional accessories.	062670-817

Note

- (For U.S.A. only) Foot controller: Model T
This foot controller is used for sewing machine model BL530B.
- Visit our website <https://babylock.com/machines/sewing/accomplish2/accessories> to view optional attachments that can be used with this machine.

Machine Features



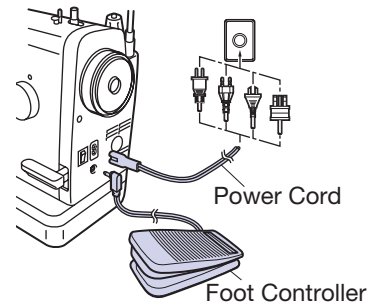
Before You Begin (1)

Power Cord and Foot Controller

⚠ WARNING

Please use common household current.

- Attach power cord.
- Insert foot controller jack into machine.
- When you press the foot controller down lightly, the machine will run at a low speed. When more pressure is applied to foot controller, the machine's speed will increase. When you remove your foot from the foot controller, the machine will stop.

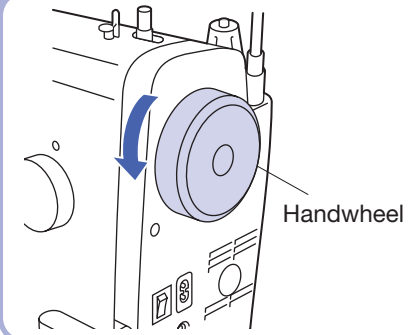


Handwheel

- Position needle using handwheel.
- * Always turn handwheel towards you.

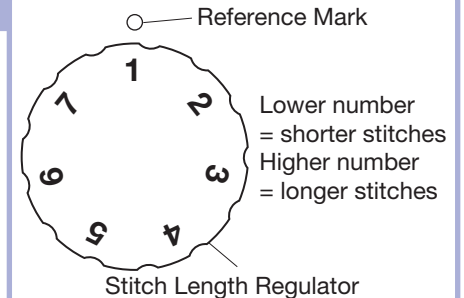
⚠ CAUTION

Be sure to keep the area under and around the needle clear.



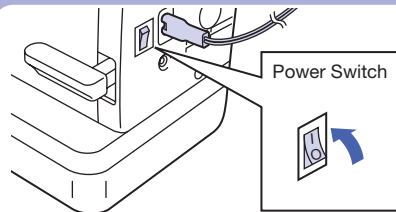
Stitch Length Regulator

- Adjust desired stitch length using stitch regulator dial.



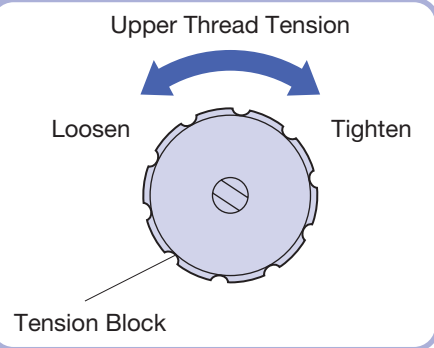
Main Power Switch

- Press power switch toward the "I" position to turn machine on.
- To turn the machine off, press the power switch toward the "O" position.



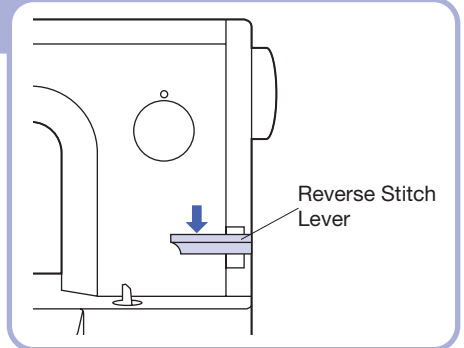
Thread Tension Dial

- When tighter thread tension is desired, turn the tension dial to the right. Upper and bobbin threads will meet on right side of the fabric.
- When looser thread tension is desired, turn tension dial to the left. Upper and lower threads will then meet on wrong side of fabric.



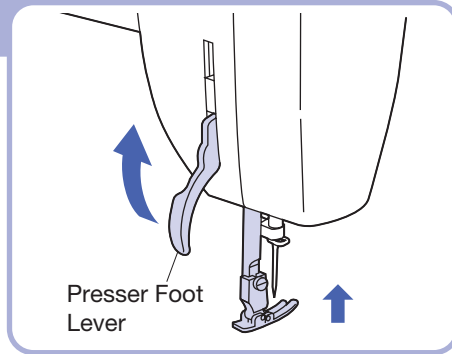
Reverse Stitch Lever

- Sewing in reverse is possible when the reverse stitch lever is in the lowered position.
- * Make sure to continuously press the lever to its lowest position when reverse sewing is desired.
- * When the stitch regulator dial is set between 5-7 mm, the reverse stitch length is always 5 mm.



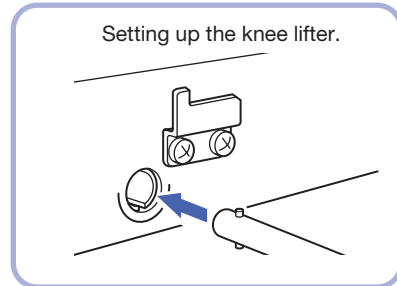
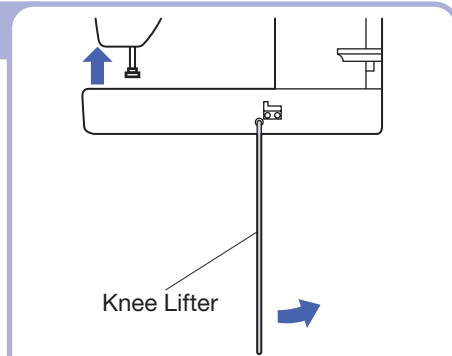
Presser Foot Lever

- Lowering the presser foot lever lowers the sewing foot down onto the fabric and engages the thread tension function.
- * When working with heavy fabrics or other fabrics that don't slide easily under the foot, raise the presser foot lever to position the fabric.

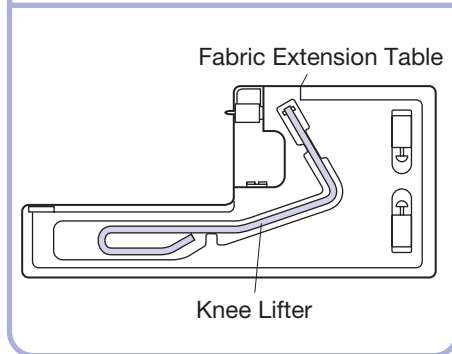


Knee Lifter

- Using the convenient knee lifter to lift and lower the presser foot easily, leaving both of your hands free.



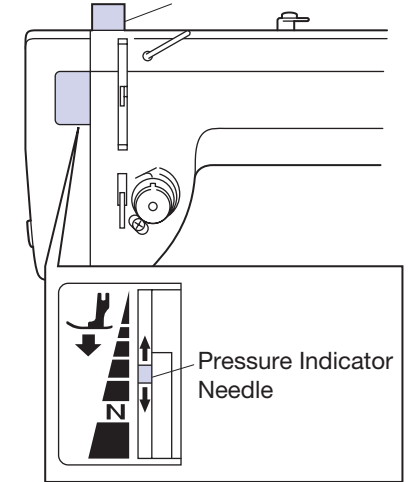
- * Push the knee lifter bar all the way into the socket.
- * When knee lifter is not in use, it can be stored beneath the fabric extension table.



Presser Foot Pressure Adjustment Dial

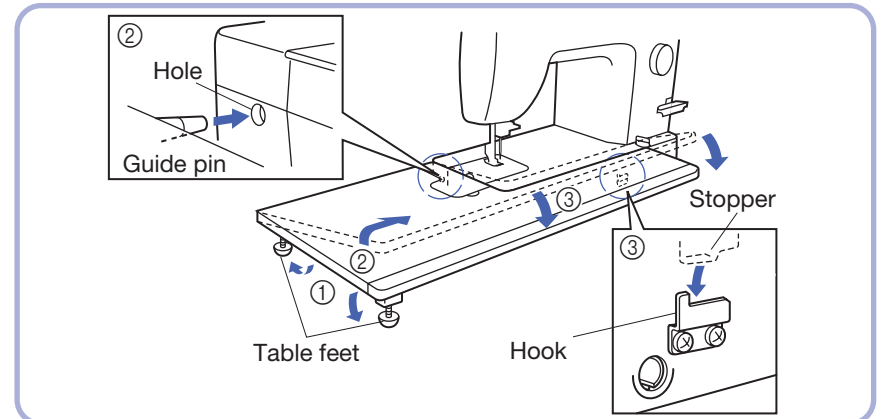
- Turning the pressure adjustment dial raises and lowers the pressure indicator needle as the amount of pressure on the presser foot changes. See also: "Feed Dog Adjustment Knob" on page 10.
- * See "Thread Tension" on page 18.
- * Coordinate the color coding for proper foot pressure and feed dog settings.

Presser Foot Pressure Adjustment Dial



Fabric Extension Table

- Lower the adjustable table feet and slide the fabric extension table on to the machine.



Before You Begin (2)

Thread Cutter Button

⚠ CAUTION

When the machine stops due to jammed threads and so forth, do not press on the foot controller; turn power off, and move the needle with the handwheel to check the situation. Otherwise broken needles could result.

- The thread cutter trims upper and bobbin threads at the end of seams.

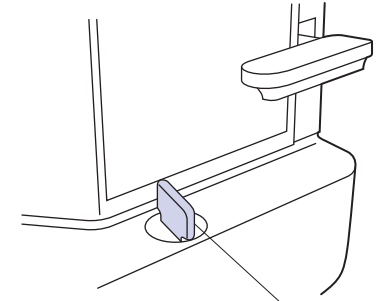


Thread Cutter Button

- * Ensure presser foot lever is down before using.

Feed Dog Adjustment Knob

- Height of feed dog can be adjusted to coincide with fabric weights.

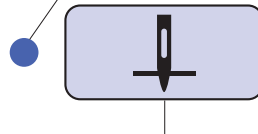


Feed Dog Adjustment Knob

Needle Stop Position Button

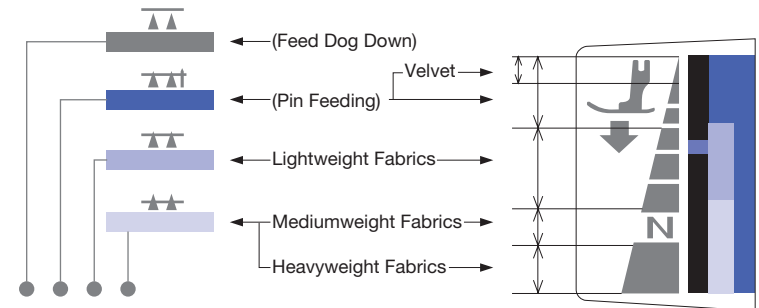
- When indicator lamp is lit up, the machine will stop sewing with the needle lowered through the fabric.
- When the indicator lamp is off, the machine will stop as soon as the foot controller is released at the end of stitching. In that case, the needle does not always stop in the same position.
- If the safety device is activated, for example if the thread becomes tangled, the indicator lamp flashes. (page 27)

Indicator Lamp




Needle Stop Position Button

Foot Pressure and Feed Dog Position



Select one of four feed dog positions according to your needs.

Note

- If a setting other than  is selected, the pin feed mechanism will not operate.
- Coordinate the color coding for proper foot pressure and feed dog settings.
- When activating the Pin Feed Mechanism, use only the Flex Reaction Foot or the General Purpose Foot.

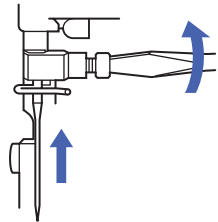
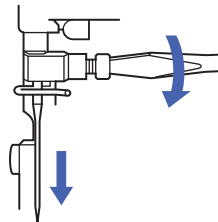
Changing Needles

⚠ CAUTION

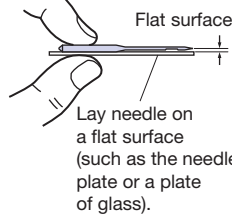
- Please make sure the power to the machine is turned off before carrying out the following operations. There is a chance of injury if the machine accidentally starts running during this operation.
- Only use recommended sewing machine needles. Use of any other needle may break the needle, possibly resulting in injury. (page 18)

Changing the Needle

- ① Turn the sewing machine off. Raise needle to highest position using handwheel, and lower the presser foot.
- ② Loosen screw with screwdriver, and remove needle.
- ③ Hold the needle with the flat side to the right, and insert the needle as far as it will go. Make sure needle is securely set in the needle chamber by screwing in tightly.



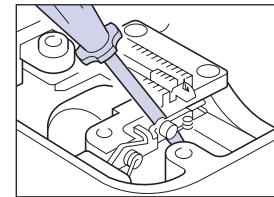
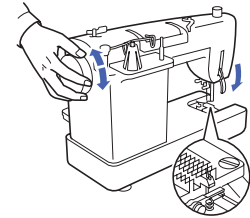
The needle should lay parallel to a surface.



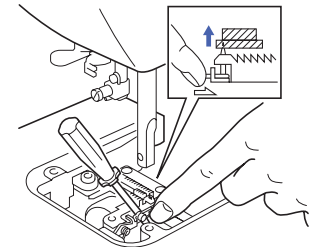
- * If the needle is not adequately inserted or the screw is loose, this may break the needle or cause a breakdown and the needle threader will not work.
- * Check needles on a flat surface to make sure they are not bent.

Changing the Feed Pin

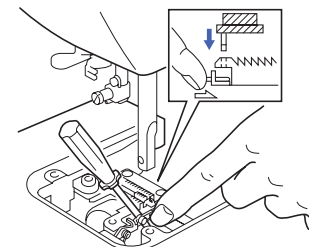
- ① Set the feed dog to the “velvet” position. (See page 10.)
- ② Remove needle (page 11), presser foot and needle plate (page 25).
- ③ Lower presser foot and turn handwheel until feed pin is in its highest position.
- ④ Insert small screwdriver (included) as shown in diagram.



- ⑤ While holding spring with fingertip, lower the feed pin changer onto the feed pin tip to pick it up.

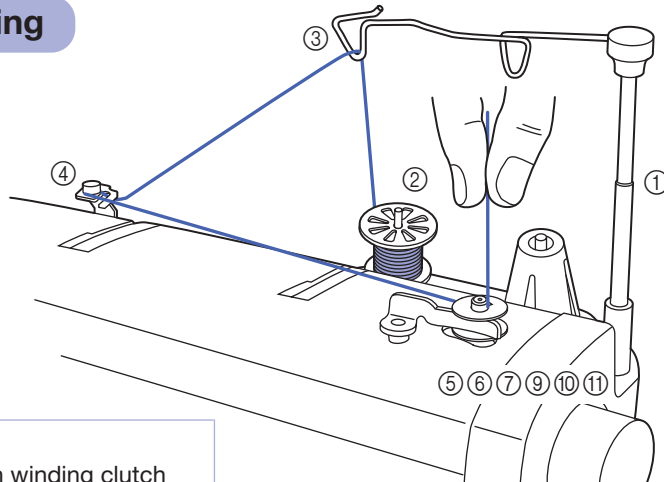


- ⑥ Attach new feed pin to feed pin changer, lower and attach while holding spring with fingertip.
- ⑦ Remove screwdriver.
- ⑧ Re-attach needle plate, needle and presser foot.



Winding/Installing the Bobbin

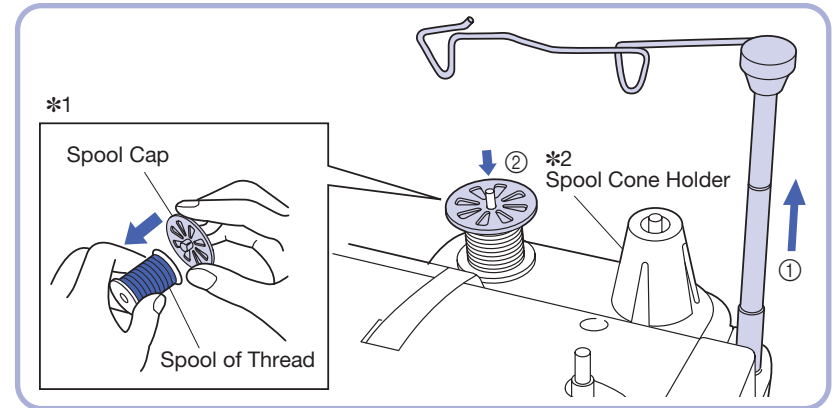
Bobbin Winding



⑤ - ⑪: See the following illustrations.

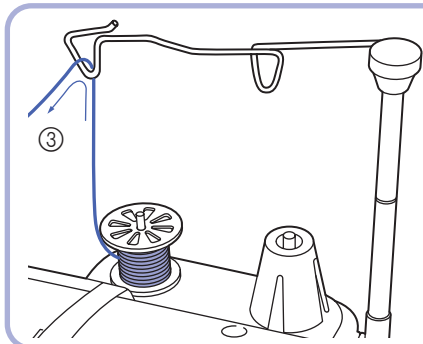
Note

Do not move bobbin winding clutch while machine is running.

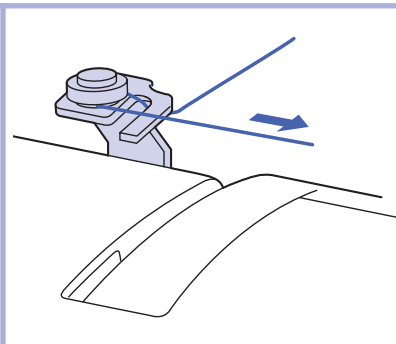


- ① Raise the thread guide bar all the way.
- ② Mount a spool of thread on the spool pin.

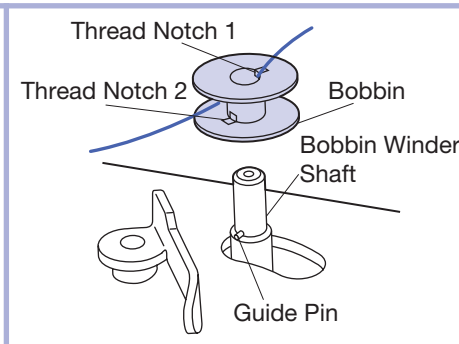
- *1 Use spool cap when using parallel-wound thread.
- *2 Use spool cone holder to stabilize cone shaped spools of thread.



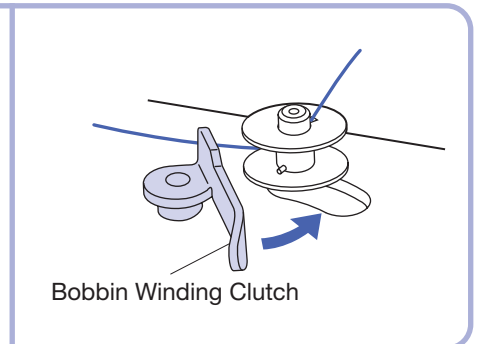
- ③ Pass the thread through the triangular hole.



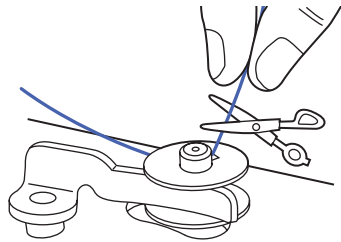
- ④ Pass thread through bobbin winding thread guide as shown in drawing.



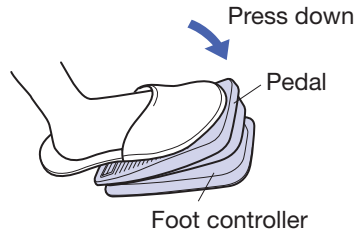
- ⑤ Run thread through top thread notch 1, and turning the bobbin align bottom thread notch 2 of the bobbin with guide pin on bobbin winder shaft.



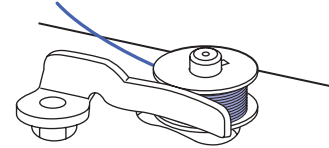
- ⑥ Press bobbin winding clutch up against empty bobbin. If the bobbin stop does not slide easily between the top and bottom of the bobbin, check that the bobbin is seated properly with the guide pin (⑤) inserted into the lower notch.



* Place the thread end so that it does not protrude from the bobbin.



* Pressing down on the foot controller harder increases the winding speed.

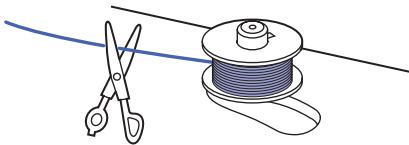


⑦ While holding the end of the thread, press on the foot controller for a few seconds. Once enough thread has wound itself around the bobbin to hold itself in place, release the foot controller and trim the excess thread.

⑧ Start winding the bobbin again by pressing down on the foot controller.

⑨ Stop winding process when bobbin is full. Remove your foot from the foot controller.

⑩ Manually move bobbin winding clutch back to original position.

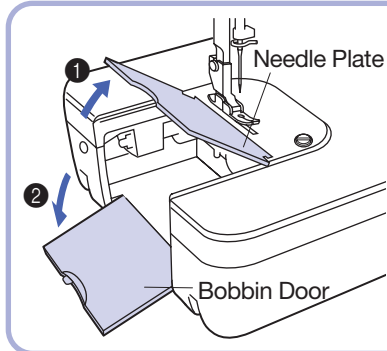


⑪ Cut thread and remove bobbin.

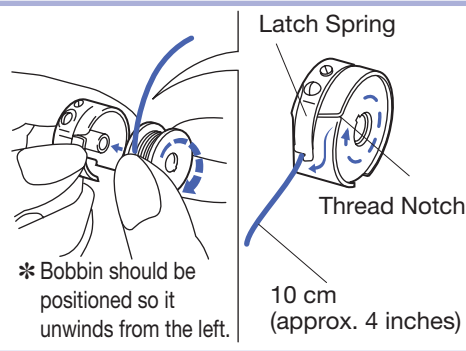
Bobbin Installation

CAUTION – Moving parts –

To reduce risk of injury, turn the power to the machine off before servicing. Open covers.



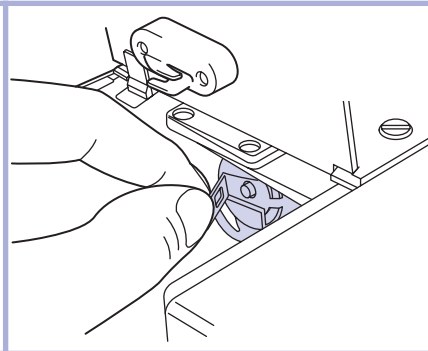
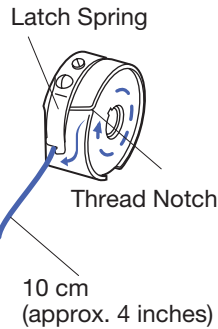
- ① Lift needle plate and open bobbin door.



* Bobbin should be positioned so it unwinds from the left.

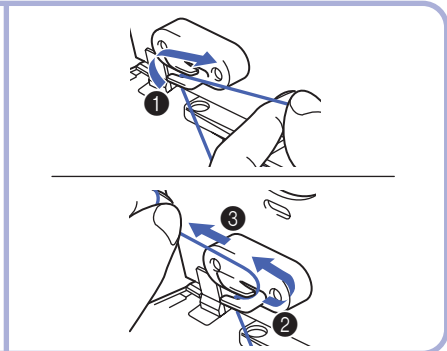
- ② Place bobbin inside the bobbin case.

- * Run thread through thread notch and under latch spring, so that a length of thread is exposed.
- * Always use the bobbin case that was supplied with this machine. A secondary bobbin case can be ordered from your Baby Lock retailer.

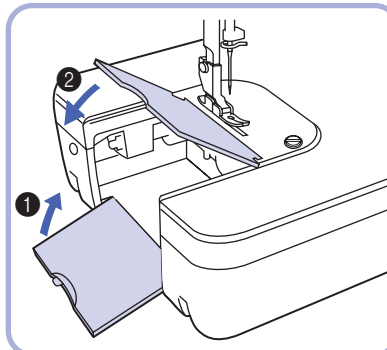


- ③ Pull the latch lever of the bobbin case out and push the bobbin case into the shuttle race and release the latch lever.

- * If the latch lever on the bobbin case is not set securely on the hook, it may fly off during sewing and cause lower thread breakage. Rotate the handwheel one full rotation towards you to check that the bobbin case is set securely.

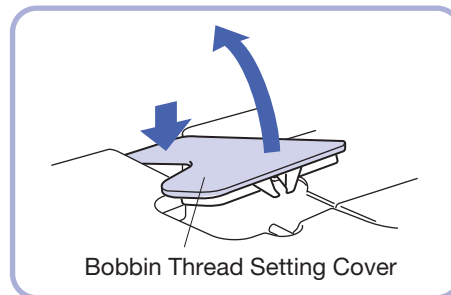


- ④ Pass the thread through the Quick Bobbin Thread Device in the order numbered ① ②, pull in the direction of the arrow ③, then cut the thread.



- ⑤ Lower slide plate and close bobbin door, following numbers ① ② above in order.

● When the fabric extension table is set in place



Open the bobbin thread setting cover beforehand, then following the above directions set the bobbin thread in place. (You can set the bobbin thread in place without removing the fabric extension table.)

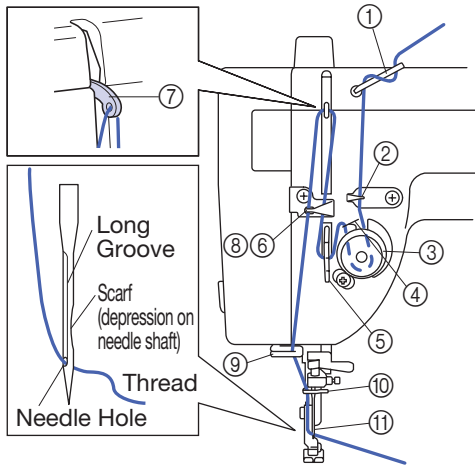
★ Quick Bobbin Thread Device
This device cuts the bobbin thread end to an appropriate length after the bobbin has been replaced and holds it at that length. Following this process eliminates the need to manually pull the bobbin thread through the hole in the needle plate. Simply close the bobbin case and continue the upper threading process.

Upper Threading

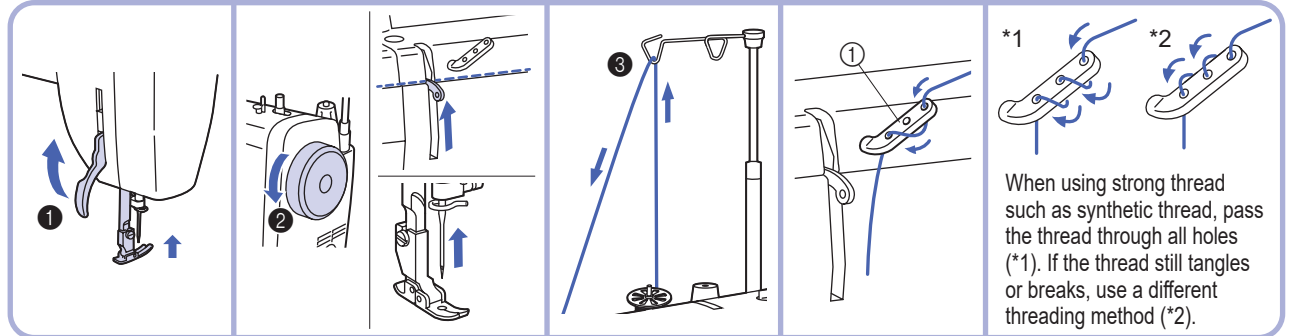
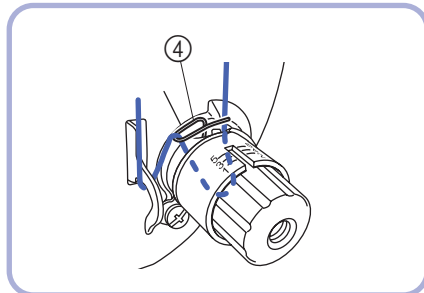
⚠ CAUTION

Turn off the power to the machine before threading the upper thread. Otherwise, it may cause injuries if you unintentionally press down on the foot controller.

Upper Threading

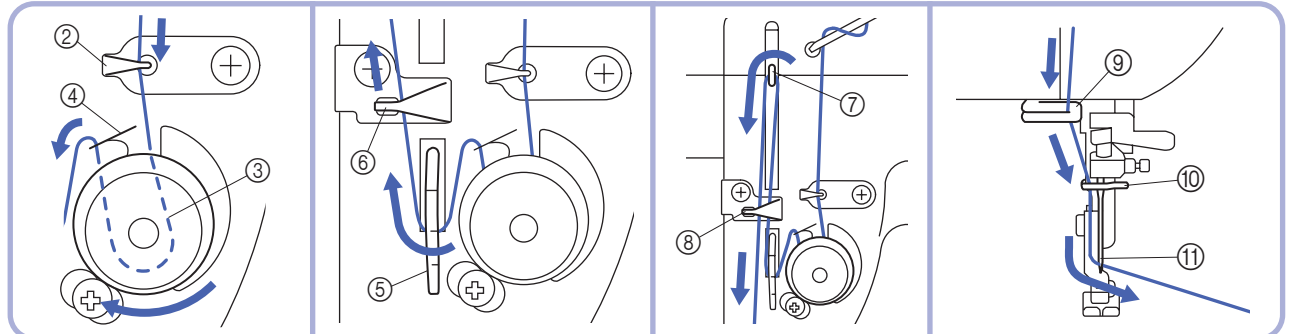


* Thread tension may not be adjusted adequately if the thread does not pass correctly through the take-up spring (4).



- * Before threading the machine, prepare it as described below.
- ① Raise the presser foot lever.
- ② Turn the handwheel toward you until the thread take-up lever is positioned as shown in the diagram. The needle is raised to its highest position.
- ③ Pass the thread through the triangular hole of the thread guide bar. (page 12)

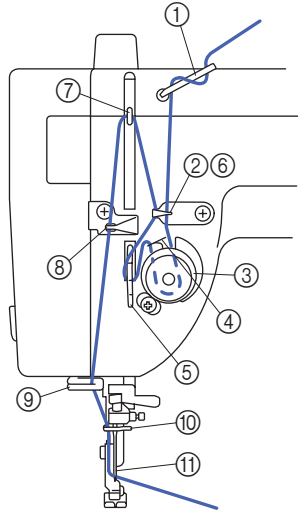
- ④ Starting with the hole on the right end, pass the thread through the holes in the three-holed thread guide from above.



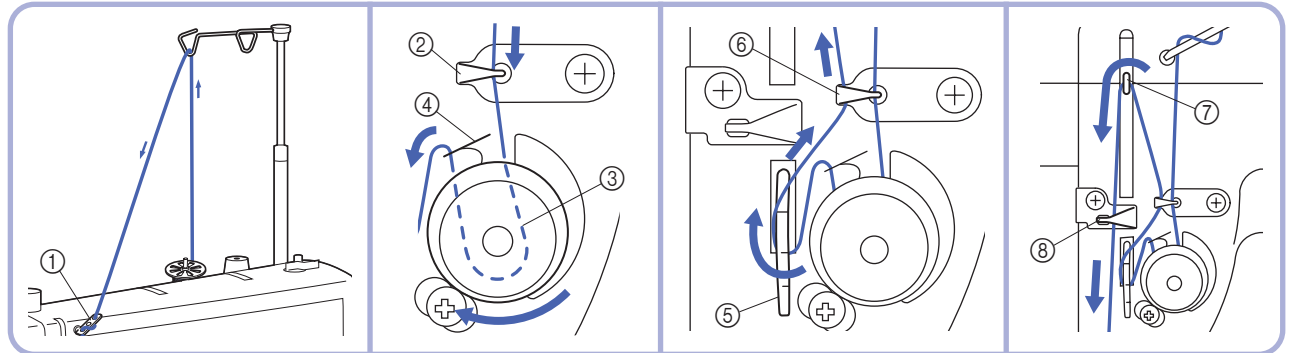
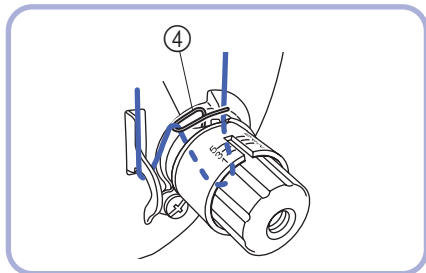
- ② Pass the thread through the thread guide (right).
- ③ Pass the thread clockwise around the thread tension dial.
- ④ Pass the thread through the thread take-up spring.
- ⑤ Pass the thread through the thread guide (lower).
- ⑥ Pass the thread through the thread guide (left).
- ⑦ Pass the thread through the thread take-up lever from right to left.
- ⑧ Pass the thread through the thread guide (left).
- ⑨ Pass the thread through the thread guide.
- ⑩ Pass the thread behind the needle bar thread guide.
- ⑪ Pass the thread through the needle from left to right. * For details on using the needle threader, refer to page 17.

Upper Threading for Thick Fabrics or When Using Heavier Threads

For a tighter upper thread, such as when sewing thick fabrics or using heavier threads, thread the machine as described below.



* Thread tension may not be adjusted adequately if the thread does not pass correctly through the take-up spring (4).

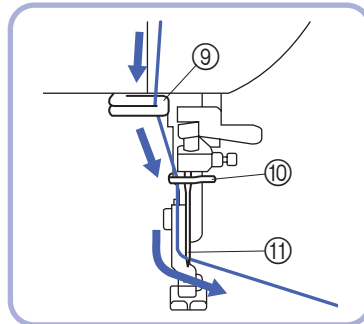


① Refer to page 15 to thread the three-holed thread guide.

② Pass the thread through the thread guide (right).
③ Pass the thread clockwise around the thread tension dial.
④ Pass the thread through the thread take-up spring.

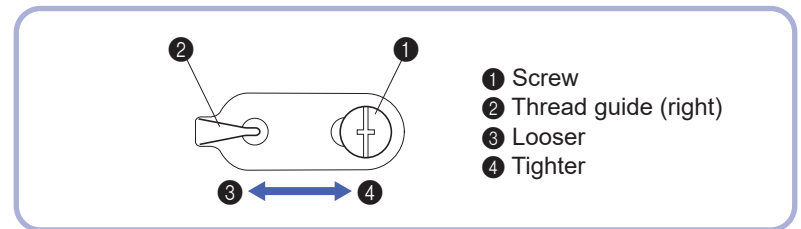
⑤ Pass the thread through the thread guide (lower).
⑥ Pass the thread through the thread guide (right) again.

⑦ Pass the thread through the thread take-up lever from right to left.
⑧ Pass the thread through the thread guide (left).



⑨ Pass the thread through the thread guide.
⑩ Pass the thread behind the needle bar thread guide.
⑪ Pass the thread through the needle from left to right.

* For details on using the needle threader, refer to page 17.



The upper thread tension can be adjusted by sliding the thread guide (right) to the left or right. Loosen the screw, and then slide the thread guide (right) to the desired position. Once the thread guide is in the desired position, tighten the screw to secure the guide.

General thread tension is adjusted with the thread tension dial. Refer to page 18.

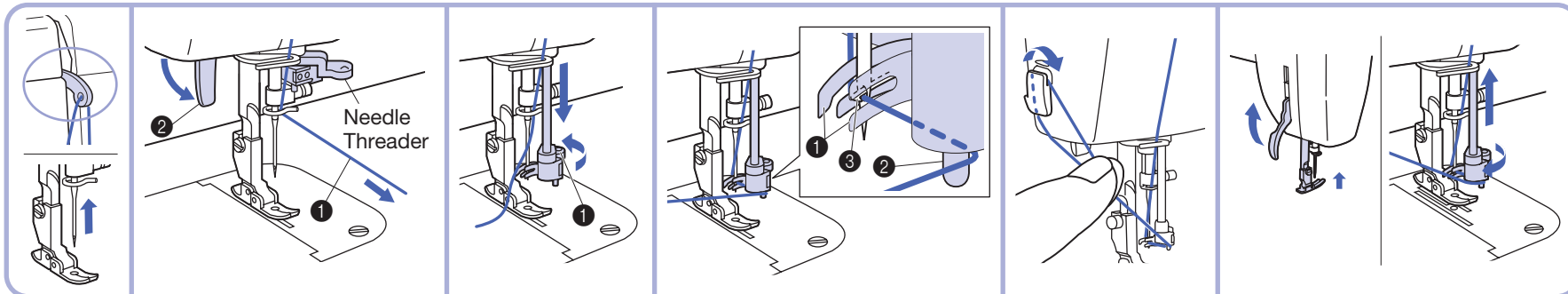
* Use the appropriate needle for the thread or topstitch needle, when using heavier threads. Adjust stitch length and tension as needed.

⚠ CAUTION

Be sure to turn off the power before using the needle threader. There is a risk of injury if you accidentally step on the foot controller.

Using the Needle Threader

- * The needle threader can be used with machine needles #11 through #16. When using #9 needles or thinner, manually thread the needle.

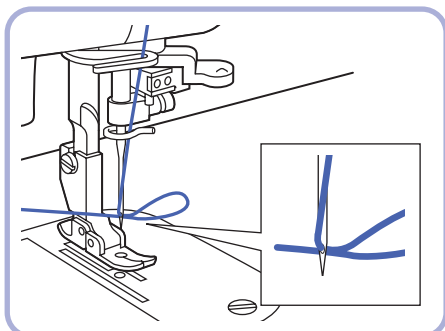


- ① Make sure that the thread take-up lever is positioned as shown in the diagram and the needle is raised to its highest position.
- ② Holding the thread in your left hand, pull out about 20 cm (approx. 8 inches) (①), and then lower the presser foot lever (②).

- ③ Fully lower the needle threader (①), and then fully swing it to the back.
- ④ Pass the thread between the hook fingers (①) completely, then pass the thread around the right side of the pin (②). The hook (③) catches the thread.

- ⑤ Pass the thread through the thread trimmer from back to front to cut it.

- ⑥ Raise the presser foot lever, and then return the needle threader to its original position. The hook passes the thread through the eye of the needle.

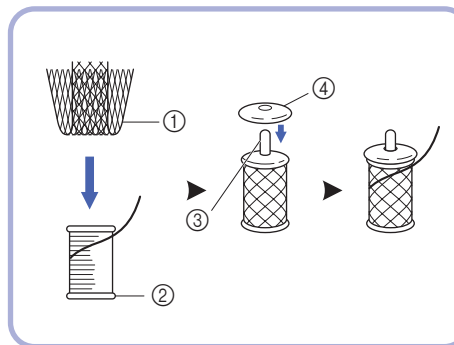


- ⑦ Carefully pull the loop to the right to thread the needle.

- The needle threader cannot be used with the thread-needle combinations illustrated in the chart shown below. Transparent nylon thread can be used regardless of the chart, providing the needle used is a #14 or #16.

Needle (HLX5)	Thread
#11	#20 #30
#14	#20 #30
#16	#20

Using the Spool Net



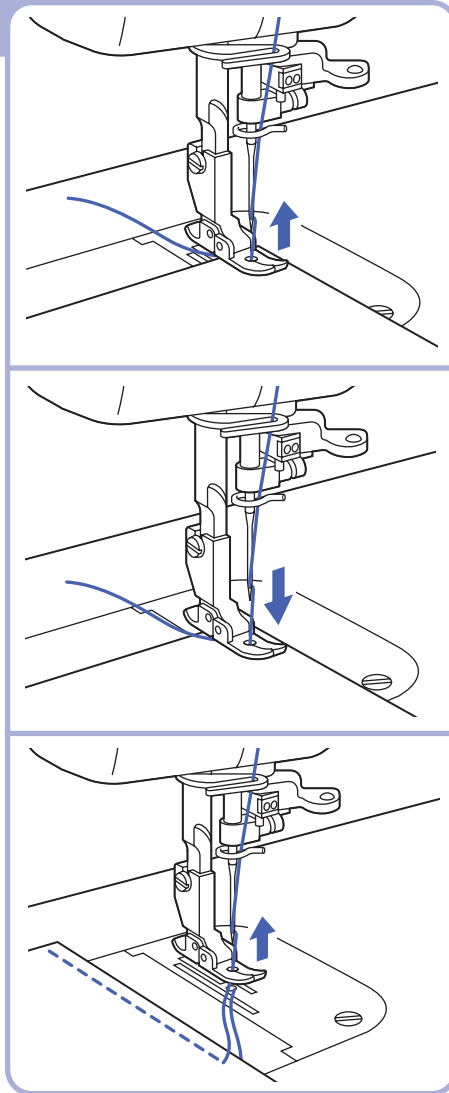
If using transparent nylon thread, metallic thread, or other strong thread, place the included spool net over the spool before using. If the spool net is too long, fold it once to match it to the spool size before placing it over the spool.

- ① Spool net
- ② Thread spool
- ③ Spool pin
- ④ Spool cap

Stitch Samples and Needle Chart

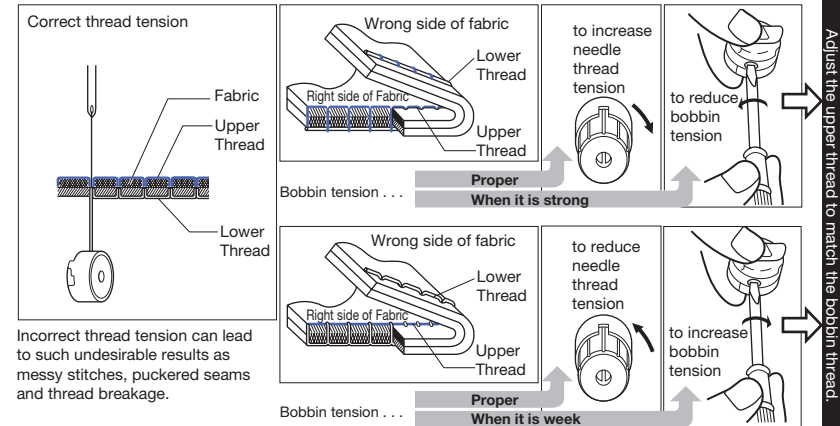
Stitch Samples

- ① Set stitch length regulator to desired stitch length.
 - ② Make sure approximately 15 cm (approx. 6 inches) of upper thread is pulled under the presser foot and toward the rear of the machine. While needle is in raised position, insert a test strip from the garment fabric under the foot.
 - ③ Lower presser foot.
 - ④ Turn the handwheel toward you to lower the needle through the fabric, then press gently on the foot controller to begin.
 - ⑤ Turn the handwheel toward you to raise the needle and thread take-up lever to their highest positions.
 - ⑥ Raise the presser foot and remove fabric. Manually cut the thread with the thread trimmer located on the left side of the machine, or with a pair of scissors.
- * When using thread cutter:
- ⑤ Press the thread cutter button while the presser foot lever is in the down position.
 - ⑥ Raise presser foot and remove fabric.



Thread Tension

* Bobbin thread should feed smoothly. Adjust bobbin thread to match that of upper thread. (If bobbin thread is too tight it may cause fabric to bunch up.)



Incorrect thread tension can lead to such undesirable results as messy stitches, puckered seams and thread breakage.

● Fabric/Thread/Needle Combinations

* The following chart applies to many different fabric, thread and needle combinations.

	Fabric - Thread - Needles			HLX5	Schmetz 130/705H
	Cloth	Thread	Needle (HLX5)		
Specialty fabrics	Velvet	Silk, Polyester #30 - #50	#11 - #14	#9	#65
	Quilt	Polyester #20 - #50	#11 - #16	#11	#75
	Synthetic Suede	Polyester #20 - #50		#14	#90
	Knit	Polyester #20 - #50		#16	#100
	Coating	Polyester #50	#11 - #14	#18	#110
Light weight fabrics	Lawn	Cotton #80	#9		
	Tricot	Polyester #60			
	Silk Georgette	Silk #50			
Medium weight fabrics	Wool Georgette	Silk, Polyester #50	#11		
	Gingham	Cotton #60 - #80	#11 - #14		
	Lightweight Jersey	Polyester #60	#11		
Heavy weight fabrics	Gabardine, Flannel	Silk #50			
	Denim	Cotton #20 - #50	#14 - #18		
	Jersey	Polyester #20 - #50	#11 - #16		
Tweed	Silk #20 - #50				

- * HLX5 needles are recommended; however, Schmetz 130/705H needles may also be used under normal sewing conditions.
- * Adjust the pressure adjustment dial and the feed dog adjustment knob according to the chart on the sewing machine.
- * When sewing on knit fabrics such as jersey or tricot, use a ballpoint needle or a needle designed for use with knit fabrics.
- * For best results when using metallic threads, sew with a good quality thread, set upper tension on 2, and use metallic needle.

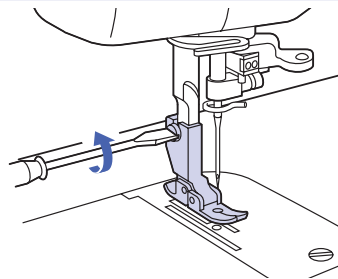
Changing Presser Feet

⚠ CAUTION

Make sure the power to the machine is off before changing presser feet.

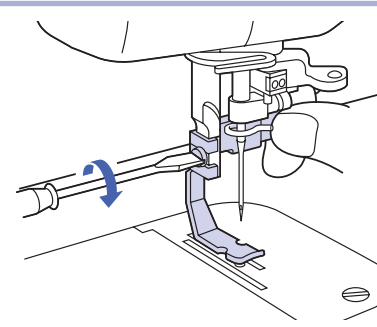
Changing Presser Feet (Zipper Foot)

- ① Raise presser foot, and raise needle to highest position.
- ② Loosen and remove screw using screwdriver.

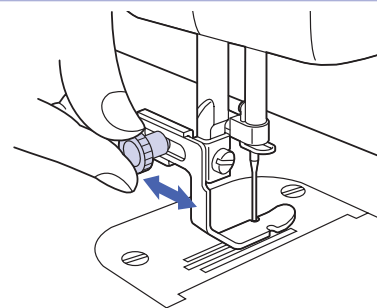


- ③ Attach zipper foot and tighten screw.

* Use the same method to attach the other feet that come with your machine.



- * Use the position knob on back of the zipper foot to adjust position of foot in relation to needle.
- * Only the zipper foot has a position knob. You can begin sewing with all other presser feet immediately after attaching.

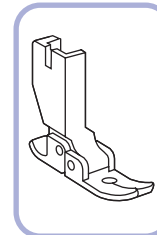


Presser Feet

* Use presser feet supplied with your machine. Each foot is specially designed for this machine and has clearance for the pin at the rear of each foot.

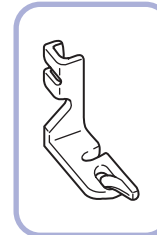
● Flex Reaction Foot

For perfect stitching on otherwise difficult fabrics like velvet, leather and suede.



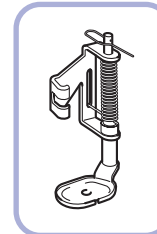
● Rolled Hem Foot

Use on the edge of fabric, such as on hems of dress shirts, to fold the edge of the fabric in while sewing.



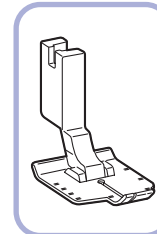
● Free-Motion Quilting Foot

Spring action foot for darning, quilting or free-motion embroidery.



● 1/4" Foot

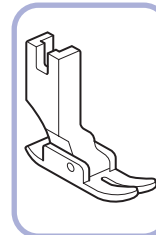
For quilt and patchwork piecing with 1/4" or 1/8" seam allowance.



● General Purpose Foot

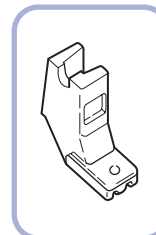
This foot is used for most sewing. (Can also be used for sewing thick fabrics or seams.)

- * When sewing thick seams, lightly guide the fabric with your hand on the downward side of the seam.
- * Can also be used with pin feeding.



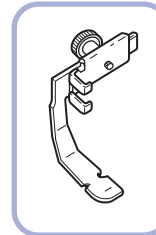
● Invisible Zipper Foot

Use to attach concealed fasteners.



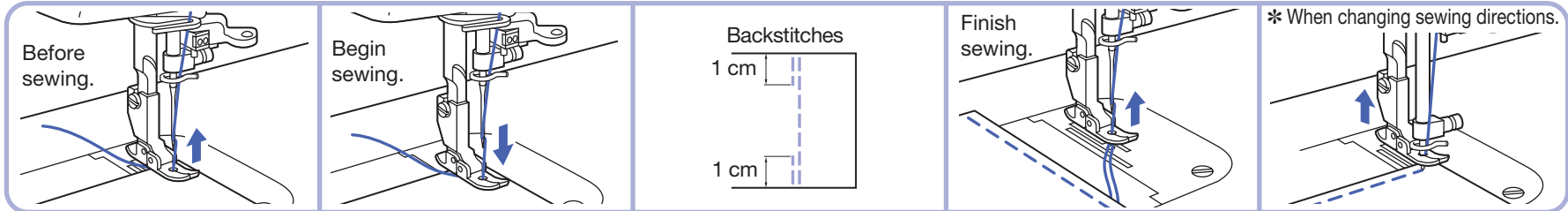
● Zipper Foot

Use to attach fasteners other than concealed fasteners. The zipper foot can also be used to secure piping in place as you sew. Use the side of the foot closest to the needle to rest against the edge of the piping as you sew.



Basic Sewing (1)

Basic Sewing



① Raise presser foot, pull about 15 cm (approx. 6 inches) of thread under and behind foot, and position fabric under foot.

② Lower presser foot lever to lower foot.
③ Turn the handwheel toward you to lower the needle through the fabric, then press gently on the foot controller to begin.

* At the beginning and end of a seam, press down the reverse stitch lever and backstitch about 1 cm (approx. 3/8 inch).

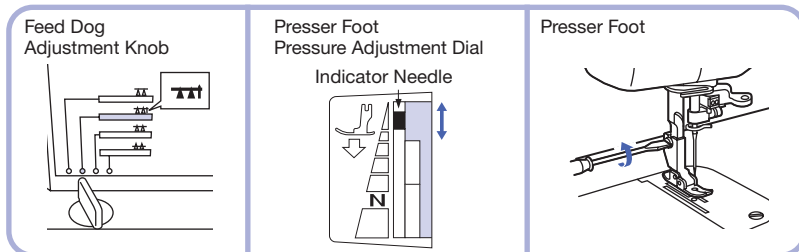
④ Raise needle to highest position.
⑤ Raise presser foot, remove fabric and cut thread.
* When using thread cutter:
④ Press thread cutter button (this will cause the upper and bobbin threads to be cut automatically and the needle to stop in a raised position).
⑤ Raise presser foot and remove fabric.

* When changing sewing directions.
① Make sure needle is pierced all the way through fabric.
② Raise presser foot, and turn fabric using needle as an axis.
③ Lower presser foot and continue sewing.

Pin Feeding (for hard-to-handle fabrics)

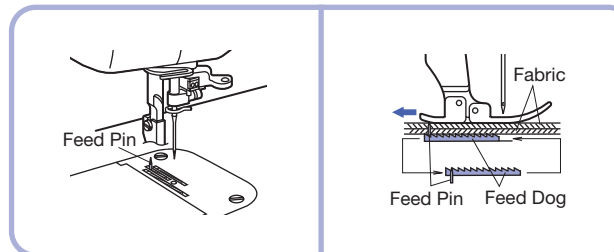
Velvet, quilt fabric, synthetic suede, knits and other fabrics can be joined evenly by activating the pin feed mechanism.

● Machine Set-up for Pin Feeding



① Move feed dog adjustment knob to pin feeding position.
② Adjust pressure adjustment dial until indicator needle is in the right position in the matching color coded area.
③ Attach flex reaction foot for perfect stitching on difficult fabrics like velvet, leather and suede.

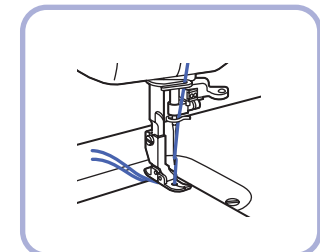
● Pin Feeding Mechanism



The feed pin passes up through all layers of fabric moving with the feed dog's motion to feed all layers of the fabric evenly.

* For safety, the feed pin is automatically lowered when presser foot is raised.

● Start to Sew



Gently pull thread until feed pin catches fabric and sew.

⚠ CAUTION

While the presser foot lever is lowered, the feed pin appears up through the feed dog. Keep your fingers away from the feed pin.

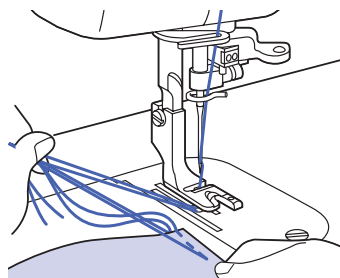
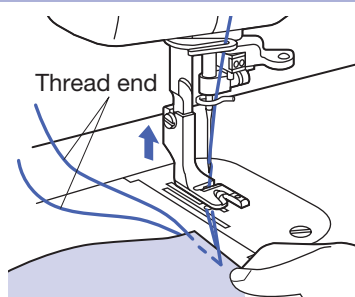
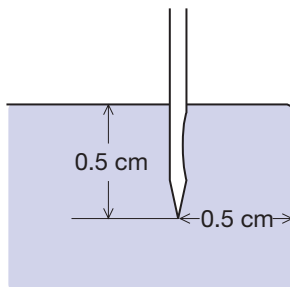
Basic Sewing (2)

⚠ CAUTION

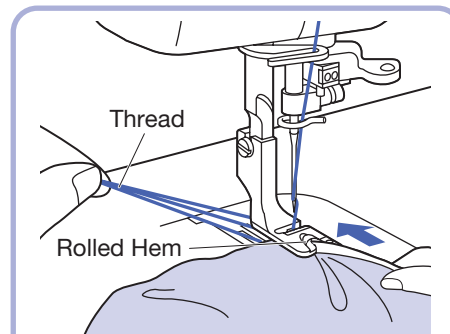
Make sure the power to the machine is off before changing presser feet.

Rolled Hem Foot

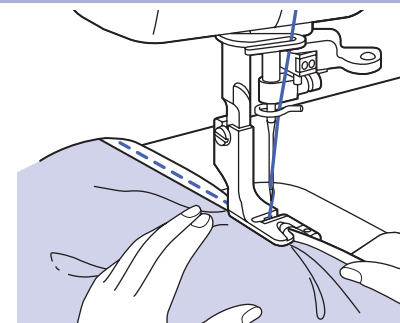
- ① Attach rolled hem foot.
- * Refer to page 19 for instructions on changing sewing feet.
- ② Position the fabric (reverse side facing up) under the presser foot. Insert needle approximately 0.5 cm (approx. 3/16 inch) from the edge of the fabric and sew 2 stitches.
- ③ Turn the handwheel towards you to raise the needle, raise the presser foot, then pull the fabric forward.
 - * Be sure not to unthread the fabric while pulling it forward.
- ④ Hold the 4 threads in your left hand.



- ⑤ With your right hand, put the edge of the rolled hem under the presser foot, from the spot where the threads come out. Insert the edge so that it lies directly under the needle. Lower the presser foot.



- ⑥ Pull gently on threads in left hand while sewing the first 3-4 stitches to hold them in place.
- ⑦ Fold hem over about 0.5 cm (approx. 3/16 inch) and continue feeding folded hem under foot while sewing towards the curved guide on the foot.



Basic Sewing (3)

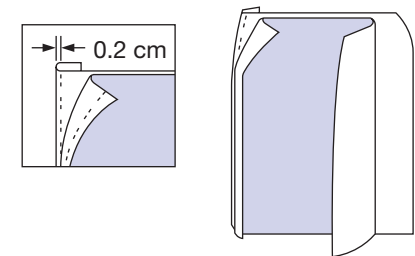
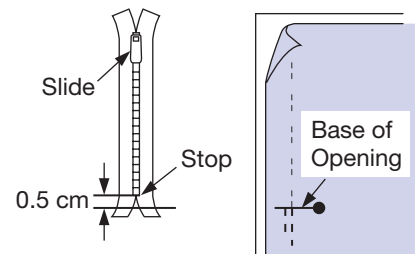
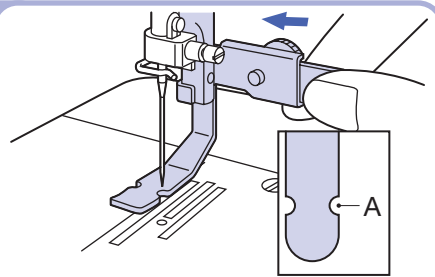
⚠ CAUTION

Make sure the power to the machine is off before changing feet.

- * When attaching zippers to stretch fabrics, use the pin feed method and adjust foot pressure accordingly.
- * The zipper foot can also be used as a guide when attaching piping to fabric.

Zipper Foot

- ① Attach zipper foot.
- * See “Changing Presser Feet (Zipper Foot)” on page 19.
- ② Turn the handwheel towards you to lower the needle and adjust the position of the foot relative to the needle using the adjustment screw to slide the foot from left to right.
- ③ Line up zipper to the section of fabric it will be attached to, and mark the base of the opening on the fabric. It should be set approximately 0.5 cm (approx. 3/16 inch) below zipper stop. Sew from below the base of the opening.
- ④ Divide the seam margin. Fold the seam margin with the overlap of the zipper position facing down 0.2 cm (approx. 1/16 inch) on the outside of the mark.



- ⑤ Secure the zipper with basting and sew along the mark.

⚠ CAUTION

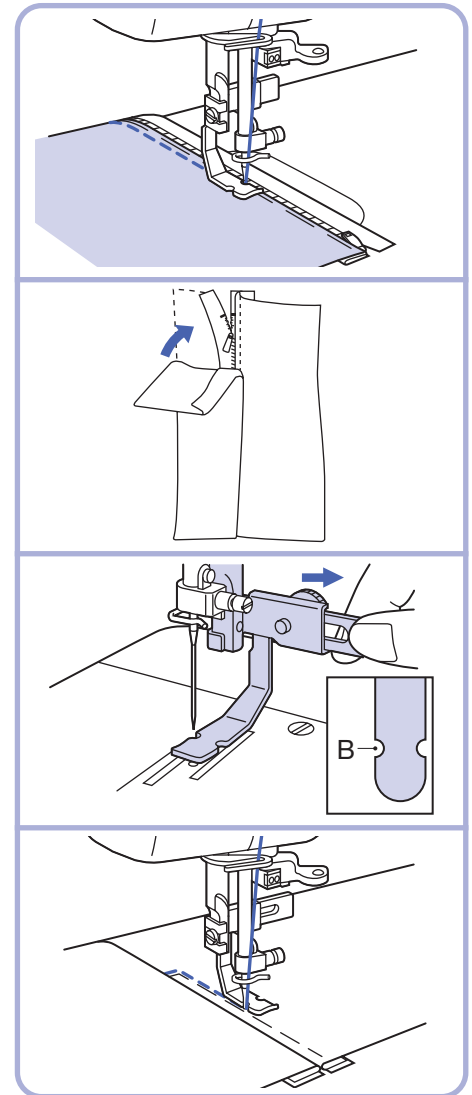
Make sure the needle does not strike the metal part of the zipper when sewing. The needle may break and cause injury.

- ⑥ Line up the folded hem on the opposite side with the stitches.

- ⑦ Change position of zipper foot.
- ⑧ Turn the handwheel to lower the needle and position the presser foot.

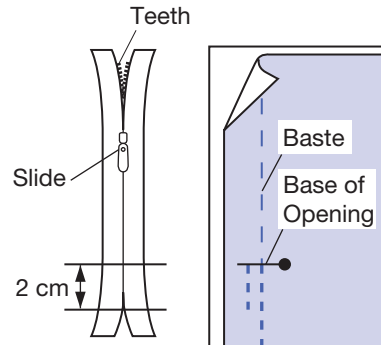
- ⑨ With the fabric right side up, baste the zipper onto the fabric, then sew the edge of the basting.

- * Reinforce base of opening by sewing over it twice.
- * If the zipper slide gets in the way, lower the needle all the way through the fabric, raise the foot, and move the slider out of the way.

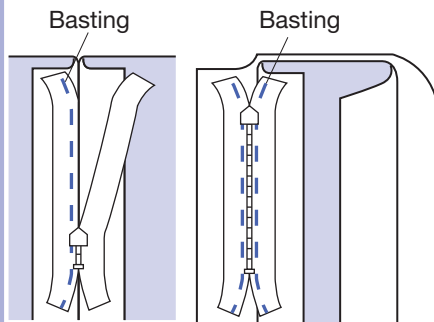


Invisible Zipper Foot

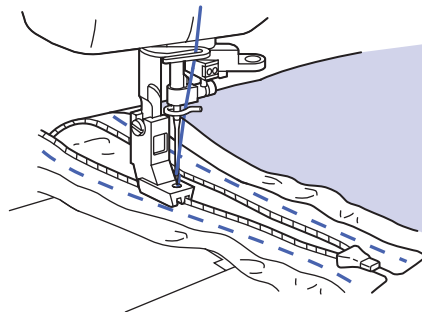
- ① Attach invisible zipper foot.
- ② Align zipper with fabric. Mark the base of the opening approximately 2 cm (approx. 3/4 inch) above the end of the zipper.



- ③ Baste the zipper position.
- ④ Separate the seam allowance.
- ⑤ With the zipper mounted, baste just the seam margin on one side of the zipper.
- ⑥ Close the zipper and baste the other side of the zipper.
- ⑦ Remove the basting at the zipper position.



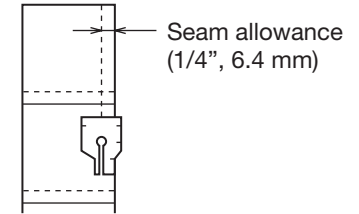
- ⑧ Fit the zipper teeth into the presser foot groove, guide the teeth to prevent them from coming out of the groove, and sew to the base of the opening.



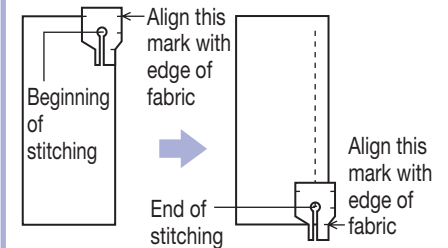
- * When sewing with the teeth to the right, the left side of the foot should line up with the left teeth of the zipper.

1/4" Foot

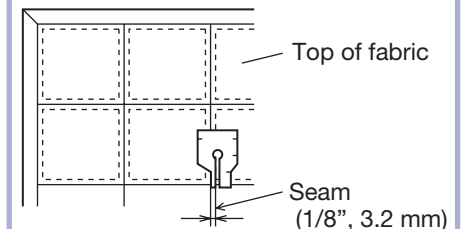
- Sewing machine settings:
Stitch length = 2 - 2.5 mm
- Sew a consistent seam allowance (1/4", 6.4 mm) when piecing together a quilt.



- Use guides (mark) to begin, end, or pivot 1/4" (6.4 mm) from edge of fabric.



- Accurately topstitch 1/8" (3.2 mm) from seam.

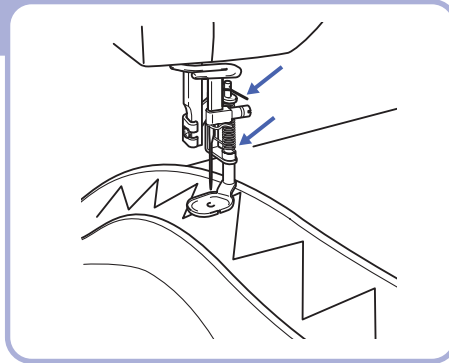


Free-Motion Quilting Foot

Reduce the foot pressure (page 9) and turn the feed dog adjustment knob (page 10) on the machine lowering the feed dog for free-motion quilting.

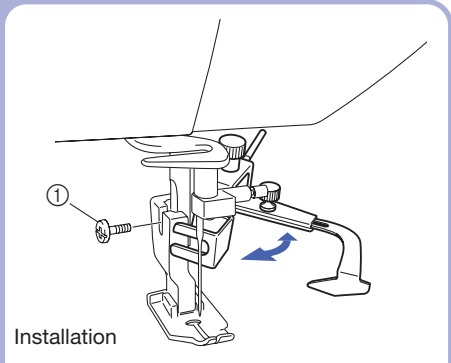
Note

- If the foot is frequently used, be sure to apply a small amount of oil about once a month to the area indicated by the arrows. (If too much oil is applied, wipe off the excess with a cloth.)
- For best results when using metallic or monofilament threads for free-motion quilting, sew with a good quality thread, set upper tension 1-2, and use a metallic needle.
- First pull up the bobbin thread, if necessary.



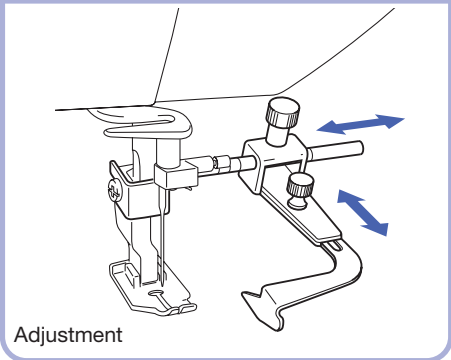
Seam Guide

- ① Tighten the screw securely with a screwdriver since it might otherwise loosen due to vibration.



Installation

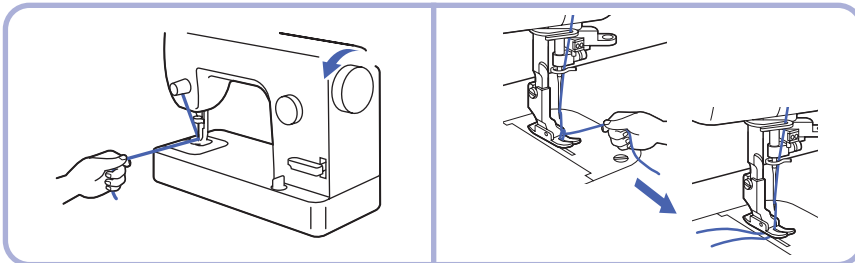
Turn adjustment screws as arrow images suggest to set the position of the Seam Guide.



Adjustment

Pulling Up the Bobbin Thread

While lightly holding the end of the upper thread, slowly turn the handwheel toward you (counterclockwise) by hand to lower and then raise the needle. Carefully pull the upper thread upward to pull out the end of the bobbin thread.



Caring for Your Machine

Cleaning the Machine

⚠ CAUTION

Make sure the power to the machine is off before cleaning sewing machine. There is a risk of injury if you accidentally step on the foot controller.

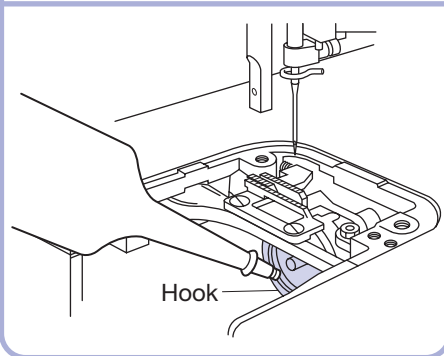
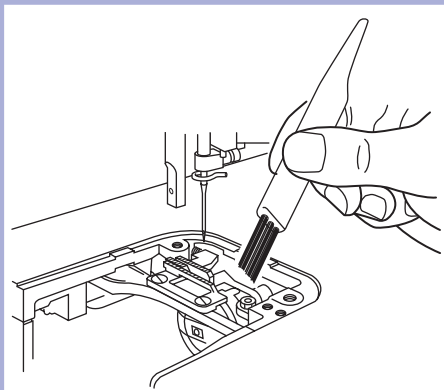
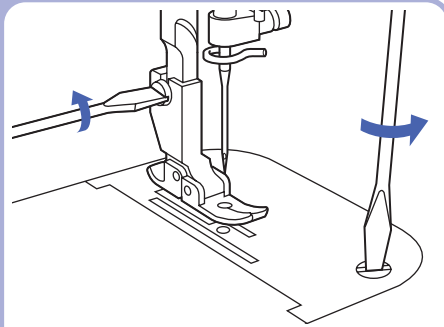
- ① Turn machine off.
- ② Remove presser foot.
- ③ Remove needle plate.
- ④ Clean out dust and thread scraps.

* Thread scraps can be swept out through the bobbin door.

- ⑤ When the area under the needle plate is cleaned out, oil the hook of bobbin case with sewing machine oil.

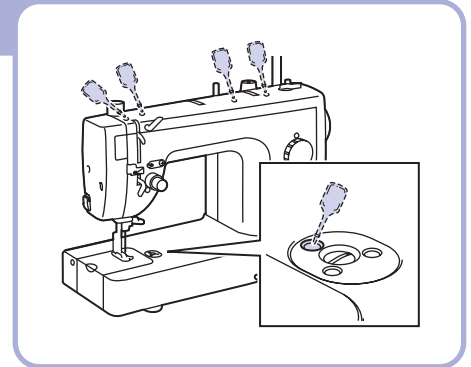
- * Use a cloth to clean the machine of any excess oil.
- * Use only good quality sewing machine oil.

- ⑥ Attach needle plate and presser foot.



Lubrication Points

- When using the sewing machine every day, apply a few drops of oil* to each location indicated twice a month.
- * Use a cloth to wipe the machine clean of any oil spilled near the lubrication points.
- * Use only good quality sewing machine oil.

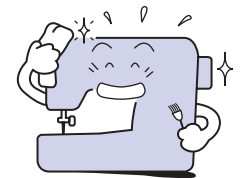


■ Keep Your Sewing Machine Clean

When wiping dirt off the machine, firmly wring a soft cloth soaked in (lukewarm) water. After cleaning the machine, dry it with a soft, dry cloth.

■ Precautions

Please keep sewing machine away from heat sources such as irons and space heaters. Do not use chemicals like benzine or thinner to clean your machine. When machine is not in use, please keep machine out of direct sunlight.



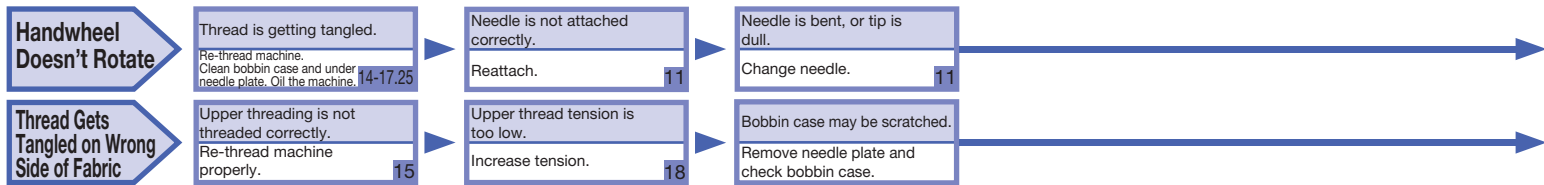
Item	Specification
Dimensions of machine	460 mm (W) × 195 mm (D) × 320 mm (H) (Approx. 18-1/8 inches (W) × 7-11/16 inches (D) × 12-19/32 inches (H))
Weight of machine	10.8 kg (Approx. 24 lb)
Sewing speed	40 to 1500 stitches per minute

Trouble Shooting

* Before taking your sewing machine in for service, check the following chart.



● If you still cannot find the problem, please take your sewing machine into your nearest authorized Baby Lock retailer for repair.



● If you still cannot find the problem, please take your sewing machine into your nearest authorized Baby Lock retailer for repair.

* If you find it difficult to turn the handwheel, you may also see “Sewing Machine Doesn’t Run” in “Trouble Shooting”.

When the Safety Device is Operating

If a problem persists even after performing the measures in “Sewing Machine Doesn’t Run” in “Trouble Shooting”, the machine’s safety device may be operating.

Symptom	Cause/solution
The machine does not operate. The indicator lamp blinked for a few seconds.	The machine is locked because the thread is tangled, etc. Turn off the power, remove the tangled thread, and clean the machine. (page 25)
The machine stopped and will not operate. The indicator lamp continuously blinks slowly.	Foot controller replacement or machine repair is required. Contact your Baby Lock retailer.

* The machine will not operate for approximately 1 second immediately after the power is turned on or after the foot controller pin jack is inserted or removed.

INTRODUCTION

Merci d'avoir choisi cette machine à coudre. Avant d'utiliser cette machine, lisez soigneusement les « INSTRUCTIONS DE SÉCURITÉ IMPORTANTES » et consultez ce manuel pour en savoir plus sur l'utilisation correcte des nombreuses fonctions disponibles.

En outre, après avoir lu ce manuel, rangez-le dans un lieu facile d'accès afin de pouvoir vous y reporter ultérieurement.

INSTRUCTIONS DE SÉCURITÉ IMPORTANTES

Veillez lire ces instructions de sécurité avant d'utiliser la machine.

⚠ DANGER - Pour réduire les risques d'électrocution

- 1** Débranchez toujours la machine de la prise électrique immédiatement après utilisation, lorsque vous la nettoyez, lorsque vous procédez à des opérations d'entretien mentionnées dans ce manuel, ou si vous la laissez sans surveillance.

⚠ AVERTISSEMENT - Pour réduire les risques de brûlure, d'incendie, d'électrocution ou de blessures.

- 2** Débranchez toujours la machine de la prise électrique lorsque vous procédez à des réglages mentionnés dans ce manuel d'instructions.
 - Pour débrancher la machine, mettez-la sur « O » (position de mise hors tension), puis retirez la fiche de la prise d'alimentation électrique. Ne tirez pas sur le cordon.
 - Branchez directement la machine dans une prise d'alimentation électrique. N'utilisez pas de rallonge.
 - Débranchez toujours votre machine en cas de coupure d'électricité.

3 Accidents d'origine électrique :

- Cette machine doit être connectée à une source d'alimentation secteur dans la plage indiquée sur la plaque signalétique. Ne la branchez pas à une source d'alimentation continue ni à un onduleur. Si vous ne savez pas de quelle source d'alimentation vous disposez, contactez un électricien qualifié.
- Cette machine est homologuée pour être utilisée dans le pays d'achat uniquement.

4 N'utilisez jamais cette machine si sa fiche ou son cordon d'alimentation est endommagé, si elle ne fonctionne pas correctement, si elle est tombée ou a été endommagée, ou en cas de contact avec de l'eau. Renvoyez-la au revendeur Baby Lock agréé le plus proche à des fins d'examen, de réparation ou de réglage électronique ou mécanique.

- Lorsque votre machine est stockée ou en cours d'utilisation, si vous remarquez quelque chose d'anormal (odeur, chaleur, décoloration ou déformation), arrêtez immédiatement de l'utiliser et débranchez le cordon d'alimentation.
- Portez toujours la machine en la tenant par sa poignée. En la tenant par une autre pièce, vous risqueriez de l'endommager ou de la faire tomber et de vous blesser.
- Lorsque vous soulevez la machine, veillez à ne pas faire de mouvement brusque ou intempestif; vous risqueriez de vous blesser.

5 Maintenez toujours votre espace de travail dégagé :

- N'utilisez jamais la machine lorsque les aérations sont obstruées. Ne laissez pas les peluches, poussières et tissus s'accumuler et boucher les ouvertures de ventilation de la machine et de la pédale de commande.
- Ne placez aucun objet sur la pédale.
- N'insérez ou ne laissez tomber aucun corps étranger dans les ouvertures.
- Ne faites pas fonctionner la machine en cas d'utilisation d'aérosols (pulvérisations) ou d'administration d'oxygène.
- N'utilisez pas la machine à proximité d'une source de chaleur, telle qu'une cuisinière ou un fer à repasser. La machine, le cordon d'alimentation ou le vêtement en cours de confection risquerait de prendre feu, vous exposant à des risques de brûlure ou d'électrocution.
- Ne posez pas cette machine sur une surface instable, telle qu'une table bancale ou inclinée. Elle risquerait de tomber et de vous blesser.

6 Soyez tout particulièrement attentif pendant la couture :

- Faites toujours très attention à l'aiguille. N'utilisez pas d'aiguilles tordues ou cassées.
- Ne touchez aucune pièce en mouvement. Vous devez faire preuve d'une grande prudence avec l'aiguille de la machine.
- Mettez la machine sur « O » pour la mettre hors tension lorsque vous procédez à des ajustements à proximité de l'aiguille.
- N'utilisez pas de plaque à aiguille endommagée ou inadéquate. Vous risqueriez de casser l'aiguille.
- Ne poussez pas ni ne tirez le tissu pendant la couture, et respectez scrupuleusement les instructions lors de la couture en mouvement libre, afin de ne pas faire dévier l'aiguille et la casser.

7 Cette machine n'est pas un jouet :

- Vous devez donc être très attentif lorsque des enfants l'utilisent ou se trouvent à proximité.
- Ce produit contient des pièces de petite taille. Pour éviter toute ingestion accidentelle des petites pièces, gardez ce produit hors de portée des enfants.
- Tenez le sac en plastique contenant cette machine hors de portée des enfants, ou jetez-le. Ne laissez jamais les enfants jouer avec ce sac; ils risqueraient de s'étouffer.
- N'utilisez pas la machine à l'extérieur.

8 Pour une durée de vie prolongée :

- Quand vous utilisez et rangez cette machine, évitez les endroits exposés directement à la lumière du soleil ou très humides. N'utilisez pas et ne rangez pas la machine à proximité d'un appareil de chauffage, d'un fer à repasser, d'une lampe à halogène ou tout autre appareil dégageant de la chaleur.
- N'utilisez pas de produits nettoyants ni de solvants organiques tels que des diluants, de l'éther de pétrole ou de l'alcool pour nettoyer la machine. Sinon, la finition risquerait de se décoller ou de s'égratigner.
- Pour une installation correcte, consultez toujours le manuel d'instructions pour remplacer ou installer tout ensemble de pièces, le pied-de-biche, l'aiguille ou toute autre pièce.

9 Pour la réparation ou le réglage :

- Si l'unité d'éclairage est endommagée, faites-la remplacer par un revendeur Baby Lock agréé.
- Lors d'un dysfonctionnement ou d'un réglage, suivez d'abord le tableau de dépannage à la fin du manuel d'instructions pour inspecter et régler la machine vous-même. Si le problème persiste, veuillez consulter votre revendeur Baby Lock local agréé.

ATTENTION

10 (Pour les États-Unis uniquement)

Cet appareil possède une fiche polarisée (une lame plus large que l'autre). Pour réduire les risques de choc électrique, cette fiche est prévue pour rentrer dans une prise électrique polarisée dans un seul sens. Si la fiche ne rentre pas complètement dans la prise électrique, retournez la fiche. Si elle ne rentre toujours pas, contactez un électricien qualifié pour installer la prise électrique adéquate. Ne modifiez la fiche d'aucune manière.

N'utilisez cette machine que de la manière prévue, décrite dans ce manuel.

Utilisez les accessoires recommandés par le fabricant, comme mentionné dans ce manuel.

Le contenu de ce manuel et les spécifications de ce produit peuvent être modifiés sans avis préalable.

Pour plus d'informations sur le produit, consultez notre site Web www.babylock.com

CONSERVEZ CES INSTRUCTIONS

**Cette machine est conçue
pour une utilisation
domestique.**

POUR LES UTILISATEURS DES PAYS HORS EUROPE


Cet appareil n'est pas conçu pour une utilisation par des personnes (adultes ou enfants) souffrant d'incapacités physiques, sensorielles ou mentales, ou ne disposant pas de l'expérience ou des connaissances nécessaires, à moins qu'elles ne soient aidées par une personne veillant à leur sécurité. Il faut surveiller les enfants pour s'assurer qu'ils ne jouent pas avec cet appareil.

POUR LES UTILISATEURS DES PAYS EUROPÉENS

Les enfants de 8 ans ou plus et les personnes souffrant d'incapacités physiques, sensorielles ou mentales, ou ne disposant pas de l'expérience ou des connaissances requises, peuvent utiliser cet appareil s'ils sont encadrés ou s'ils ont reçu des instructions leur permettant de se servir de l'appareil en toute sécurité et de comprendre les risques encourus. Les enfants ne doivent pas jouer avec cet appareil. Le nettoyage et l'entretien ne doivent pas être effectués par des enfants sans supervision.

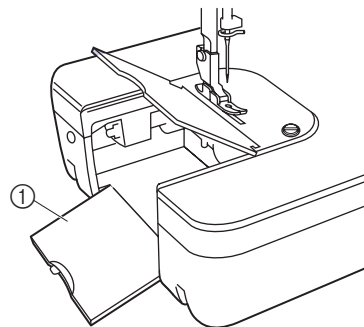
POUR LES UTILISATEURS AU ROYAUME-UNI, EN IRLANDE, À MALTE ET À CHYPRE UNIQUEMENT

IMPORTANT

- En cas de remplacement du fusible de la fiche, utilisez un fusible certifié ASTA à BS 1362, c'est-à-dire portant la marque , d'une capacité correspondant à celle indiquée sur la fiche.
- Remettez toujours le couvercle du fusible. Ne branchez jamais la machine lorsque le couvercle du fusible est ouvert.
- Si la prise secteur disponible n'est pas compatible avec la fiche fournie avec cet équipement, procurez-vous un câble approprié auprès de votre revendeur Baby Lock agréé.

SIGNE D'AVERTISSEMENT

Le signe d'avertissement suivant se trouve sur la machine. Veuillez à bien observer les mesures de précaution décrites sur ce signe.



①

"CAUTION"—"Moving parts-To reduce risk of injury, Disconnect from supply circuit before Servicing. Replace cover"
"Close door before operating machine"
"ATTENTION"—"Fermer le couvercle avant d'opérer la machine"

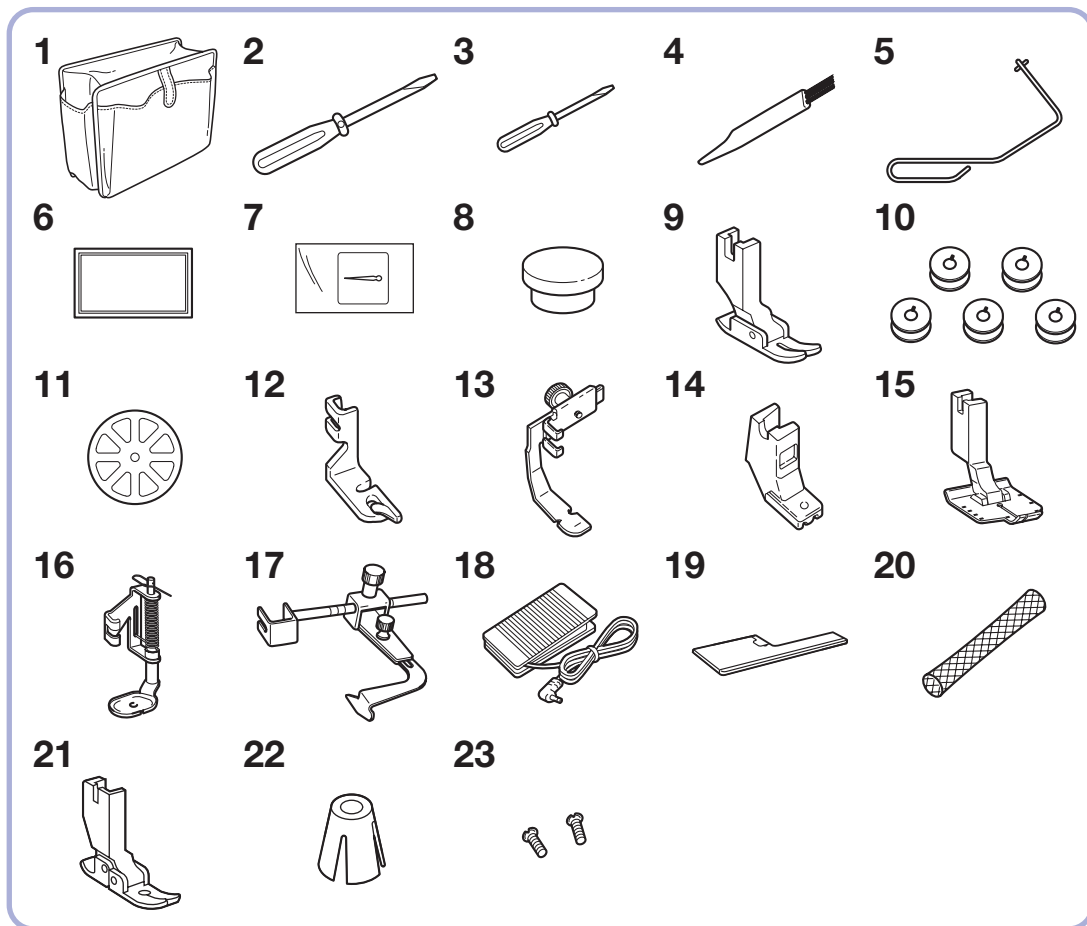
ATTENTION

Pièces en mouvement - Pour réduire le risque de blessures, débranchez le circuit d'alimentation avant de réaliser l'entretien. Remettez le capot en place. Fermez la porte avant de faire fonctionner la machine.

TABLE DES MATIÈRES

INTRODUCTION	28	Utilisation du filet de la bobine.....	44
INSTRUCTIONS DE SÉCURITÉ IMPORTANTES	28	Points d'essai et tableau d'aiguilles	45
Accessoires	33	Points d'essai	45
Fonctions de la machine	34	Tension des fils.....	45
Avant de commencer (1)	35	Changement du pied-de-biche	46
Cordon d'alimentation et pédale.....	35	Changement du pied-de-biche	
Interrupteur d'alimentation principal	35	(Pied pour fermeture à glissière).....	46
Bouton de tension du fil	35	Les différents pieds-de-biche	46
Volant	35	Couture de base (1)	47
Sélecteur de longueur de point.....	35	Couture de base.....	47
Levier de point arrière	35	Entraînement par ergot	
Levier du pied-de-biche	36	(pour les tissus difficiles à manipuler)	47
Genouillère	36	Couture de base (2)	48
Molette de réglage de la pression du		Pied pour ourlet roulotté	48
pied-de-biche.....	36	Couture de base (3)	49
Table d'extension	36	Pied pour fermeture à glissière	49
Avant de commencer (2)	37	Pied pour fermeture à glissière invisible	50
Touche coupe-fil.....	37	Pied 1/4"/pouce	50
Touche position d'arrêt d'aiguille	37	Pied pour quilting (courtepointe)	
Bouton de réglage des griffes d'entraînement.....	37	en mouvement libre.....	51
Remplacement de l'aiguille	38	Faire remonter le fil de la canette	51
Remplacement de l'aiguille	38	Guide de couture	51
Remplacement de l'ergot d'entraînement.....	38	Entretien de la machine à coudre	52
Bobinage/installation de la canette	39	Nettoyage de la machine	52
Remplissage de la canette	39	Points de graissage	52
Installation de la canette	41	Dépannage	53
Enfilage supérieur	42	Quand le dispositif de sécurité est activé	54
Enfilage supérieur.....	42		
Enfilage supérieur pour tissus épais ou lors de			
l'utilisation de fils plus épais	43		
Utilisation de l'enfile-aiguille.....	44		

Accessoires

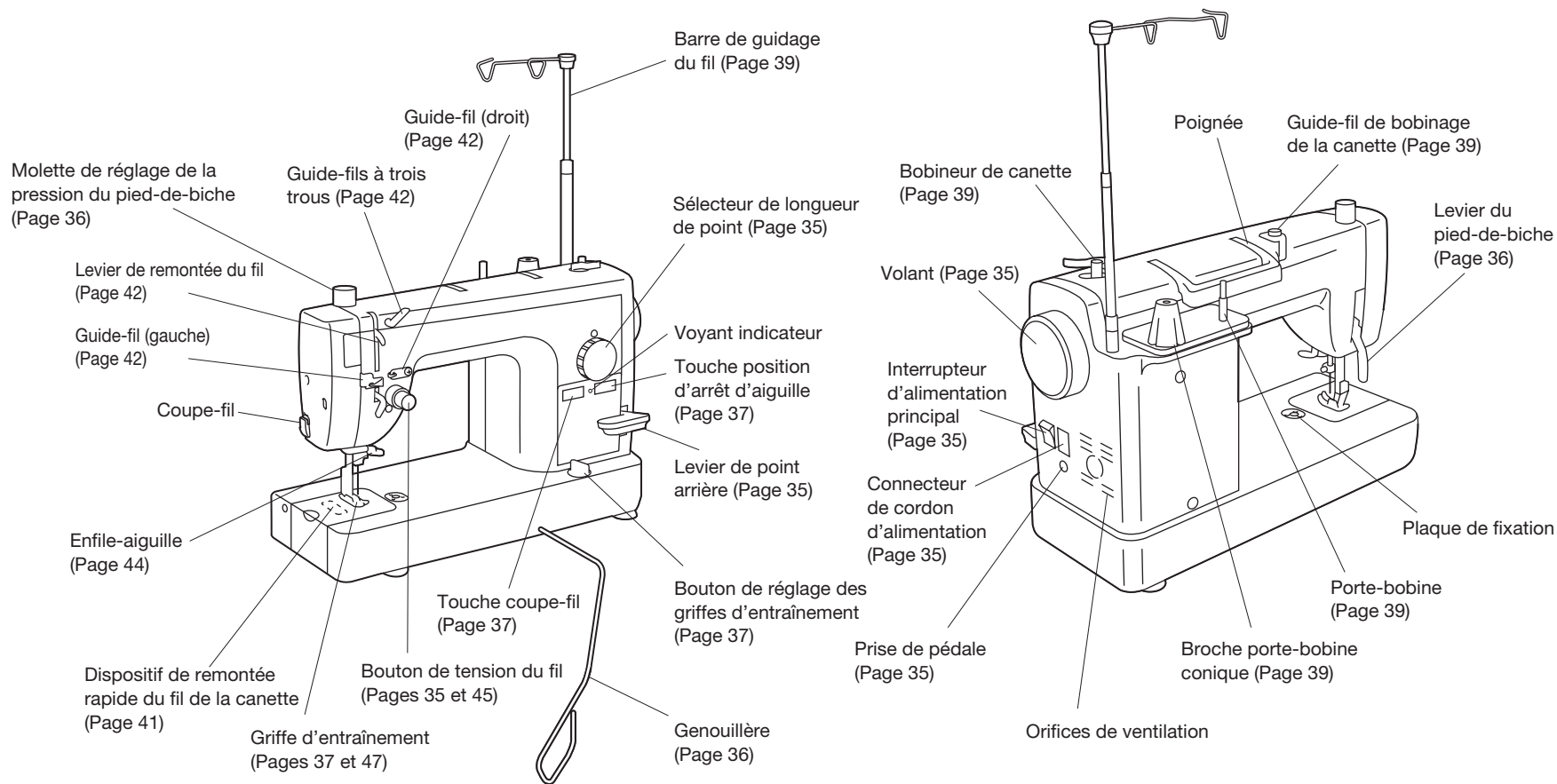


Remarque

- (Pour les États-Unis uniquement) Pédale : Modèle T
Cette pédale s'utilise avec le modèle de machine à coudre BL530B.
- Consultez notre site Web <https://babylock.com/machines/sewing/accomplish2/accessories> pour voir les accessoires qui peuvent être utilisés avec cette machine.

No. de pièce	Désignation	Code de pièce
1	Housse	D02V2Y-001
2	Tournevis moyen	XC9541-051
3	Petit tournevis	X55468-051
4	Brosse de nettoyage	X59476-051
5	Genouillère	XA0830-051
6	Aiguilles et boîte (ORGAN HLX5) 1 Taille 9, 2 Taille 11, 1 Taille 14, 1 Taille 16, 1 aiguille à pointe-bille	X80805-151
7	Ergot d'entraînement	138483-051
8	Changeur d'ergot d'entraînement	XC1407-051
9	Pied à usage général	BLQP-GP
10	Canette (5)	BMP-BOB
11	Couvercle de bobine	XA2111-050
12	Pied pour ourlet roulotté	BLQP-RH
13	Pied pour fermeture à glissière	BLQP-ZF
14	Pied pour fermeture à glissière invisible	BLQP-IZF
15	Pied 1/4"/pouce	BLQP-QF
16	Pied pour quilting (courtepointe) en mouvement libre	BLQP-FM
17	Guide de couture	BLQP-SG
18	Pédale	XC8816-071
19	Table d'extension	XC3117-052
20	Filet de la bobine	XA5523-050
21	Pied à réaction souple (sur la machine)	BLQP-FR
22	Broche porte-bobine conique (sur la machine)	XF2071-002
23	Vis (2) * Conservez ces vis dans un endroit sûr car vous en aurez besoin pour utiliser les accessoires en option.	062670-817

Fonctions de la machine



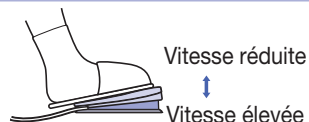
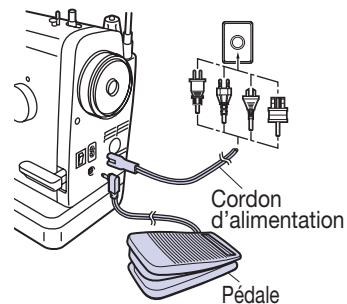
Avant de commencer (1)

Cordon d'alimentation et pédale

⚠ AVERTISSEMENT

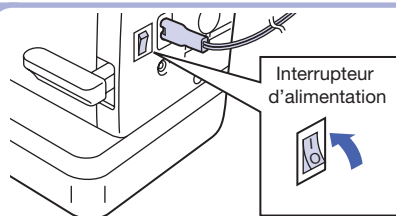
Utilisez un courant secteur domestique ordinaire.

- Branchez le cordon d'alimentation.
- Insérez le connecteur de la pédale dans la machine.
- Lorsque vous appuyez légèrement sur la pédale, la machine fonctionne à vitesse réduite. Lorsque vous appuyez plus fort sur la pédale, la vitesse de la machine augmente. Lorsque vous enlevez votre pied de la pédale, la machine s'arrête.



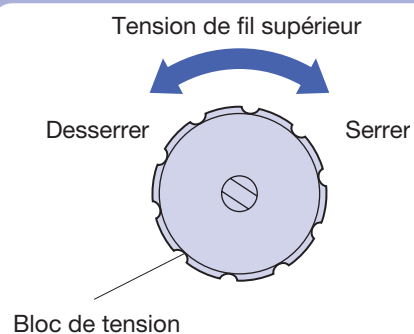
Interrupteur d'alimentation principal

- Mettez l'interrupteur d'alimentation en position « I » pour mettre la machine sous tension.
- Pour éteindre la machine, mettez l'interrupteur d'alimentation en position « O ».



Bouton de tension du fil

- Pour augmenter la tension du fil, tournez le sélecteur de tension vers la droite. Le fil supérieur et le fil de la canette se rejoignent sur l'endroit du tissu.
- Pour diminuer la tension du fil, tournez le sélecteur de tension vers la gauche. Le fil supérieur et le fil de la canette se rejoignent sur l'envers du tissu.

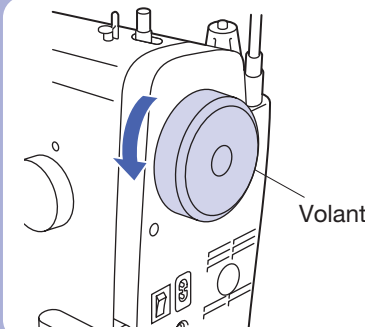


Volant

- Positionnez l'aiguille à l'aide du volant.
- * Toujours faire tourner le volant vers soi.

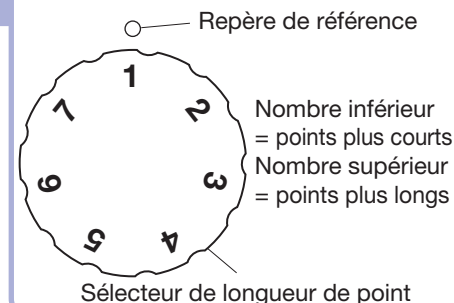
⚠ ATTENTION

Veillez à dégager la zone en dessous et autour de l'aiguille.



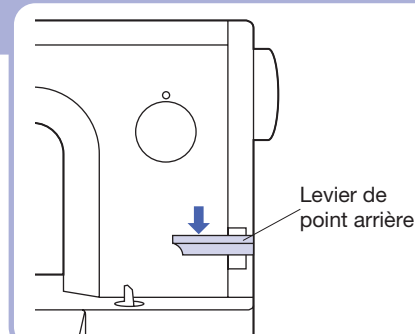
Sélecteur de longueur de point

- Réglez la longueur de point à l'aide du sélecteur de longueur de point.



Levier de point arrière

- Pour coudre en marche arrière, abaissez le levier de point arrière.
- * Abaissez en continu et au maximum le levier pour coudre en marche arrière.
- * Lorsque le sélecteur de longueur de point est réglé entre 5-7 mm, la longueur du point arrière est toujours de 5 mm.



Avant de commencer (2)

Touche coupe-fil

⚠ ATTENTION

Si la machine s'arrête, notamment en cas de bourrage de fils, ne pas appuyer sur la pédale ; mettre la machine hors tension et déplacer l'aiguille avec le volant pour vérifier la situation. Sinon, l'aiguille risque de casser.

- Le coupe-fil coupe le fil supérieur et le fil de la canette à la fin des coutures.



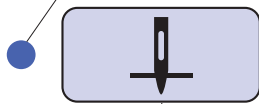
Touche coupe-fil

- * Veillez à ce que le levier du pied-de-biche soit abaissé avant utilisation.

Touche position d'arrêt d'aiguille

- Quand le voyant indicateur est allumé, la machine s'arrête automatiquement avec l'aiguille baissée, plantée dans le tissu.
- Quand le voyant indicateur est éteint, l'aiguille s'arrête au positionnement d'interruption dans sa course. Sa hauteur peut alors différer à chaque fois.
- Si le dispositif de sécurité est activé, par exemple si le fil est emmêlé, le voyant indicateur clignote. (page 54)

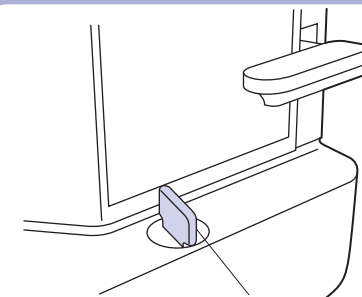
Voyant indicateur



Touche position d'arrêt d'aiguille

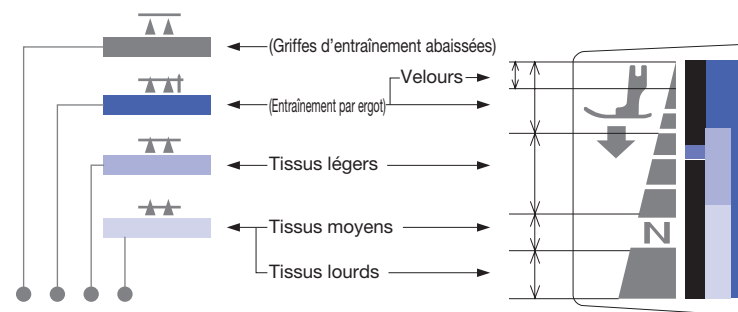
Bouton de réglage des griffes d'entraînement

- Il est possible de régler la hauteur des griffes d'entraînement en fonction du poids du tissu.




Bouton de réglage des griffes d'entraînement

Pression du pied-de-biche et position des griffes d'entraînement



Sélectionnez l'une des quatre positions des griffes d'entraînement, en fonction des besoins.

Remarque

- Si on sélectionne un réglage autre que , le mécanisme d'entraînement par ergot ne fonctionnera pas.
- Coordonnez le code de couleur pour obtenir un réglage correct de la pression du pied et des griffes d'entraînement.
- Quand vous activez le mécanisme d'entraînement par ergot, utilisez uniquement le pied à réaction souple ou le pied à usage général.

Remplacement de l'aiguille

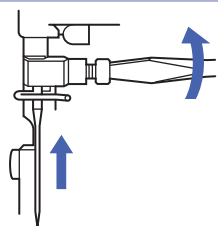
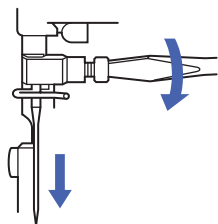
⚠ ATTENTION

- Bien éteindre la machine à coudre avant d'effectuer les opérations suivantes. Sinon, la machine risque de se mettre en marche accidentellement et de provoquer des blessures.
- N'utilisez que les aiguilles pour machine à coudre recommandées. N'utilisez pas d'autres aiguilles; elles risqueraient de casser et de vous blesser. (page 45)

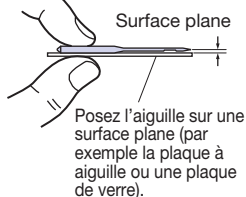
Remplacement de l'aiguille

- ① Eteindre la machine. Relevez l'aiguille sur la position de levage maximal à l'aide du volant, et abaissez le pied-de-biche.
- ② Desserrez la vis avec un tournevis et retirez l'aiguille.
- ③ Tenir l'aiguille avec la section plate sur la droite, et insérez l'aiguille à fond. Assurez-vous de fixer correctement l'aiguille au support de l'aiguille en vissant à fond.

- * Si l'aiguille n'est pas insérée correctement ou si la vis est trop lâche, l'aiguille risque de se casser ou la machine risque de tomber en panne et l'enfileur ne fonctionnera pas.
- * Vérifiez les aiguilles sur une surface plane pour s'assurer qu'elles ne sont pas tordues.

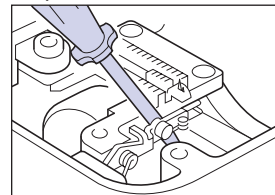


L'aiguille doit être parallèle par rapport à une surface plane.



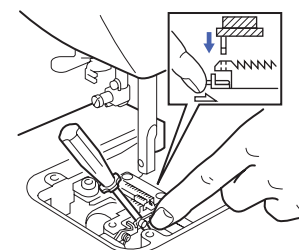
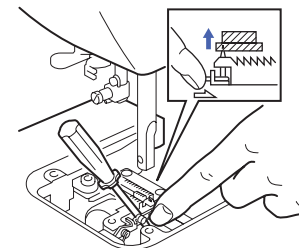
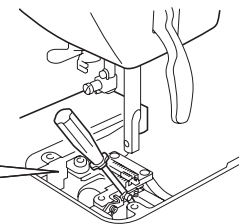
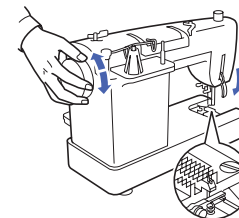
Remplacement de l'ergot d'entraînement

- ① Réglez les griffes d'entraînement sur la position « velours ». (Voir page 37.)
- ② Enlevez l'aiguille (page 38), le pied-de-biche et la plaque à aiguille (page 52).
- ③ Abaissez le pied-de-biche et tournez le volant jusqu'à ce que l'ergot d'entraînement soit à la position de levage maximale.
- ④ Insérez le petit tournevis (fourni) comme indiqué sur le schéma.



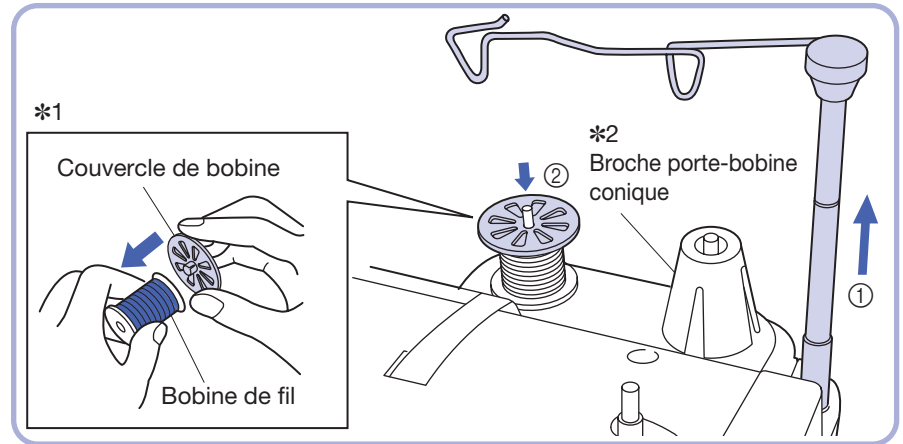
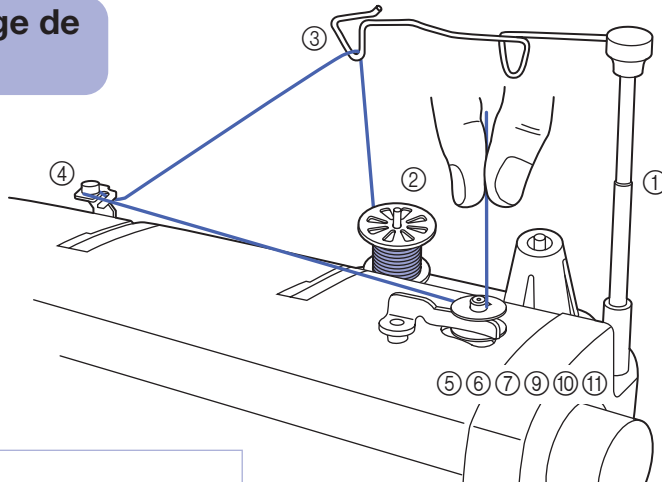
- ⑤ Tout en maintenant le ressort du bout des doigts, abaissez le changeur d'ergot d'entraînement sur l'extrémité de l'ergot d'entraînement pour l'attraper.

- ⑥ Fixez un nouvel ergot d'entraînement au changeur d'ergot d'entraînement, abaissez et fixez tout en tenant le ressort du bout des doigts.
- ⑦ Retirez le tournevis.
- ⑧ Remontez la plaque à aiguille et le pied-de-biche.



Bobinage/installation de la canette

Remplissage de la canette



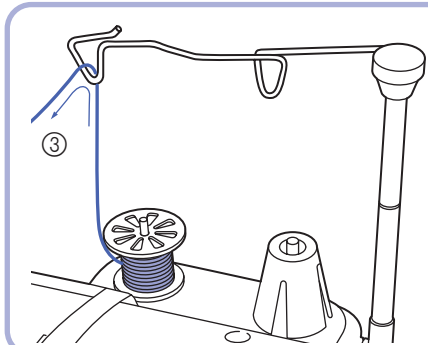
- ① Relevez la barre de guidage du fil au maximum.
- ② Placez une bobine de fil sur le porte-bobine.

- *1 Avec un fil enroulé parallèlement, utilisez le couvercle de bobine.
- *2 Utiliser la broche porte-bobine conique pour stabiliser les bobines de fil en forme de cône.

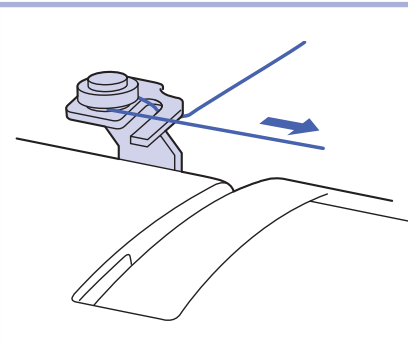
Remarque

Ne pas déplacer la butée de canette pendant que la machine fonctionne.

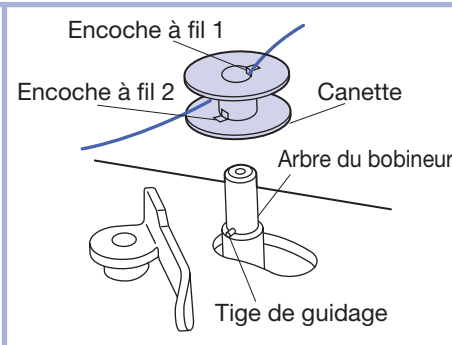
⑤ - ⑪: Voir les illustrations suivantes.



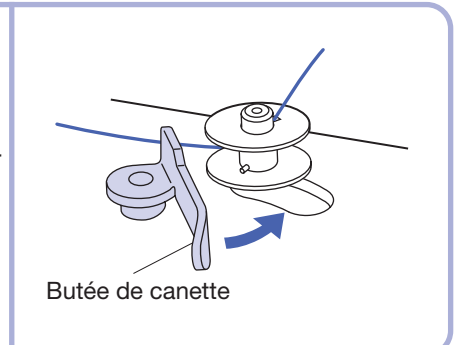
③ Passez le fil par l'orifice triangulaire.



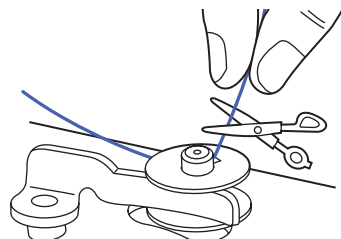
④ Passez le fil par le guide-fil de bobinage de la canette comme illustré sur le schéma.



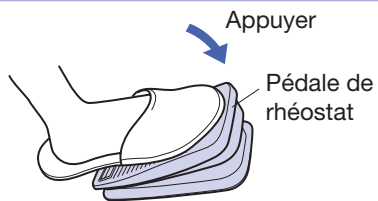
⑤ Faire passer le fil dans l'encoche supérieure 1, puis tournez la canette de façon à aligner l'encoche inférieure 2 de la canette sur la tige de guidage de l'arbre du bobineur.



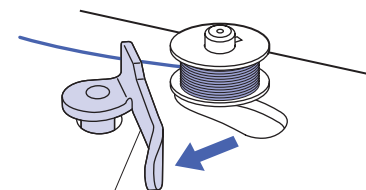
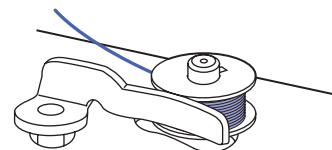
⑥ Poussez la butée de canette contre la canette vide. Si la butée de canette ne glisse pas facilement entre le côté supérieur et le côté inférieur de la canette, vérifiez si la canette est installée correctement, avec la tige de guidage (⑤) insérée dans l'encoche inférieure.



* Placez l'extrémité du fil de façon qu'il ne ressorte pas de la canette.



* Si vous appuyez plus fort sur la pédale, la vitesse de bobinage augmente.



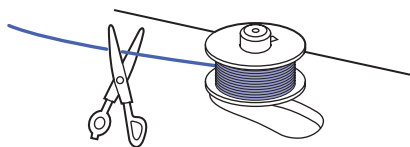
Butée de canette

⑦ Tout en tenant l'extrémité du fil, appuyez sur la pédale pendant quelques secondes. Quand il s'est enroulé suffisamment de fil sur la canette pour que le fil reste en place, relâchez la pédale et coupez l'excédent de fil.

⑧ Recommencez à bobiner la canette en appuyant sur la pédale.

⑨ Arrêtez le bobinage lorsque la canette est pleine. Lâchez la pédale.

⑩ A la main, ramenez la butée de canette à sa position d'origine.

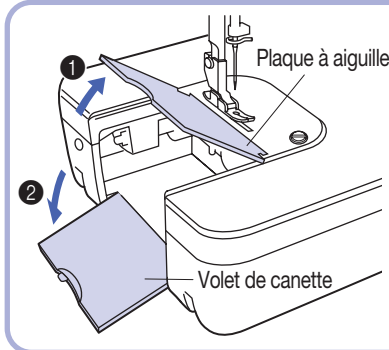


⑪ Coupez le fil et enlevez la canette.

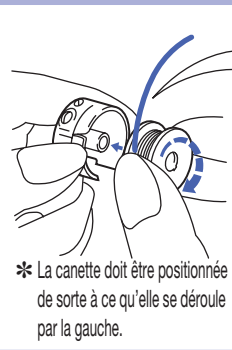
Installation de la canette

⚠ ATTENTION – Déplacement des pièces –

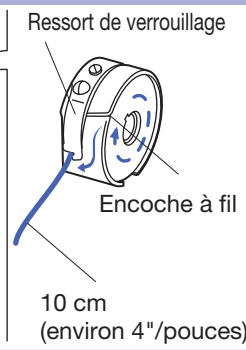
Pour éviter tout risque de blessure, toujours éteindre la machine avant toute intervention technique. Ouvrir les couvercles.



① Soulevez la plaque à aiguille et ouvrez le volet de la canette.

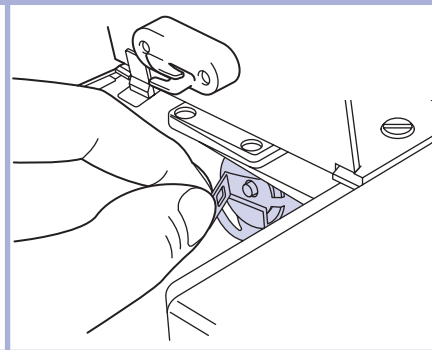


* La canette doit être positionnée de sorte à ce qu'elle se déroule par la gauche.



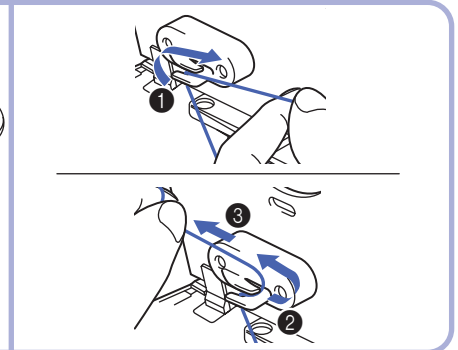
② Placez la canette à l'intérieur du boîtier de la canette.

- * Faire passer le fil dans l'encoche prévue et sous le ressort de tension de manière à laisser sortir quelques cm de fil.
- * Toujours utiliser le boîtier de canette livré avec la machine. Un deuxième boîtier peut également être commandé auprès de votre détaillant Baby Lock.



③ Tirez sur le levier de verrouillage du boîtier de la canette, enfoncez le boîtier de la canette dans la coursière de navette et relâchez le levier de verrouillage.

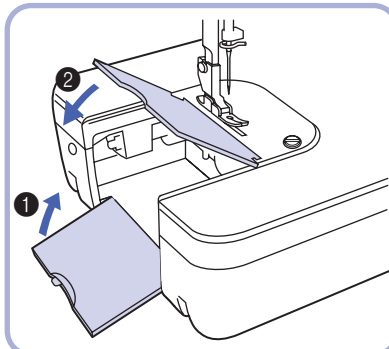
- * Si le levier de verrouillage du boîtier de la canette n'est pas placé correctement sur le crochet, il risque d'être éjecté pendant la couture et de provoquer des ruptures du fil inférieur. Tournez le volant d'un tour complet vers soi pour s'assurer que le boîtier de la canette est bien en place.



④ Passez le fil dans le dispositif de remontée rapide du fil de la canette dans l'ordre numéroté ① ②, tirez dans le sens de la flèche ③ puis coupez le fil.

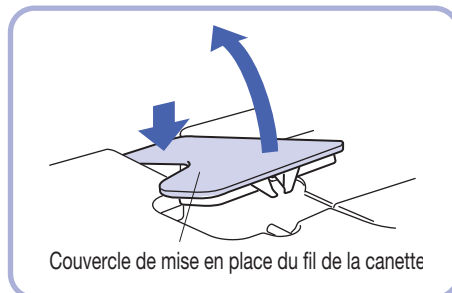
★ Dispositif de remontée rapide du fil de la canette

Ce dispositif coupe le fil de la canette à une longueur appropriée après le remplacement de la canette et le garde à cette longueur. Il est alors inutile de tirer manuellement le fil de la canette par l'orifice de la plaque à aiguille. Fermez simplement le boîtier de la canette et poursuivez le processus de mise en place du fil supérieur.



⑤ Abaissez la plaque à aiguille et refermez le volet de la canette en suivant l'ordre ① ② ci-dessus.

● Lorsque la table d'extension est en place



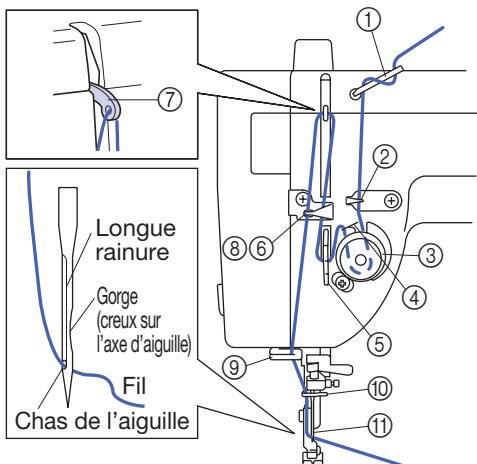
Ouvrez au préalable le couvercle de mise en place du fil de la canette, puis mettez le fil de la canette en place en respectant les instructions indiquées ci-dessus. (Il est possible de mettre le fil de la canette en place sans retirer la table d'extension.)

Enfilage supérieur

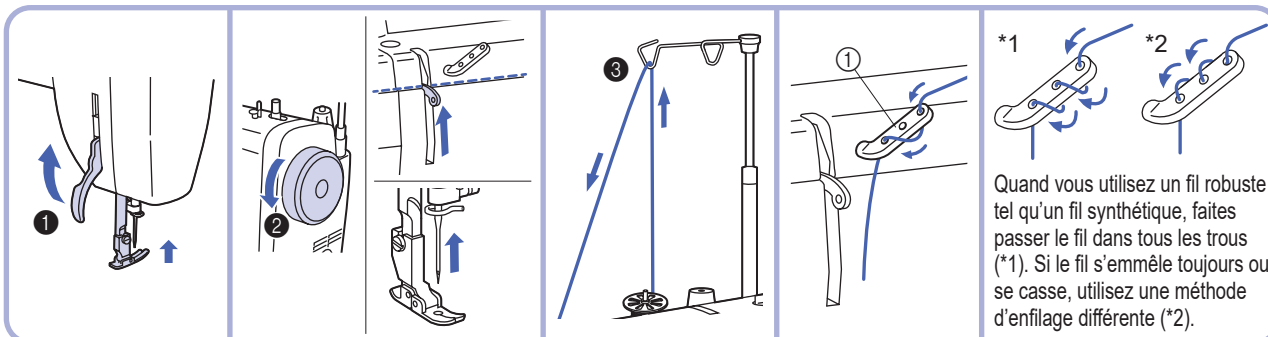
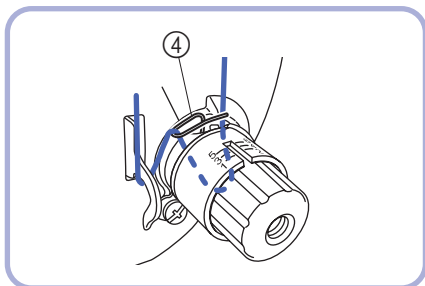
⚠ ATTENTION

Coupez l'alimentation électrique de la machine avant d'enfiler le fil supérieur. Sinon, vous pourriez vous blesser en appuyant sur la pédale par inadvertance.

Enfilage supérieur



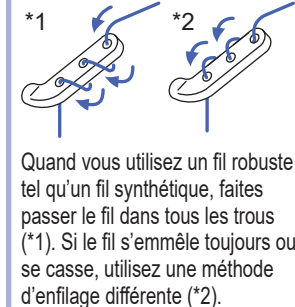
* Il est possible que la tension du fil ne soit pas réglée de manière adéquate si le fil ne passe pas correctement dans le ressort de remontée (4).



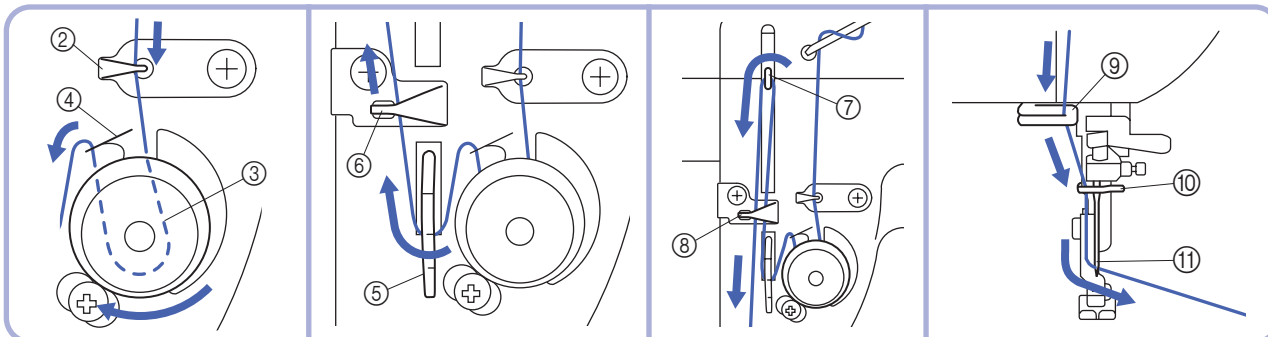
* Avant d'enfiler la machine, préparez-la comme décrit ci-dessous.

- ① Relevez le levier du pied-de-biche.
- ② Tournez le volant vers vous jusqu'à ce que le levier de remontée du fil soit positionné comme illustré sur le schéma. L'aiguille est relevée à sa position la plus haute.
- ③ Faites passer le fil dans le trou triangulaire de la barre du guide-fil. (page 39)

- ④ En commençant par le trou à l'extrémité droite, faites passer le fil par le dessus dans les trous du guide-fil à trois trous.



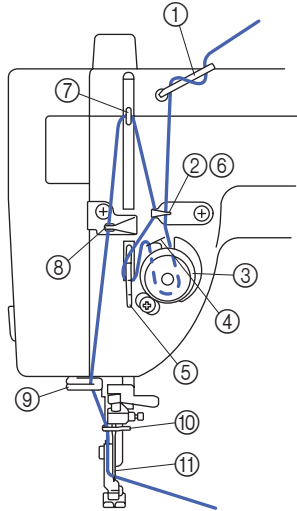
Quand vous utilisez un fil robuste tel qu'un fil synthétique, faites passer le fil dans tous les trous (*1). Si le fil s'emmêle toujours ou se casse, utilisez une méthode d'enfilage différente (*2).



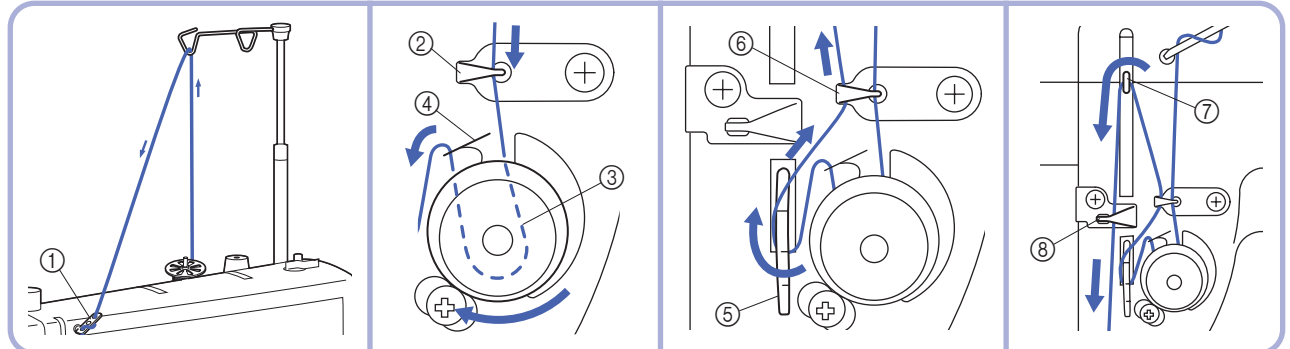
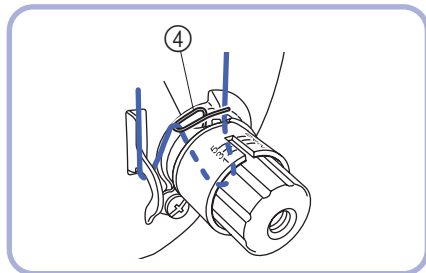
- ② Faites passer le fil dans le guide-fil (droite).
- ③ Faites passer le fil dans le sens des aiguilles d'une montre autour du bouton de tension du fil.
- ④ Faites passer le fil dans le ressort de remontée du fil.
- ⑤ Faites passer le fil dans le guide-fil (inférieur).
- ⑥ Faites passer le fil dans le guide-fil (gauche).
- ⑦ Faites passer le fil dans le levier de remontée du fil de la droite vers la gauche.
- ⑧ Faites passer le fil dans le guide-fil (gauche).
- ⑨ Faites passer le fil dans le guide-fil.
- ⑩ Faites passer le fil derrière le guide-fil de la barre à aiguille.
- ⑪ Faites passer le fil dans l'aiguille de la gauche vers la droite. * Pour plus de détails sur l'utilisation de l'enfileur, reportez-vous à la page 44.

Enfilage supérieur pour tissus épais ou lors de l'utilisation de fils plus épais

Pour un fil supérieur plus tendu, comme quand vous cousez des tissus épais ou utilisez des fils plus épais, enfilez la machine comme décrit ci-dessous.



* Il est possible que la tension du fil ne soit pas réglée de manière adéquate si le fil ne passe pas correctement dans le ressort de remontée (4).



① Reportez-vous à la page 42 pour enfiler le guide-fil à trois trous.

② Faites passer le fil dans le guide-fil (droite).

③ Faites passer le fil dans le sens des aiguilles d'une montre autour du bouton de tension du fil.

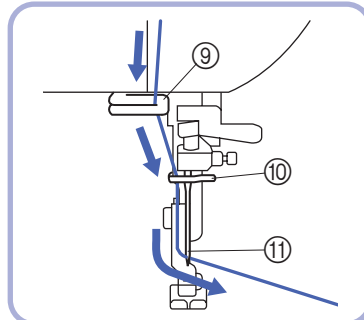
④ Faites passer le fil dans le ressort de remontée du fil.

⑤ Faites passer le fil dans le guide-fil (inférieur).

⑥ Faites passer le fil dans le guide-fil (droite) une nouvelle fois.

⑦ Faites passer le fil dans le levier de remontée du fil de la droite vers la gauche.

⑧ Faites passer le fil dans le guide-fil (gauche).

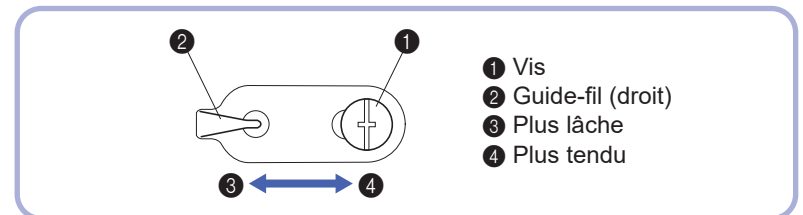


⑨ Faites passer le fil dans le guide-fil.

⑩ Faites passer le fil derrière le guide-fil de la barre à aiguille.

⑪ Faites passer le fil dans l'aiguille de la gauche vers la droite.

* Pour plus de détails sur l'utilisation de l'enfile-aiguille, reportez-vous à la page 44.



- ① Vis
- ② Guide-fil (droit)
- ③ Plus lâche
- ④ Plus tendu

La tension du fil supérieur peut être réglée en faisant glisser le guide-fil (droit) vers la gauche ou vers la droite. Desserrez la vis, puis faites glisser le guide-fil (droit) vers la position souhaitée. Une fois le guide-fil dans la position souhaitée, serrez la vis pour fixer le guide.

La tension générale du fil se règle à l'aide du bouton de tension. Reportez-vous à la page 45.

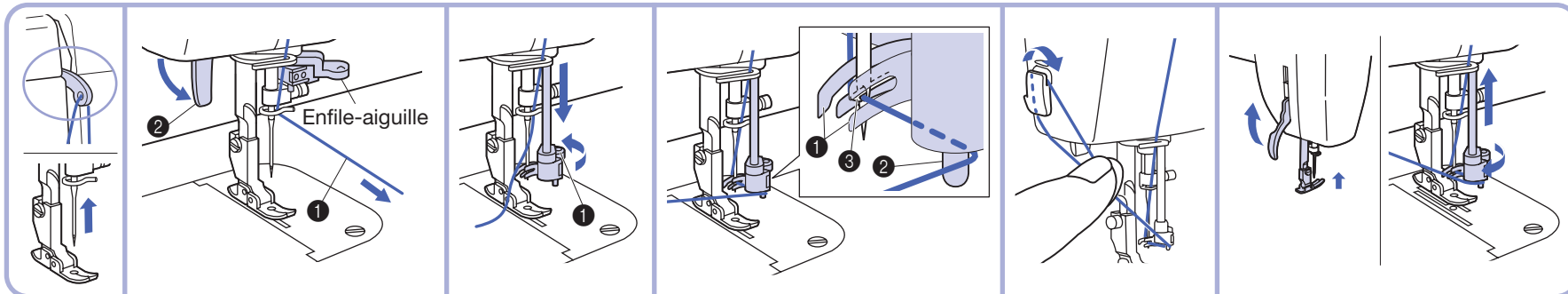
* Utilisez l'aiguille adaptée au fil ou l'aiguille de surpiqûre quand vous utilisez des fils plus épais. Réglez la longueur du point et la tension selon les besoins.

⚠ ATTENTION

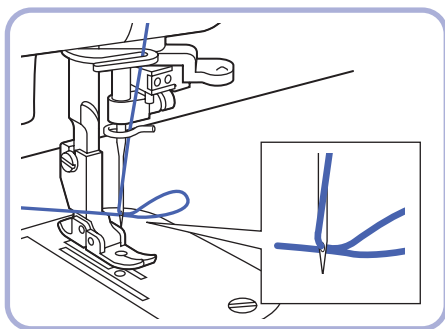
Veillez à bien couper l'alimentation électrique avant d'utiliser l'enfile-aiguille. Vous risquez de vous blesser si vous appuyez accidentellement sur la pédale.

Utilisation de l'enfile-aiguille

- * Vous pouvez utiliser l'enfile-aiguille avec des aiguilles #11 à #16.
Quand vous utilisez des aiguilles #9 ou plus fines, enfiler l'aiguille manuellement.



- ① Veillez à positionner le levier de remontée du fil comme illustré sur le schéma et à relever l'aiguille à sa position la plus haute.
- ② En tenant le fil de votre main gauche, sortez environ 20 cm (environ 8"/pouces) (1), puis abaissez le levier du pied-de-biche (2).
- ③ Abaissez complètement l'enfile-aiguille (1), puis faites-le pivoter complètement vers l'arrière.
- ④ Faites passer le fil complètement entre les doigts du crochet (1), puis faites passer le fil autour du côté droit de la goupille (2). Le crochet (3) attrape le fil.
- ⑤ Faites passer le fil dans le coupe-fil de l'arrière vers l'avant pour le couper.
- ⑥ Soulevez le levier du pied-de-biche, puis remettez l'enfile-aiguille dans sa position d'origine. Le crochet fait passer le fil dans le chas de l'aiguille.

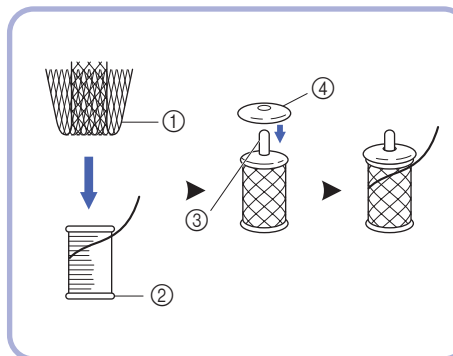


- ⑦ Tirez soigneusement la boucle vers la droite pour enfiler l'aiguille.

- L'enfile-aiguille ne peut pas être utilisé avec les combinaisons fil/aiguille indiquées dans le tableau ci-dessous.
Un fil de nylon transparent pourra être utilisé indépendamment des indications du tableau, à condition d'utiliser une aiguille #14 ou #16.

Aiguille (HLX5)	Fil
#11	#20 #30
#14	#20 #30
#16	#20

Utilisation du filet de la bobine



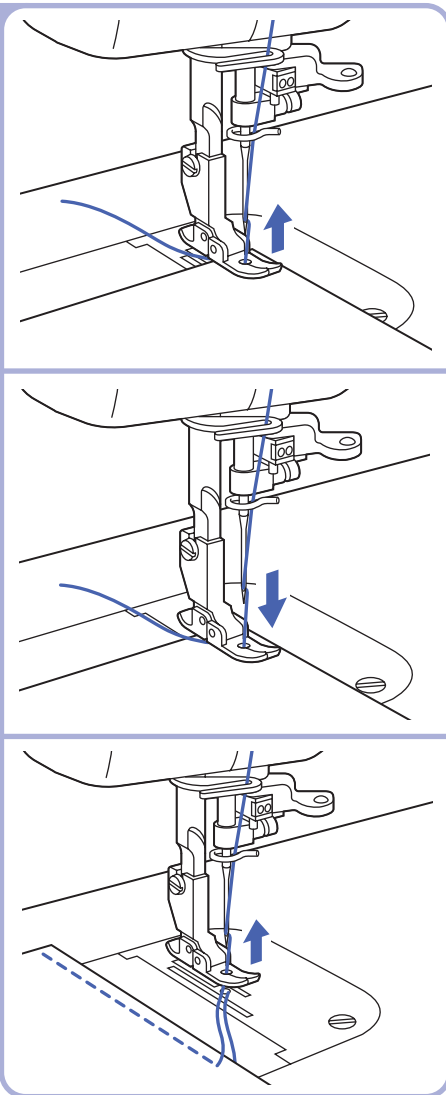
Lorsque vous utilisez des fils en nylon transparent, métalliques ou autres fils épais, placez le filet de la bobine inclus sur la bobine avant de coudre. Si le filet de la bobine est trop long, pliez-le une fois pour qu'il soit de la même taille que la bobine avant de le placer sur la bobine.

- ① Filet de la bobine
- ② Bobine de fil
- ③ Porte-bobine
- ④ Couvercle de bobine

Points d'essai et tableau d'aiguilles

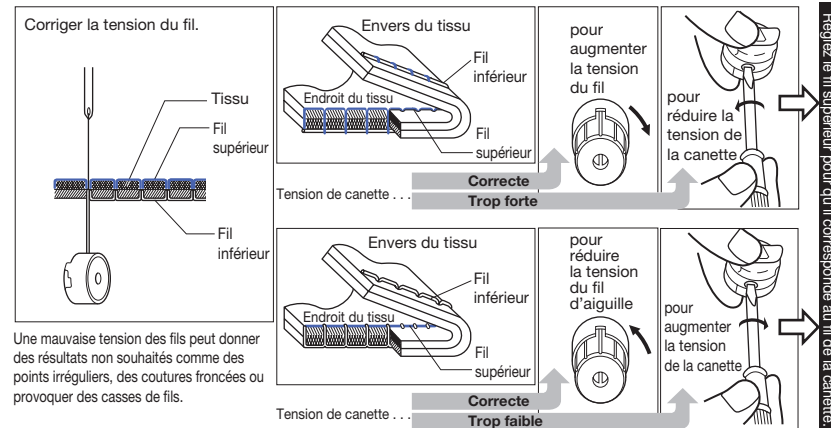
Points d'essai

- ① Réglez le sélecteur de longueur de point sur la longueur de point voulue.
 - ② Veillez à tirer environ 15 cm (environ 6"/pouces) de fil supérieur sous le pied-de-biche et vers l'arrière de la machine. L'aiguille étant en position relevée, mettez un morceau de tissu sous le pied-de-biche pour faire un essai.
 - ③ Abaissez le pied-de-biche.
 - ④ Tournez le volant vers soi pour abaisser l'aiguille et la piquer dans le tissu puis appuyez doucement sur la pédale pour commencer à coudre.
 - ⑤ Tournez le volant vers soi pour relever complètement l'aiguille et le levier d'enfilage.
 - ⑥ Relevez le pied-de-biche et enlevez le tissu. Coupez manuellement le fil avec le coupe-fil situé à gauche de la machine ou avec une paire de ciseaux.
- * Si on utilise le coupe-fil :
- ⑤ Appuyez sur la touche du coupe-fil pendant que le levier du pied-de-biche est abaissé.
 - ⑥ Relevez le pied-de-biche et enlevez le tissu.



Tension des fils

* Le fil de canette doit être alimenté régulièrement. Réglez le fil de canette en fonction de la tension du fil supérieur. (Si le fil de canette est trop serré, le tissu risque de se plisser.)



Une mauvaise tension des fils peut donner des résultats non souhaités comme des points irréguliers, des coutures froncées ou provoquer des casses de fils.

● Combinaisons tissu/fil/aiguille

* Le tableau ci-dessous concerne différentes combinaisons de tissus, de fils et d'aiguilles.

	Combinaisons tissu-fil-aiguille			HLX5	Schmetz 130/705H
	Tissu	Fil	Aiguille (HLX5)		
Tissu spécial	Velours	Soie, polyester #30 – #50	#11 – #14	#9	#65
	Quilting (Courtepointe)	Polyester #20 – #50	#11 – #16	#11	#75
	Daim synthétique	Polyester #20 – #50		#14	#90
	Jersey	Polyester #20 – #50		#16	#100
	Revêtement	Polyester #50	#11 – #14	#18	#110
Tissu léger	Batiste	Coton #80	#9		
	Tricot	Polyester #60			
	Soie Georgette	Soie #50			
	Laine Georgette	Soie, polyester #50	#11		
Tissu moyen	Vichy	Coton #60 – #80	#11 – #14		
	Tricot léger, jersey	Polyester #60	#11		
	Gabardine, flanelle	Soie #50			
Tissu lourd	Jeans	Coton #20 – #50	#14 – #18		
	Jersey	Polyester #20 – #50	#11 – #16		
	Tweed	Soie #20 – #50			

* Il est recommandé d'utiliser des aiguilles HLX; toutefois, on pourra également utiliser des aiguilles Schmetz 130/705H dans des conditions normales d'utilisation.

* Réglez la molette de la pression et le bouton des griffes d'entraînement en fonction du tableau repris sur la machine à coudre.

* Avec des tissus comme du jersey ou des tricots, utilisez une aiguille à pointe boule ou toute autre aiguille spécialement conçue pour les tricots.

* Pour obtenir les meilleurs résultats avec des fils métalliques, utilisez un fil de bonne qualité, réglez la tension supérieure sur 2, et utilisez une aiguille pour fil métallique.

Changement du pied-de-biche

⚠ ATTENTION

Bien éteindre la machine avant de changer le pied-de-biche.

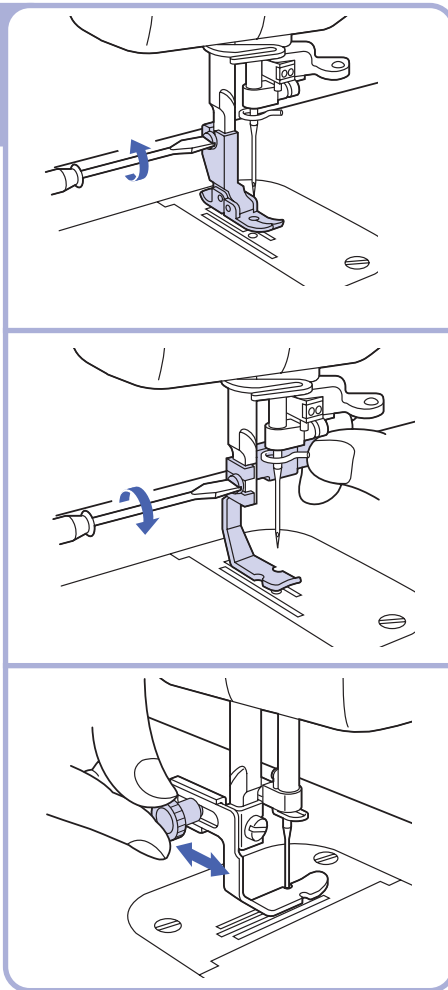
Changement du pied-de-biche (Pied pour fermeture à glissière)

- 1 Relevez le pied-de-biche et relevez l'aiguille à la position maximale.
- 2 Desserrez la vis à l'aide d'un tournevis.

- 3 Fixez le pied pour fermeture à glissière et resserrez la vis.

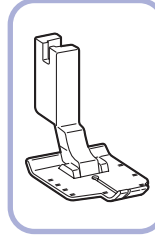
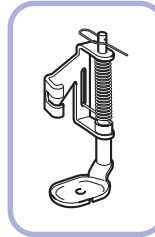
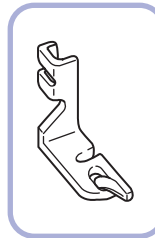
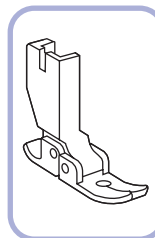
* Procédez de la même façon pour fixer l'autre pied fourni avec votre machine.

- * Utilisez le bouton de position au dos du pied pour fermeture à glissière pour régler la position du pied par rapport à l'aiguille.
- * Seul le pied pour fermeture à glissière possède un bouton de position. On peut commencer à coudre avec tous les autres pieds-de-biche dès que le pied est fixé.



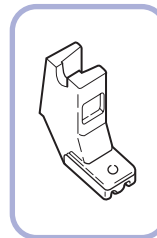
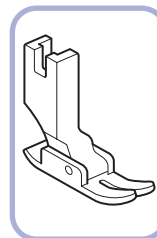
Les différents pieds-de-biche

- **Pied à réaction souple**
Pour obtenir des points parfaits sur des tissus difficiles comme le velours, le cuir et le daim.
- **Pied pour ourlet roulotté**
S'utilise sur le bord du tissu, comme sur les ourlets des chemises, pour replier le bord du tissu tout en cousant.
- **Pied pour quilting (courtepointe) en mouvement libre**
Pied à ressort pour le reprisage, le quilting (courtepointe) ou la broderie en mouvement libre.
- **Pied 1/4"/pouce**
Pour la couture de quilting (courtepointe) et de patchwork avec un déplacement de 1/4"/pouce et 1/8"/pouce.

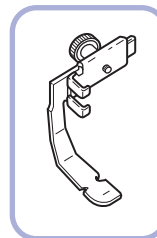


* Utilisez les pieds-de-biche fournis avec votre machine. Chaque pied a été spécialement conçu pour cette machine et possède au dos l'espace nécessaire pour la tige.

- **Pied à usage général**
Ce pied convient pour la plupart des travaux de couture. (Sert également pour les tissus lourds.)
* Lors de la couture d'ourlets épais, guider légèrement le tissu en plaçant la main à l'envers de la couture.
* Peut également être utilisé avec un entraînement par ergot.
- **Pied pour fermeture à glissière invisible**
Permet de fixer des fermetures à glissière invisibles.

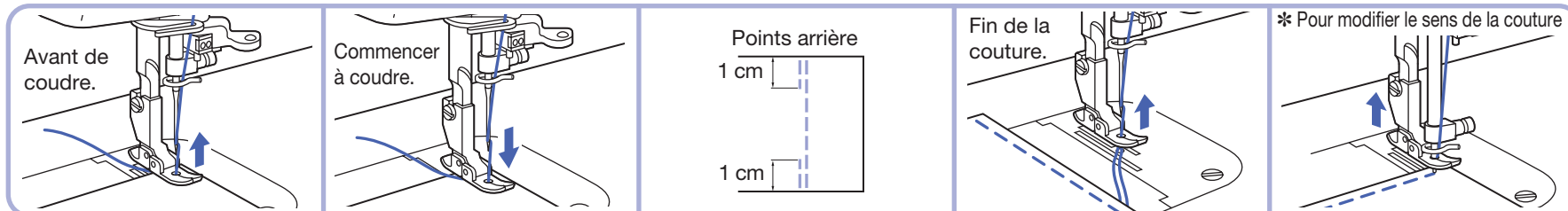


- **Pied pour fermeture à glissière**
Permet de fixer des fermetures à glissière autres que les fermetures invisibles. Vous pouvez également utiliser le pied-de-biche pour maintenir le passepoil en place lors de la couture. Utilisez le côté du pied le plus proche de l'aiguille pour s'appuyer contre le bord du passepoil lors de la couture.



Couture de base (1)

Couture de base



① Soulevez le pied-de-biche, tirez environ 15 cm (environ 6"/pouces) de fil sous et derrière le pied et positionnez le tissu sous le pied.

② Abaissez le levier pour abaisser le pied-de-biche.
③ Tournez le volant vers soi pour abaisser l'aiguille et la piquer dans le tissu puis appuyez légèrement sur la pédale pour commencer à coudre.

* Au début et à la fin d'une couture, appuyez sur le levier de point arrière et coudre en marche arrière sur environ 1 cm (environ 3/8"/pouce).

④ Relevez l'aiguille au maximum.
⑤ Relevez le pied-de-biche, retirez le tissu et coupez le fil.
* Quand vous utilisez le coupe-fil :
④ Appuyez sur la touche coupe-fil (le fil supérieur et le fil de canette se coupent automatiquement et l'aiguille s'arrête en position relevée).
⑤ Relevez le pied-de-biche et retirez le tissu.

① Assurez-vous que l'aiguille a complètement traversé le tissu.
② Relevez le pied-de-biche et tournez le tissu en utilisant l'aiguille comme axe.
③ Abaissez le pied-de-biche et continuez à coudre.

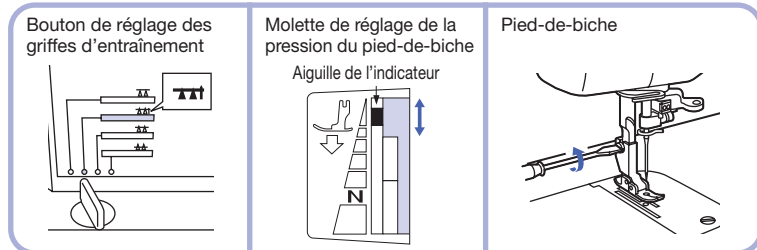
Entraînement par ergot (pour les tissus difficiles à manipuler)

Il est possible de parfaitement raccorder des tissus comme le velours, le tissu pour quilting (courtepointe), le daim synthétique, les jerseys, etc... en activant le mécanisme d'entraînement par ergot.

● Configuration de la machine pour l'entraînement par ergot

● Mécanisme d'entraînement par ergot

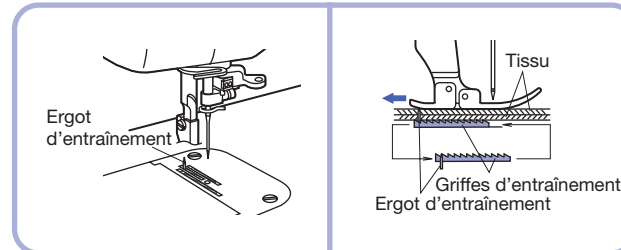
● Commencer à coudre



① Déplacez le bouton de réglage des griffes d'entraînement en position d'entraînement par ergot.

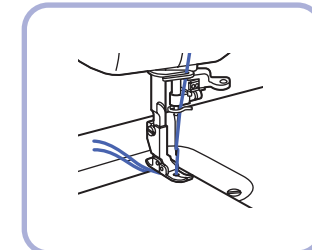
② Réglez la molette de la pression jusqu'à ce que l'indicateur d'aiguille se trouve sur la position correcte dans la zone codée de correspondance des couleurs.

③ Fixez le pied à réaction souple pour des points parfaits sur des tissus difficiles tels que le velours, le cuir et le daim.



L'ergot d'entraînement remonte de façon à traverser toutes les épaisseurs de tissu et il se déplace sous l'effet du mouvement des griffes d'entraînement de manière à entraîner le tissu de façon uniforme.

* Pour des raisons de sécurité, l'ergot d'entraînement s'abaisse automatiquement quand on relève le pied-de-biche.



Tirez délicatement sur le fil jusqu'à ce que l'ergot d'entraînement attrape le tissu, et coudre.

⚠ ATTENTION

Lorsque le levier du pied-de-biche est abaissé, l'ergot d'entraînement est positionné en haut sur les griffes d'entraînement. Éloignez vos mains de l'ergot d'entraînement.

Couture de base (2)

⚠ ATTENTION

Bien éteindre la machine avant de changer le pied-de-biche.

Pied pour ourlet roulotté

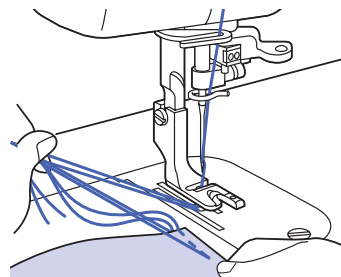
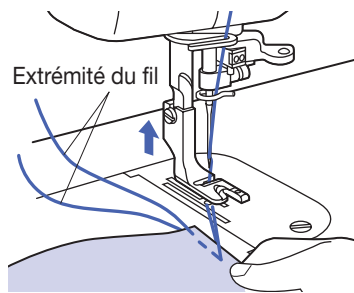
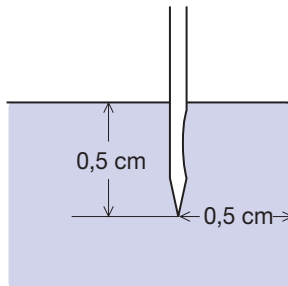
- ① Fixez le pied pour ourlet roulotté.
* Pour le changement des pieds-de-biche, voir page 46.

- ② Placez le tissu (l'envers vers le haut) sous le pied-de-biche. Insérez l'aiguille à environ 0,5 cm (environ 3/16"/pouce) du bord du tissu et coudre 2 points.

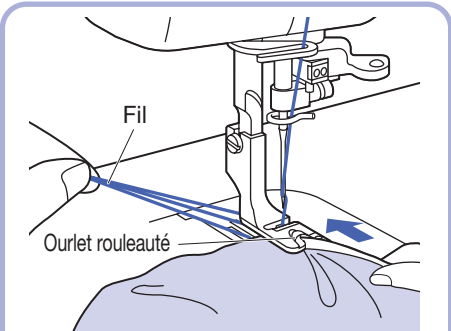
- ③ Tournez le volant vers soi pour relever l'aiguille, relevez le pied-de-biche puis tirez le tissu vers l'avant.

- * Veillez à ne pas désefiler le tissu lorsque vous tirez vers l'avant.

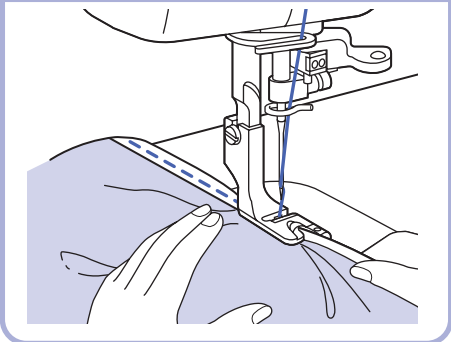
- ④ Tenir les 4 fils de la main gauche.



- ⑤ De la main droite, placez le bord de l'ourlet roulotté sous le pied-de-biche, au point où les fils ressortent. Puis insérez le bord de façon qu'il se trouve juste sous l'aiguille. Abaissez le pied-de-biche.



- ⑥ Tirez délicatement sur les fils de la main gauche pendant la couture des 3 ou 4 premiers points de façon qu'ils restent en place.
⑦ Repliez l'ourlet sur environ 0,5 cm (environ 3/16"/pouce) et continuez à faire avancer l'ourlet replié sous le pied tout en cousant vers le guide recourbé du pied.



Couture de base (3)

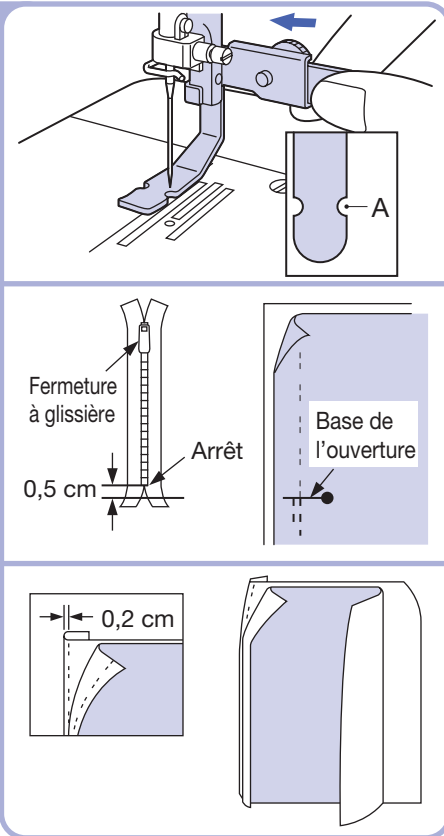
⚠ ATTENTION

Bien éteindre la machine avant de changer le pied-de-biche.

- * Pour coudre une fermeture à glissière sur un tissu extensible, utiliser la méthode d'entraînement par ergots, et régler la pression du pied en conséquence.
- * Le pied pour fermeture à glissière peut également servir de guide lors de la fixation de rouleaux au tissu.

Pied pour fermeture à glissière

- Fixez le pied pour fermeture à glissière.
- Tournez le volant vers soi pour abaisser l'aiguille et réglez la position du pied par rapport à l'aiguille; utilisez la vis de réglage pour faire glisser le pied de la gauche vers la droite.
- Placez la fermeture à glissière à l'endroit du tissu où elle doit être cousue, et marquez la base de l'ouverture sur le tissu. Elle devra se trouver à environ 0,5 cm (environ 3/16"/pouce) en dessous de l'arrêt de la fermeture à glissière. Coudre à partir du dessous de la base de l'ouverture.
- Divisez la marge de la couture. Pliez la marge de la couture avec la partie superposée de la fermeture à glissière au-dessous, à 0,2 cm (environ 1/16"/pouce) de l'extérieur du trait.



- Faufilez la fermeture à glissière pour la fixer puis coudre le long du trait.

⚠ ATTENTION

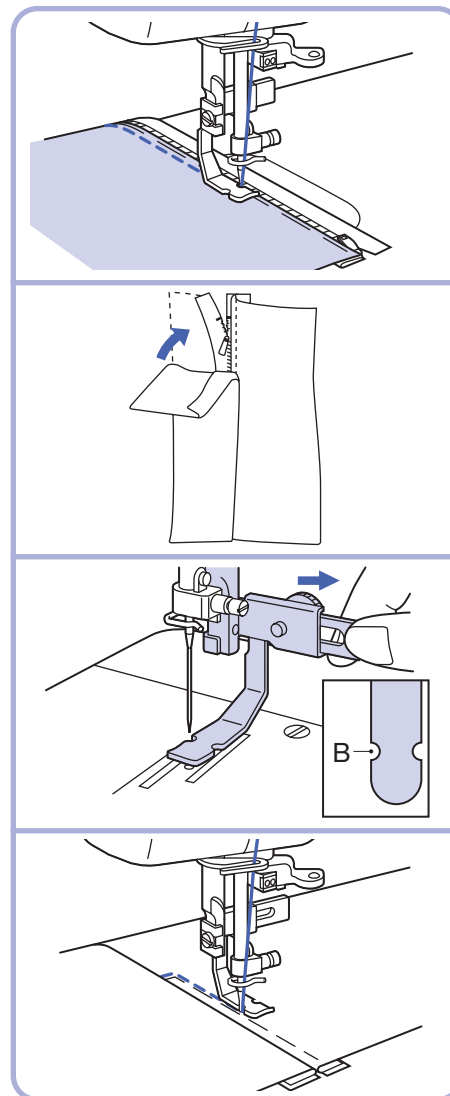
Veiller à ce que l'aiguille ne heurte pas la section métallique de la fermeture à glissière pendant la couture. L'aiguille pourrait se casser et provoquer des blessures.

- Alignez l'ourlet replié à l'envers sur les points.

- Changez la position du pied pour fermeture à glissière.
- Tournez le volant pour abaisser l'aiguille et mettez le pied-de-biche en place.

- Tournez l'endroit du tissu vers le haut, faufilez la fermeture à glissière sur le tissu puis coudre le bord du faufilage.

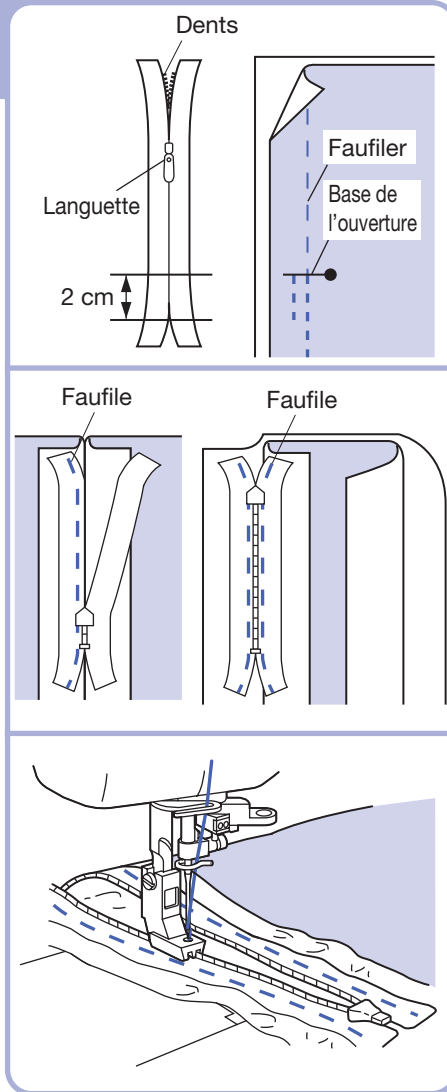
- * Renforcez la base de l'ouverture en la cousant deux fois.
- * Si la languette de la fermeture à glissière gêne la couture, enfoncez l'aiguille au maximum dans le tissu, relevez le pied et déplacez la fermeture à glissière.



Pied pour fermeture à glissière invisible

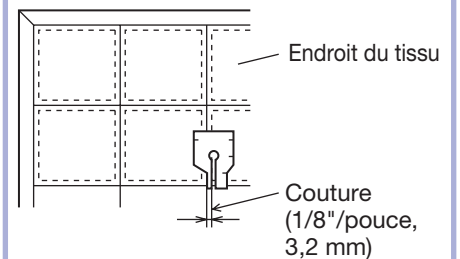
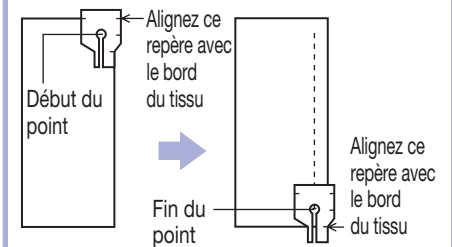
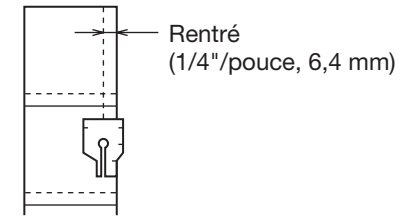
- ① Fixez le pied pour fermeture à glissière invisible.
- ② Disposez la fermeture à glissière sur le tissu. Marquez la base de l'ouverture à environ 2 cm (environ 3/4"/pouce) au-dessus de l'extrémité de la fermeture à glissière.
- ③ Faufilez l'emplacement de la fermeture à glissière.
- ④ Séparez l'espace de la couture.
- ⑤ Lorsque la fermeture à glissière est en place, faufilez uniquement la marge de la couture d'un côté de la fermeture à glissière.
- ⑥ Remontez la fermeture à glissière pour la fermer et faufilez l'autre côté.
- ⑦ Retirez le faufilage à l'emplacement de la fermeture à glissière.
- ⑧ Placez les dents de la fermeture à glissière dans la rainure du pied-de-biche, les guider pour éviter qu'elles ne sortent de la rainure, puis coudre jusqu'à la base de l'ouverture.

* Si l'on effectue la couture avec les dents de la fermeture sur la droite, le côté gauche du pied devra être aligné sur les dents gauches de la fermeture à glissière.



Pied 1/4"/pouce

- Réglages de la machine à coudre :
Longueur de point = 2 - 2,5 mm
- Vous pouvez piquer un rentré constant (1/4"/pouce, 6,4 mm) quand vous cousez ensemble une ouate.
- Utilisez les repères de guidage pour commencer, terminer ou pivoter de 6,4 mm (1/4"/pouce) du bord du tissu.
- Surpiquez de manière précise à 1/8"/pouce (3,2 mm) de la couture.

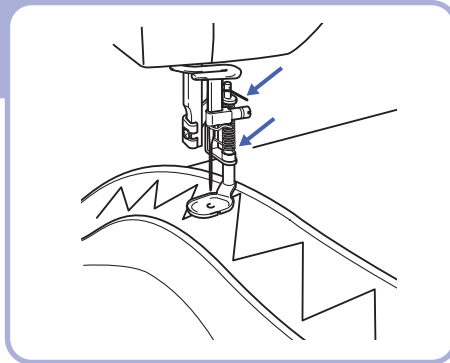


Pied pour quilting (courtepointe) en mouvement libre

Réduisez la pression du pied (page 36) et tournez le bouton de réglage des griffes d'entraînement (page 37) sur la machine en abaissant les griffes d'entraînement pour le quilting (courtepointe) en mouvement libre.

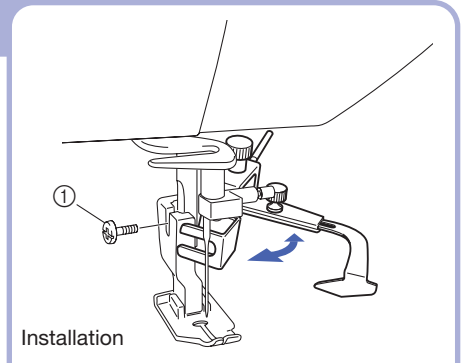
Remarque

- Si l'on utilise fréquemment le pied, bien appliquer une petite quantité d'huile environ une fois par mois à l'endroit indiqué par la flèche. (Si l'on a mis trop d'huile, essuyez l'excédent avec un chiffon.)
- Pour de meilleurs résultats quand vous utilisez des fils métalliques ou monofilament pour le quilting (courtepointe) en mouvement libre, cousez avec un fil de bonne qualité, réglez la tension supérieure sur 1-2 et utilisez une aiguille métallique.
- Tout d'abord, tirez le fil de la canette vers le haut si nécessaire.



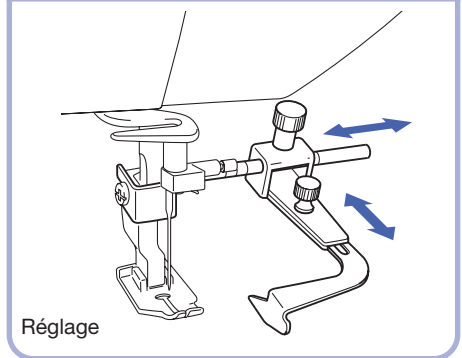
Guide de couture

- ① Serrez la vis avec un tournevis sinon elle pourrait se desserrer en raison des vibrations.



Installation

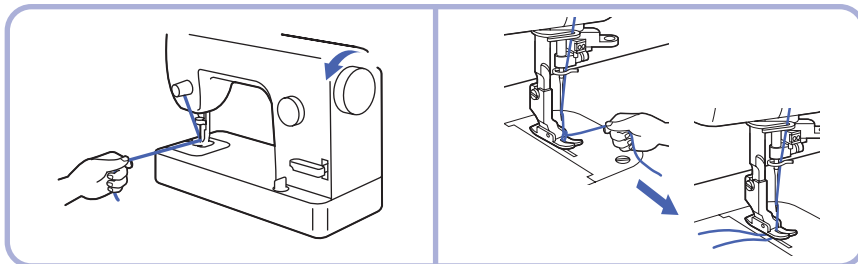
Tournez les vis de réglage comme suggéré par les flèches de l'image pour régler la position du guide de couture.



Réglage

Faire remonter le fil de la canette

Tout en tenant légèrement l'extrémité du fil supérieur, faites tourner lentement le volant vers vous (dans le sens inverse des aiguilles d'une montre) à la main pour abaisser puis relever l'aiguille. Pour extraire l'extrémité du fil de la canette, tirez doucement le fil supérieur vers le haut.



Entretien de la machine à coudre

Nettoyage de la machine

⚠ ATTENTION

Bien éteindre la machine avant de procéder au nettoyage de la machine à coudre. Vous risquez de vous blesser si vous appuyez accidentellement sur la pédale.

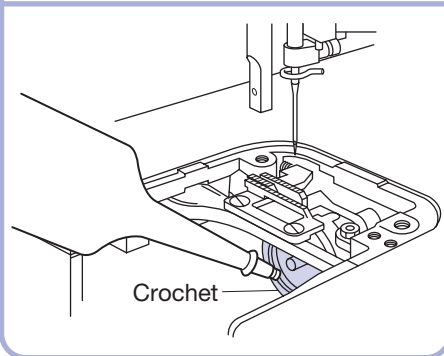
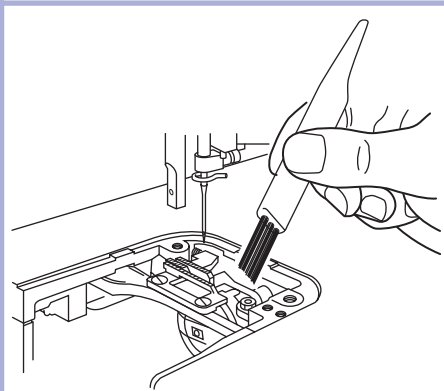
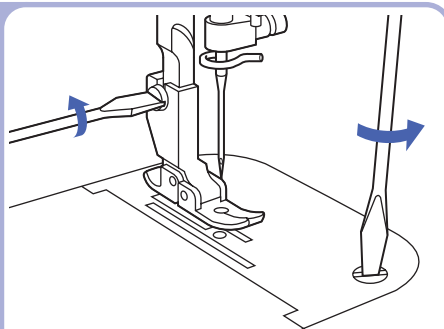
- ① Eteindre la machine.
- ② Retirez le pied-de-biche.
- ③ Retirez la plaque à aiguille.
- ④ Enlevez la poussière et les restes de fil.

* Il est possible d'enlever les restes de fil par le volet de la canette.

- ⑤ Lorsque la section sous la plaque à aiguille est nettoyée, lubrifiez le crochet du boîtier de la canette avec de l'huile de machine à coudre.

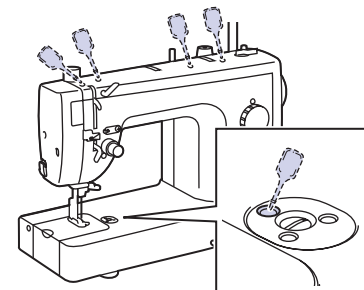
* Utilisez un chiffon pour essuyer l'excédent d'huile sur la machine.
* Utilisez exclusivement une huile de machine à coudre de qualité supérieure.

- ⑥ Remettre la plaque à aiguille et le pied-de-biche en place.



Points de graissage

- Lors d'un usage journalier de la machine, appliquez quelques gouttes d'huile* à chaque emplacement indiqué, deux fois par mois.
- * Utilisez un chiffon pour essuyer toute l'huile renversée sur la machine aux alentours des points de graissage.
- * Utilisez exclusivement une huile de machine à coudre de qualité supérieure.

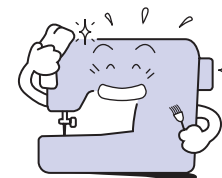


■ Maintenir la machine à coudre constamment propre

Pour essuyer la saleté de la machine, essorez fermement un chiffon doux imbibé d'eau (tiède). Après avoir nettoyé la machine, essuyez-la avec un chiffon doux et sec.

■ Précautions

Éloignez la machine à coudre des sources de chaleur telles que fer à repasser et appareil de chauffage. Ne pas utiliser de produits chimiques tels que benzène ou diluant pour nettoyer la machine. Quand on ne se sert pas de la machine, la ranger à l'abri des rayons du soleil.



Élément	Spécification
Dimensions de la machine	460 mm (L) × 195 mm (P) × 320 mm (H) (Environ 18-1/8"/pouces (L) × 7-11/16"/pouces (P) × 12-19/32"/pouces (H))
Poids de la machine	10,8 kg (Environ 24 lb)
Vitesse de couture	40 à 1500 points par minute

Dépannage

* Avant de faire réparer la machine à coudre, vérifiez le tableau suivant. Vous pouvez résoudre vous-même la plupart des problèmes.



● Si vous ne parvenez toujours pas à résoudre le problème, rappez la machine à votre revendeur Baby Lock agréé le plus proche pour la faire réparer.

Le volant ne tourne pas

Le fil s'emmêle.
Réenfiler la machine. Nettoyer le boîtier de la canette et sous la plaque à aiguille. Graisser la machine. 41-44.52

L'aiguille est mal fixée.
Fixer à nouveau l'aiguille. 38

L'aiguille est tordue, ou son extrémité est émoussée.
Changer d'aiguille. 38

Le fil est emmêlé sur l'envers du tissu

Le fil supérieur n'est pas bien enfilé.
Réenfiler la machine correctement. 42

La tension du fil supérieur est trop faible.
Augmentez la tension. 45

Il est possible que le boîtier de la canette soit rayé.
Retirer la plaque à aiguille et vérifier le boîtier de canette.

* Si le volant est difficile à tourner, vous pouvez également consulter la section « La machine ne marche pas » du chapitre « Dépannage ».

Quand le dispositif de sécurité est activé

Si un problème persiste même après avoir suivi les mesures données sous « La machine ne marche pas » dans la section « Dépannage », il est possible que le dispositif de sécurité de la machine soit activé.

Symptôme	Cause/solution
La machine ne fonctionne pas. Le voyant indicateur a clignoté pendant quelques secondes.	La machine est bloquée parce que le fil est emmêlé, etc. Mettez hors tension, éliminez le fil emmêlé et nettoyez la machine. (page 52)
La machine s'est arrêtée et ne fonctionne plus. Le voyant indicateur clignote lentement en continu.	La pédale doit être remplacée ou la machine réparée. Contactez votre revendeur Baby Lock.

* La machine ne fonctionnera pas pendant environ 1 seconde immédiatement après la mise sous tension ou après l'insertion ou le retrait de la prise de la pédale.

● Si vous ne parvenez toujours pas à résoudre le problème, rappez la machine à votre revendeur Baby Lock agréé le plus proche pour la faire réparer.





English
French
884-T79



D02F7M-001